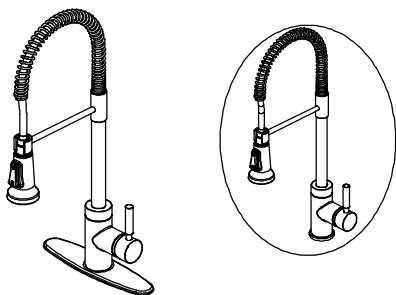


# Premier®

Brand Kitchen Faucets



Model Number: 120333LF & 120334LF

## INSTALLATION

### Tools:

Adjustable wrench



Pipe tape



Pipe wrench



Groove joint pliers



Basin wrench



screwdriver



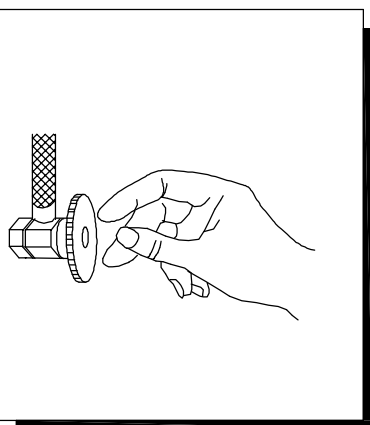
Plumber's putty



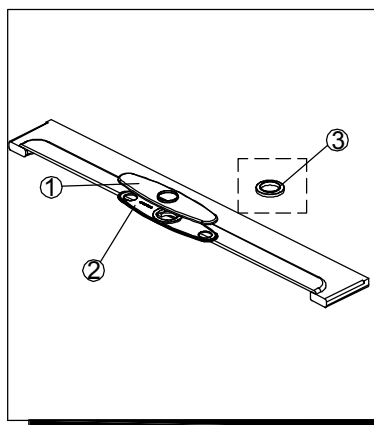
### Cleaning:

To maintain and protect the fine luster of all products. Clean with a soft damp cloth only. DO NOT USE detergents or cleanser as they may harm the protective finish.

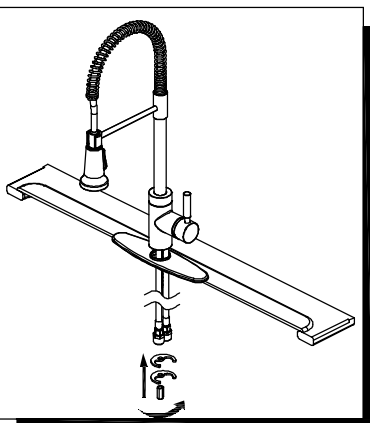
## INSTALLATION STEPS: Single handle Kitchen faucet



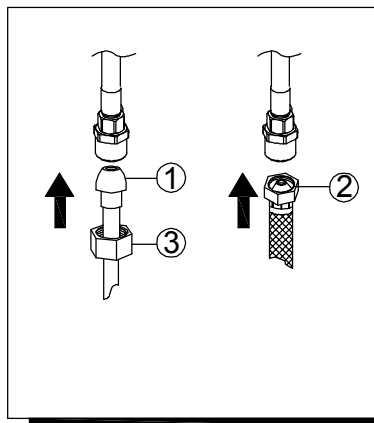
1. Shut off water supply at angle stop. Remove old faucet. Clean sink surface in preparation for new faucet.



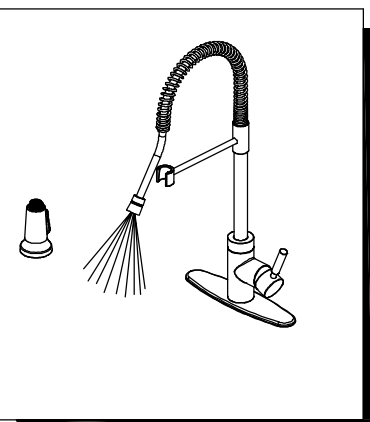
2. Place base plate (2) and escutcheon (1) on the sink. If you do not use escutcheon, please use seat (3) to replace escutcheon and base plate.



3. Insert supply hose assembly and thread rod through hole of sink (through center hole of escutcheon if used). Install rubber washer, metal washer and retaining nut onto the thread rod. Firmly tighten retaining nut. Do not overtighten.

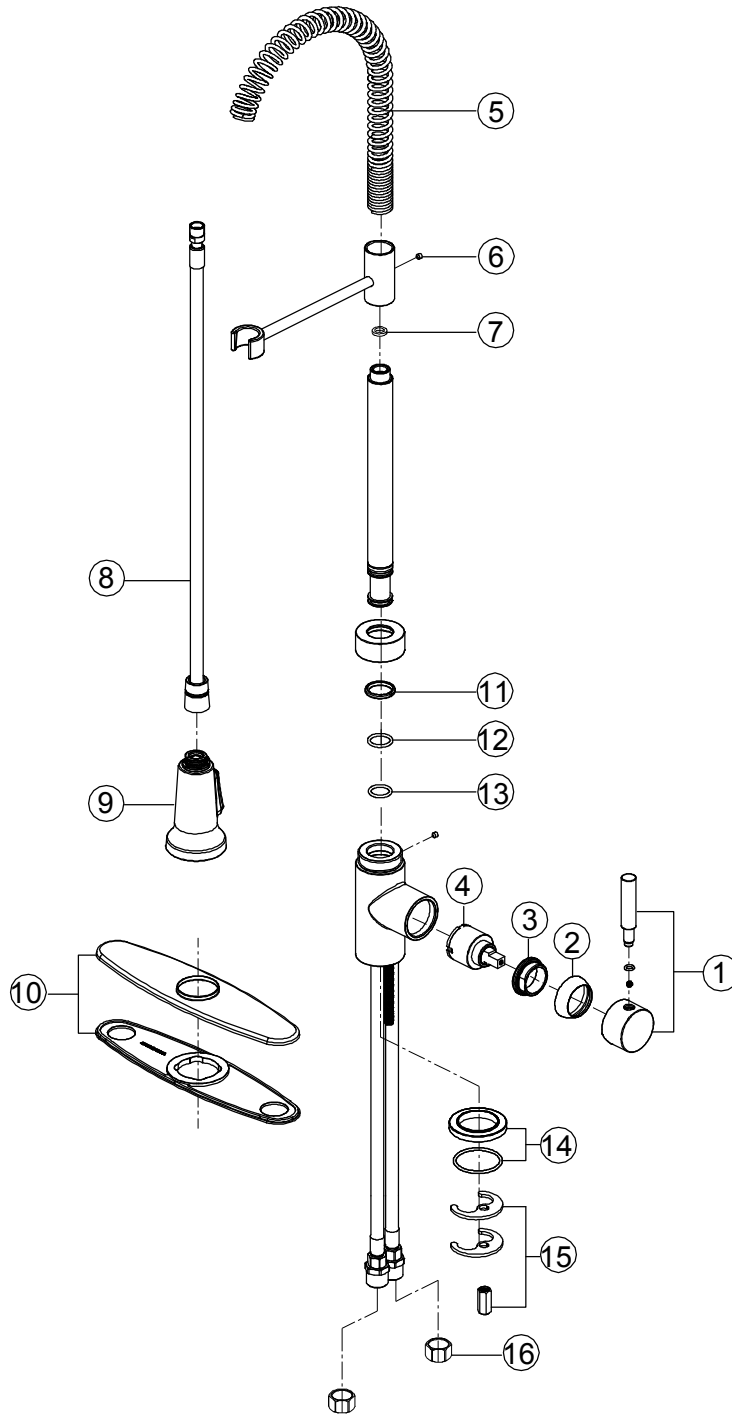


4. Make Connections to water lines: Choose hook-ups for 1/2" I.P.S. connections: (1) Ball nose riser (3/8" O.D. copper tubing), or (2) 1/2" I.P.S. faucet connector. Use coupling nuts (3) with the ball nose risers (1). Use wrenches when tightening. Do not overtighten.



5. Faucet Operation and Inspection  
Turn on hot and cold water supplies. Remove the sprayer. Be sure to hold the end of the hose down into the sink and turn faucet handle to the mixed position. Flush water lines for one minute. Check for leaks. Re-tighten if necessary, but do not overtighten. Reassemble the sprayer to the hose.

Parts List



MODEL NO. 120333LF			
NO.	PART DESCRIPTION	PART NO.	QTY.
1	Handle Assembly	14	1
2	Bonnet Cap	16	1
3	Bonnet Nut	18	1
4	Ceramic Cartridge	994658	1
5	Spring	19	1
6	Set Screw	20	1
7	Washer	21	1
8	Spray Hose	22	1
9	Sprayer	23	1
10	3 Hole Deck Plate Kit	25	1
11	Ring	27	1
12	O-Ring	28	1
13	O-Ring	29	1
14	Lower Escutcheon Kit	30	1
15	Mounting Kit	32	1
16	Coupling Nuts	4CP308	2

MODEL NO. 120334LF			
NO.	PART DESCRIPTION	PART NO.	QTY.
1	Handle Assembly	15	1
2	Bonnet Cap	17	1
3	Bonnet Nut	18	1
4	Ceramic Cartridge	994658	1
5	Spring	19	1
6	Set Screw	20	1
7	Washer	21	1
8	Spray Hose	22	1
9	Sprayer	24	1
10	3 Hole Deck Plate Kit	26	1
11	Ring	27	1
12	O-Ring	28	1
13	O-Ring	29	1
14	Lower Escutcheon Kit	31	1
15	Mounting Kit	32	1
16	Coupling Nuts	4CP308	2