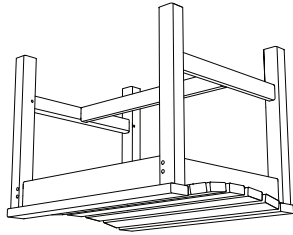


ITEM - BR24  
 BACKLESS BENCH - 2'



*About Shorea Wood*

Shorea is a tropical hardwood that is comparable to teak. Because of its high oil content it is resistant to rotting, bug infestation, and the effects of wind, rain, sun, and snow. If left untreated shorea weathers naturally to a beautiful silver gray color. Some surface roughness may develop, especially at the end grain, but over a period of about one year, the natural weathering process will stabilize. Moderate checking in the grain is normal with exposure to the elements. Small surface cracks that may appear in no way affect the structural integrity of the furniture. As weather conditions and temperatures fluctuate these small cracks may expand and contract.

*Wood Care Instruction*

To prevent the staining of concrete or tile the furniture should be rinsed well after assembly to remove dust that might remain from the manufacturing process. Although shorea weathers well we recommend a routine application of teak oil or Cabot's Australian Timber Oil in extremely dry climates. A routine oiling is also recommended for furniture to be used for dining purposes to discourage staining from food and drink spills.

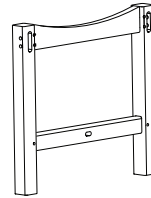
For seasonal cleaning rinse the furniture well and then scrub (using a sponge or soft bristle brush) with a mild solution of water, laundry detergent and a little bleach. Rinse with fresh water.

To restore the original wood color, Oxford Garden suggests applying Cabot's Australian Timber Oil or any high quality teak oil after cleaning. Test in an inconspicuous spot first, to approve the color. Application of oil is at the customer's discretion and is not covered by the warranty. Paint or any products with polyurethane are not recommended, as application of these products will void the warranty as well.

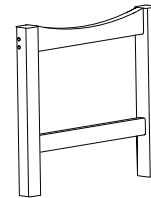
For additional information regarding our warranty, please visit [www.oxfordgarden.com](http://www.oxfordgarden.com)

Components

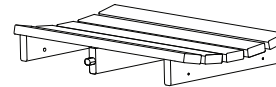
- ① Right Leg Assembly  
 QUANTITY: 1



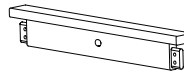
- ② Left Leg Assembly  
 QUANTITY: 1



- ③ Seat  
 QUANTITY: 1



- ④ Back Seat Rail  
 QUANTITY: 1



- ⑤ Front Seat Rail  
 QUANTITY: 1



- ⑥ Bottom Rail  
 QUANTITY: 1



Hardware

- A 8mm Dowel  
 QUANTITY: 10



- B Wood Screw  
 QUANTITY: 10



Finishing Items (included)

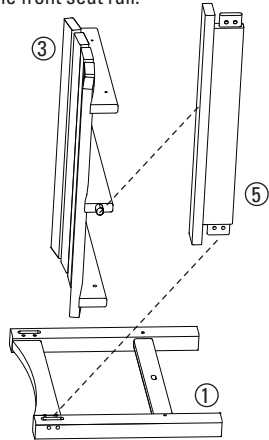
Medium Grit Sandpaper

NOTE: A hammer and a phillips head screwdriver (not provided) will be needed for the assembly of this bench.

NOTE: If the furniture is going to be placed on a concrete or tile patio, it should first be rinsed well to remove the sawdust that may cause some staining.

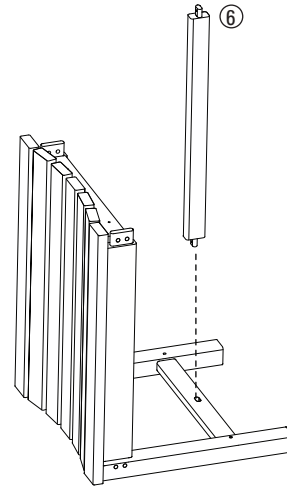
## Step 1

On a clean flat surface, lay right leg assembly ① on its side mortise holes facing up. Locate the small label on the bottom of the seat that reads "front". With the front of the seat toward the front of the bench, line up and insert the front seat rail ⑤ and seat ③ into the right leg assembly. Insert the large rounded pegs at the front of the seat into the front seat rail.



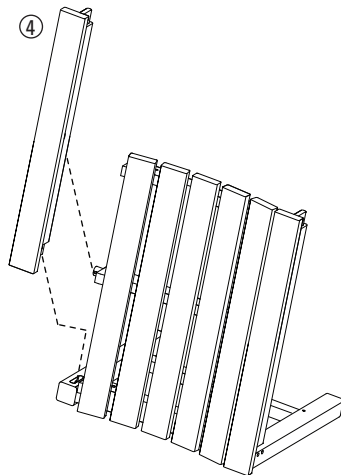
## Step 3

Insert the tenon of the bottom rail ⑥ into the mortise of the right arm assembly.



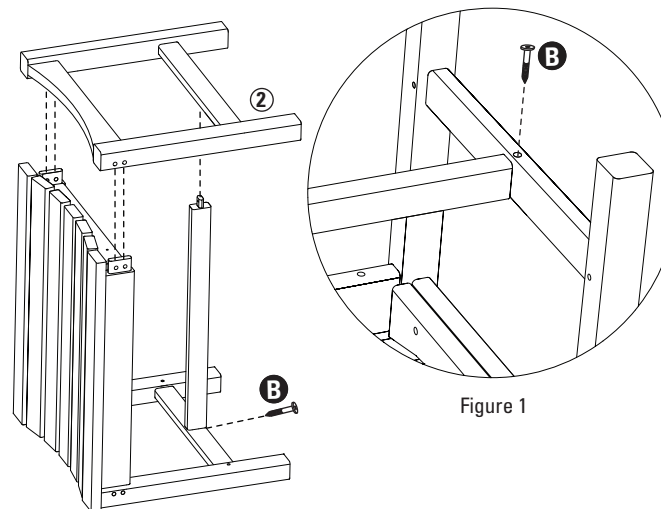
## Step 2

Place back seat rail ④ into position, holes facing inward. Insert the large rounded pegs at the back of the seat into the back seat rail.



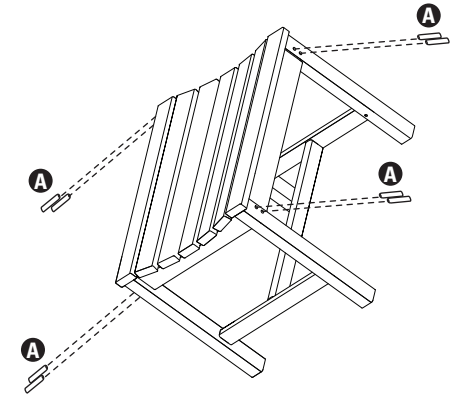
## Step 4

Insert the left leg assembly ② into the rest of the assembled parts. Secure the bottom rail by inserting a wood screw ⑧ through the under part of each leg as shown in figure 1 below.



## Step 5

With a hammer, drive 8 dowels ⑨ into the predrilled holes as shown. NOTE: Insert the tapered end of the dowels first. The dowels should be easily driven in flush. If there is strong resistance, do not force the dowel. Sand to smooth off areas around the dowel pins.



## Step 6

Using a phillips head screwdriver, screw the remaining six wood screws ⑩ into the predrilled holes on the underside of the seat to attach the seat back, front rail and leg assemblies as shown.

