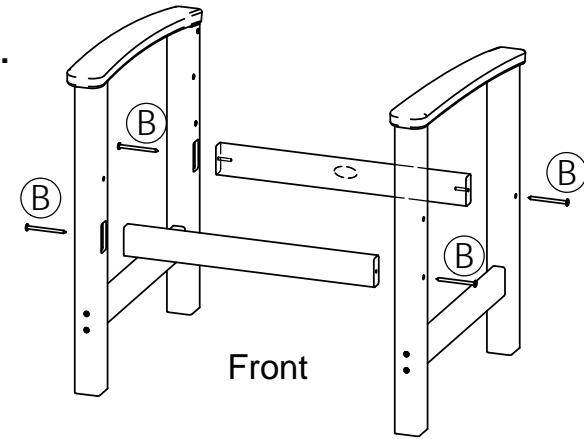


MODEL: 1910

- (2) Side frames RH/LH
- (1) Seat assembly
- (1) Back assembly
- (1) Medallion brace
- (1) Front brace
- (1) Hardware pack

STEP 1
Attach braces into pockets on side frames using (4) 3" screws

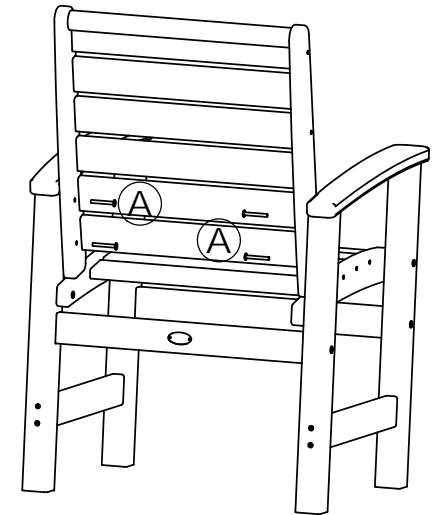
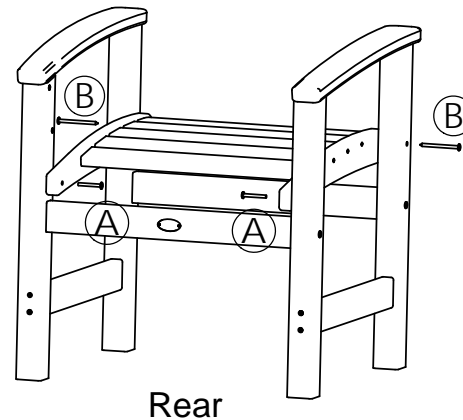
Do not tighten screws until last step.



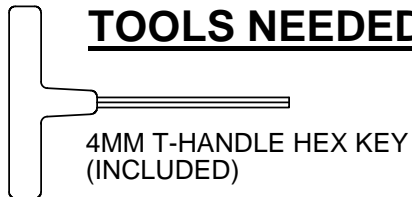
STEP 2
Attach seat assembly to side frames using (2) 3" screws for front legs and (2) 1-3/4 bolts for back legs.

STEP 3
Attach back assembly to side frames using (4) 1-3/4 bolts.

Tighten all screws.



TOOLS NEEDED



QTY	DESCRIPTION
6	A - 1/4-20 X 1-3/4 WAFER SHCS
6	B - .27 X 3 SOCKET WAFER "A"