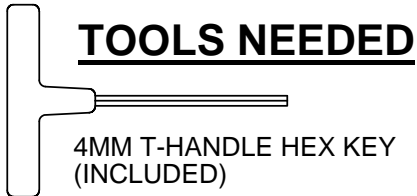


MODEL 9010

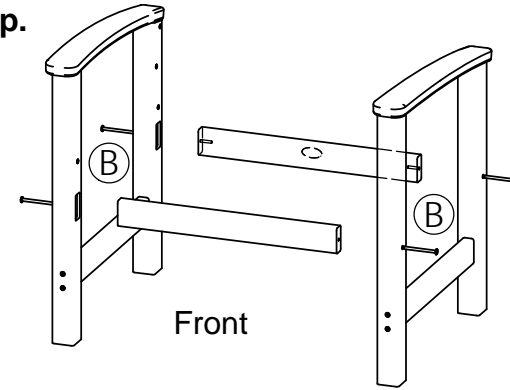
- (2) SIDE FRAMES RH/LH
- (1) SEAT ASMB
- (1) BACK ASMB
- (1) MEDALLION BRACE
- (1) BRACE
- (1) HARDWARE PACK



STEP 1

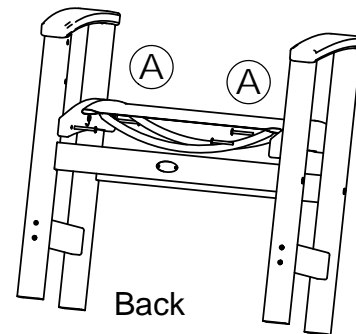
Attach braces into pockets on side frames using (4) 3" screws.

Do not tighten screws until last step.



STEP 2

Attach seat assembly to side frames using (4) 1-3/4 bolts..



QTY	DESCRIPTION
8	A - 1/4-20 X 1-3/4 WAFER SHCS
4	B - .27 X 3 SOCKET WAFER "A"

STEP 3

Attach back assembly to side frames using (4) 1-3/4 bolts.

Tighten all screws.

