



Intelligent Design™

Model: AD7030

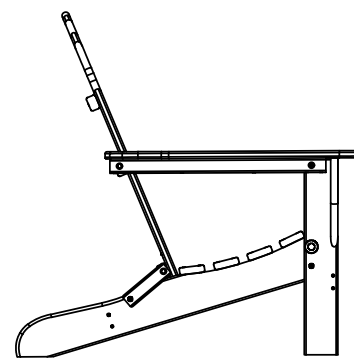
Step 1

Unfold chair assembly

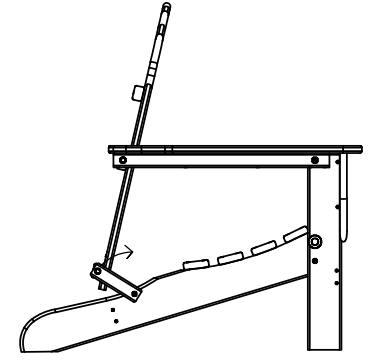
Step 2

Insert (2) 2 1/4" bolts, washers and locknuts into pre-drill holes
Then insert pins

Step 1



Correct



Incorrect

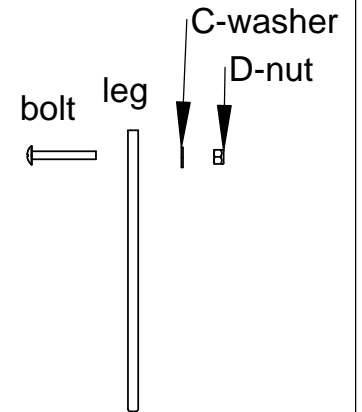
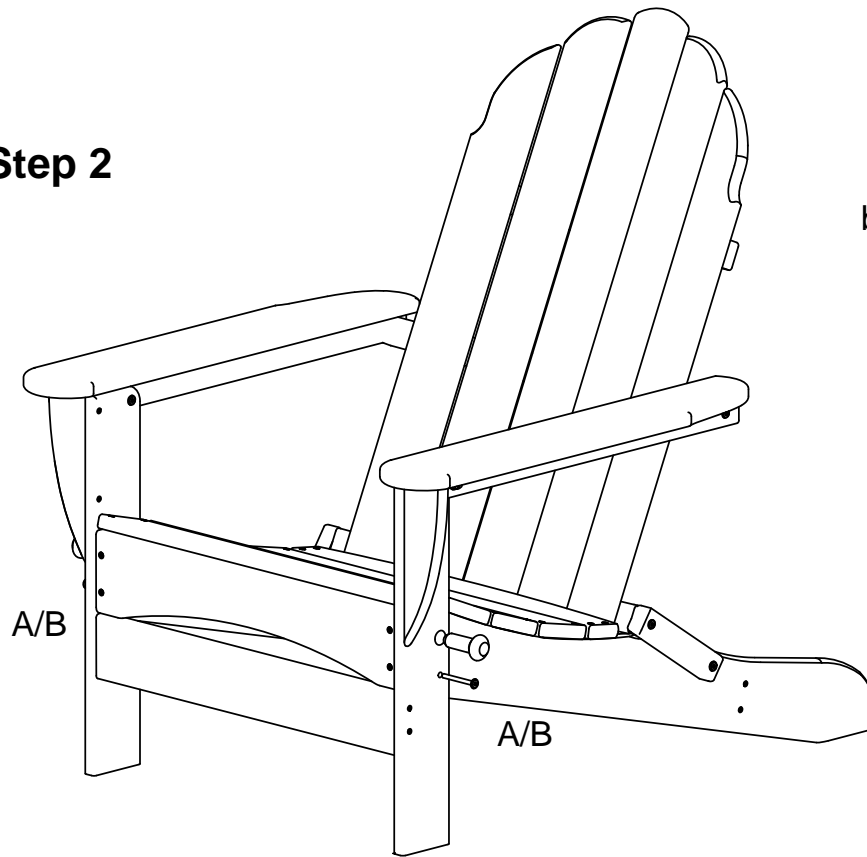
TOOLS NEEDED



7/16 wrench

4MM HEX KEY, ALLEN, T-HANDLE
(included)

Step 2



Qty.	Description
------	-------------

2	A-3/4 X 2 ADIRONDACK PIN HDPE
---	-------------------------------

2	B-1/4-20 X 2-1/4 WAFER SHCS
---	-----------------------------

2	C - 1/4 FLAT WASHER
---	---------------------

2	D - 1/4-20 NYLOCK NUT
---	-----------------------