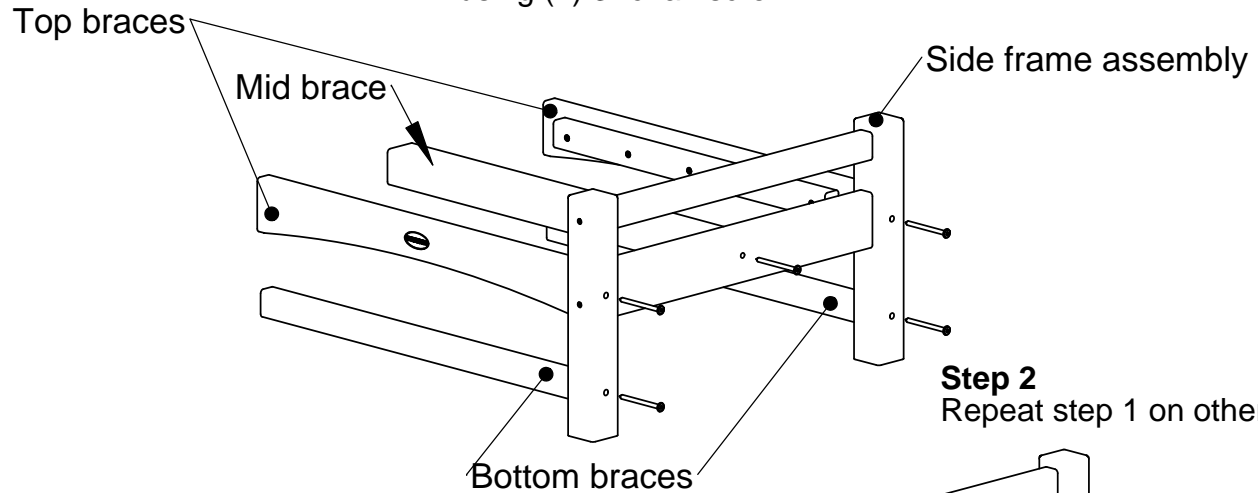


Model: CLO23

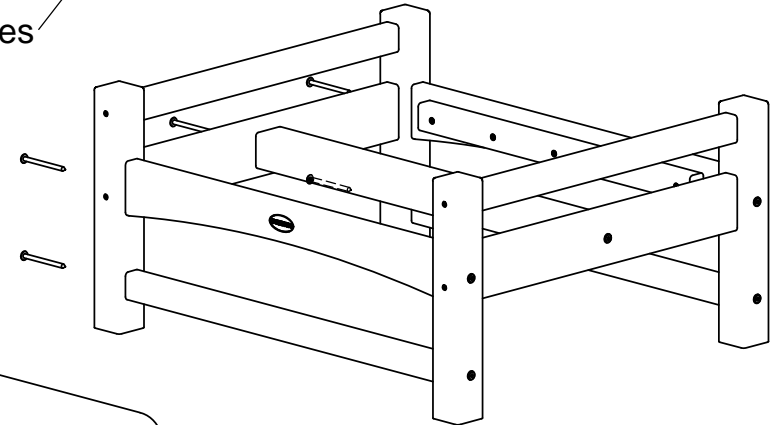
Step 1

- Attach bottom braces and top braces to sideframe using (4) 3" chair screws
- Attach mid brace to sideframe using (1) 3" chair screw



Step 2

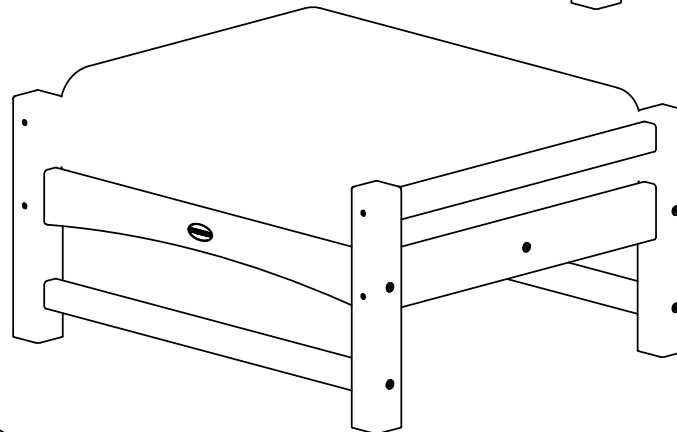
Repeat step 1 on other side frame



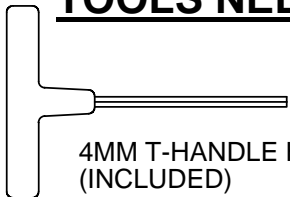
- (2) Sideframe assembly
- (2) Bottom braces
- (1) Mid brace
- (2) Top braces
- (1) Ottoman cushion
- (1) Hardware pack

Step 3

Set cushion in ottoman



TOOLS NEEDED



4MM T-HANDLE HEX KEY (INCLUDED)

Qty.	Description
------	-------------

