



Intelligent Design™

Model: TGB60

Step 1

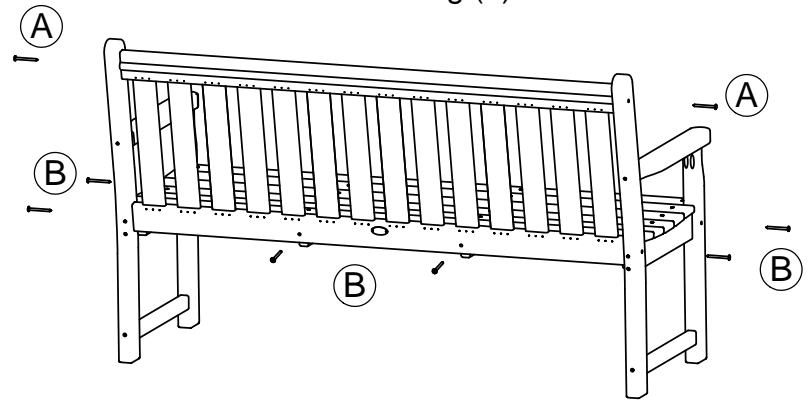
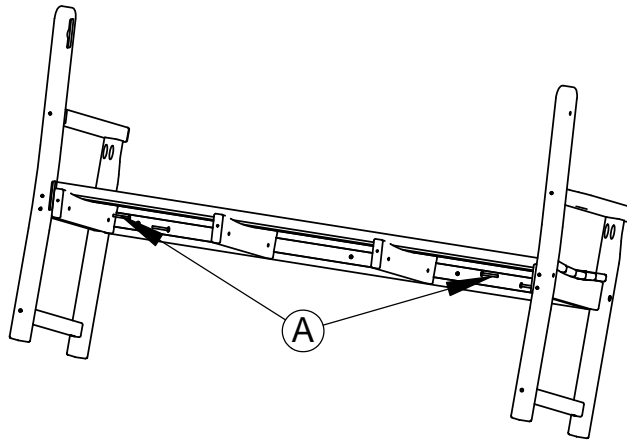
Attach sideframes to seat using (4) 1 3/4" chair bolts DO NOT TIGHTEN!!

Step 2

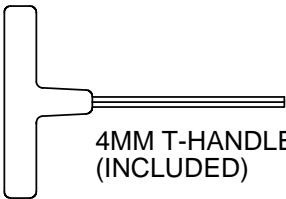
- Attach back to sideframes using (2) 1 3/4" chair bolts into the tube on top and (4) 2 1/2" screws on bottom

- Attach center of the back to the seat using (2) 2 1/2" screws

- (1) Seat
- (1) Back
- (2) Sideframes
- (1) Hardware pack



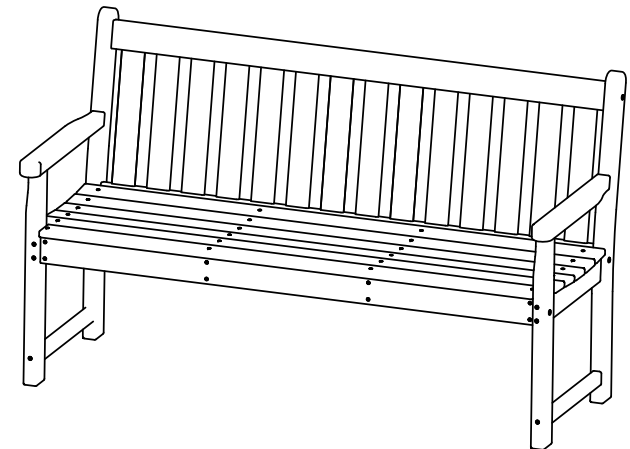
TOOLS NEEDED



4MM T-HANDLE HEX KEY (INCLUDED)

Step 3

Tighten the 1 3/4" chair bolts from Step 1



Qty.	Description
6	A - 1/4-20 X 1-3/4 WAFER SHCS
6	B - .27 X 2 1/2 SOCKET WAFER "A"