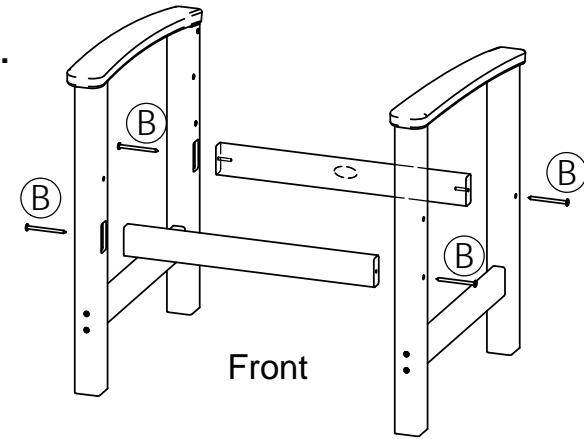


## MODEL: 1910

- (2) Side frames RH/LH
- (1) Seat assembly
- (1) Back assembly
- (1) Medallion brace
- (1) Front brace
- (1) Hardware pack

**STEP 1**  
Attach braces into pockets on side frames using (4) 3" screws

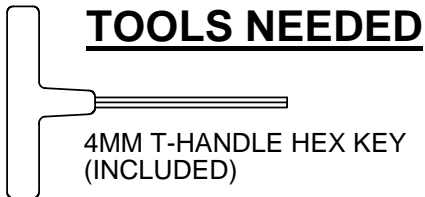
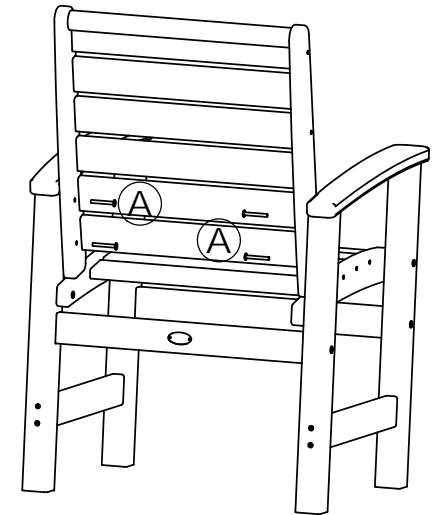
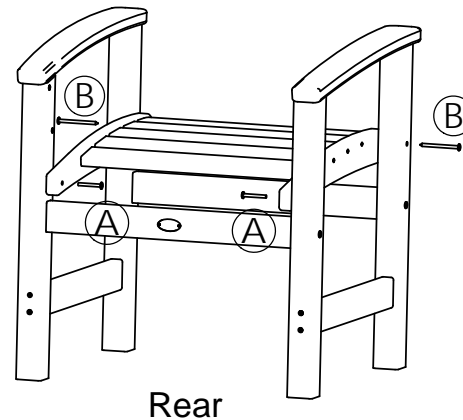
**Do not tighten screws until last step.**



**STEP 2**  
Attach seat assembly to side frames using (2) 3" screws for front legs and (2) 1-3/4 bolts for back legs.

**STEP 3**  
Attach back assembly to side frames using (4) 1-3/4 bolts.

**Tighten all screws.**

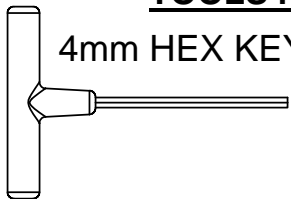


QTY	DESCRIPTION
6	A - 1/4-20 X 1-3/4 WAFER SHCS
6	B - .27 X 3 SOCKET WAFER "A"

Models: RT248, RCT248, RRT248, RBT248  
RT348, RCT348, RRT348, RBT348

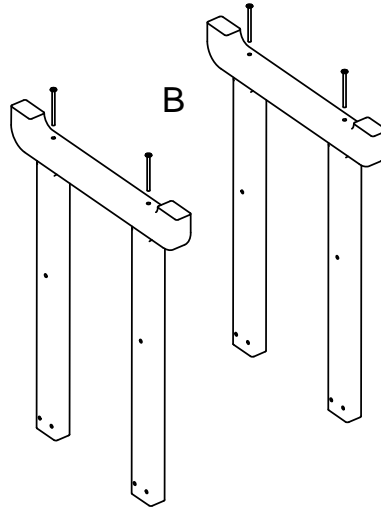
- (1) Table top
- (4) Leg
- (2) Foot
- (2) Brace
- (1) Hardware pack

### TOOLS NEEDED

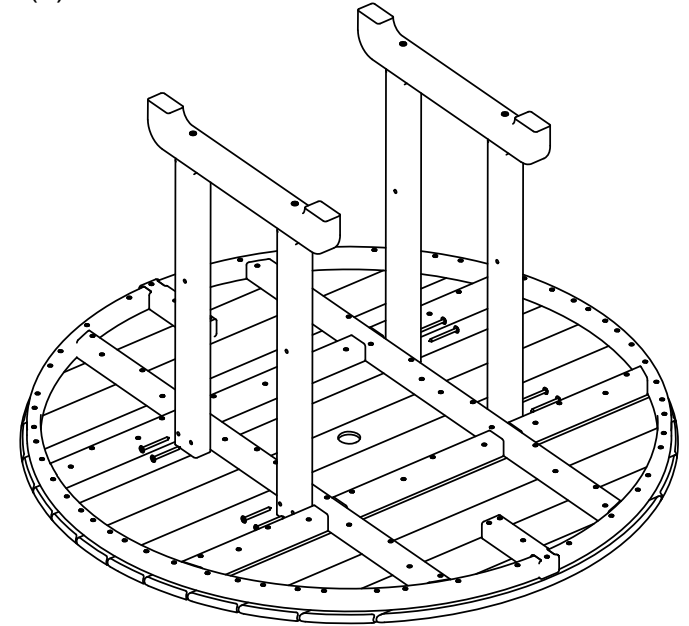


4mm HEX KEY: INCLUDED

**Step 1**  
Attach feet to legs using  
(4) 3 1/4" Chair bolts.

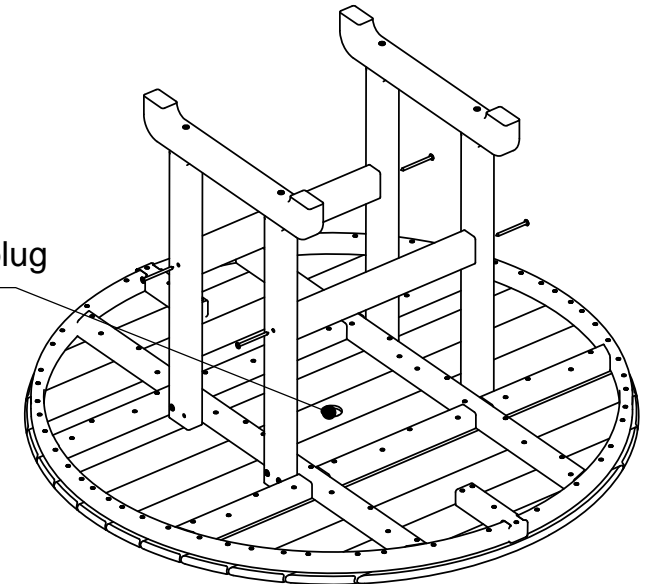


**Step 2**  
Lay the table top on a flat surface.  
Attach the leg assemblies to the table top using  
(8) 3" screws.



**Step 3**  
Attach leg braces using  
(4) 3" screws.

Set table upright and tighten all bolts



Qty.	Description
12	A - 14 X 3 SOCKET WAFER "B"
4	B - 1/4-20 X 3-1/4 WAFER SHCS FINE THREAD