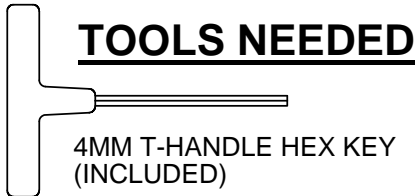


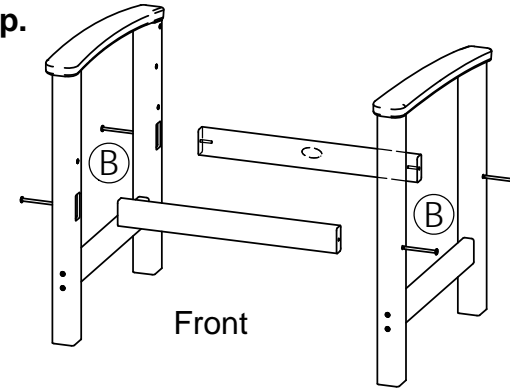
MODEL 9010

- (2) SIDE FRAMES RH/LH
- (1) SEAT ASMB
- (1) BACK ASMB
- (1) MEDALLION BRACE
- (1) BRACE
- (1) HARDWARE PACK

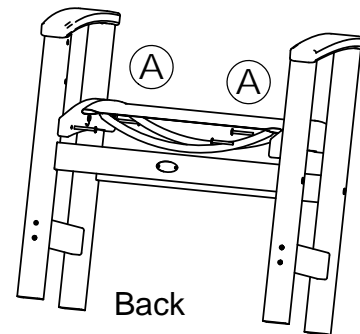


STEP 1
Attach braces into pockets on side frames using (4) 3" screws.

Do not tighten screws until last step.



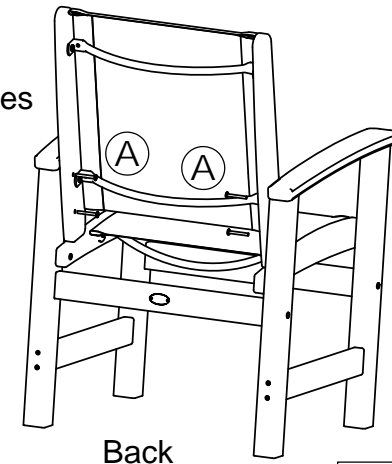
STEP 2
Attach seat assembly to side frames using (4) 1-3/4 bolts..



QTY	DESCRIPTION
8	A - 1/4-20 X 1-3/4 WAFER SHCS
4	B - .27 X 3 SOCKET WAFER "A"

STEP 3
Attach back assembly to side frames using (4) 1-3/4 bolts.

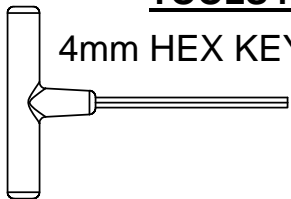
Tighten all screws.



Models: RT248, RCT248, RRT248, RBT248
RT348, RCT348, RRT348, RBT348

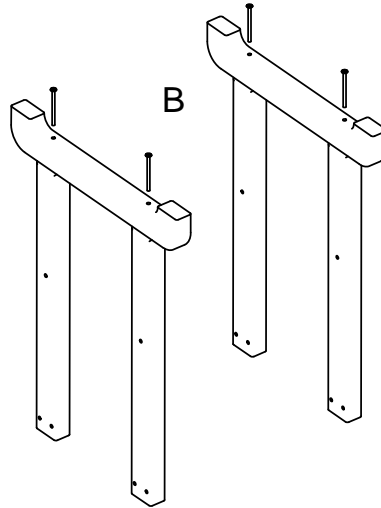
- (1) Table top
- (4) Leg
- (2) Foot
- (2) Brace
- (1) Hardware pack

TOOLS NEEDED

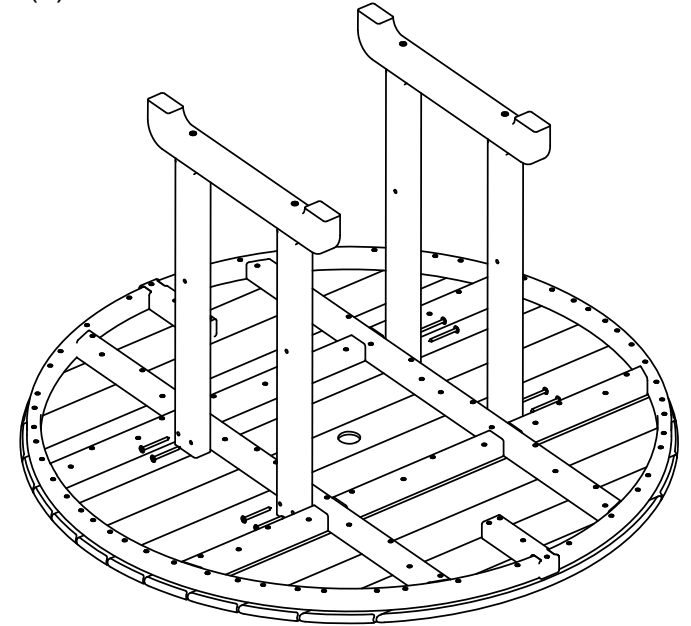


4mm HEX KEY: INCLUDED

Step 1
Attach feet to legs using
(4) 3 1/4" Chair bolts.

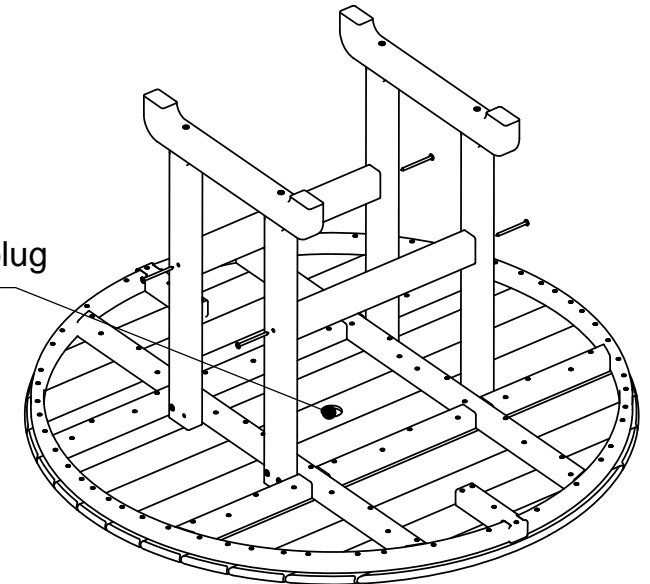


Step 2
Lay the table top on a flat surface.
Attach the leg assemblies to the table top using
(8) 3" screws.



Step 3
Attach leg braces using
(4) 3" screws.

Set table upright and tighten all bolts



Qty.	Description
12	A - 14 X 3 SOCKET WAFER "B"
4	B - 1/4-20 X 3-1/4 WAFER SHCS FINE THREAD

Removable table plug
included in table