

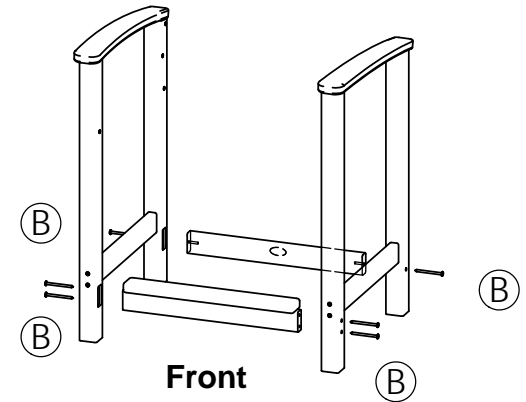
MODEL: 9011-12

- (2) Side frames RH/LH
- (1) Seat assembly
- (1) Back assembly
- (1) Medallion brace
- (1) Foot rest
- (1) Hardware pack

## STEP 1

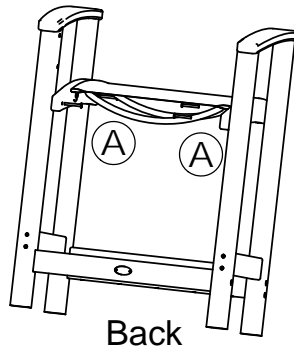
Attach foot rest and brace into pockets on side frames using (6) 3" screws.

**Do not tighten screws until last step.**

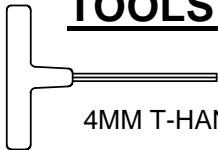


## STEP 2

Attach seat assembly to side frames using (4) 1-3/4 bolts.



## TOOLS NEEDED

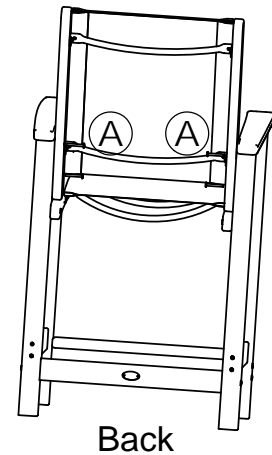


4MM T-HANDLE HEX KEY (INCLUDED)

## STEP 3

Attach back assembly to side frames using (4) 1-3/4 bolts.

**Tighten all screws.**

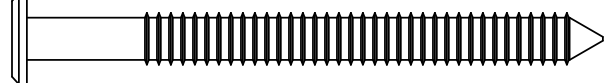


QTY	DESCRIPTION
8	A - 1/4-20 X 1-3/4 WAFER SHCS
6	B - .27 X 3 SOCKET WAFER "A"

8



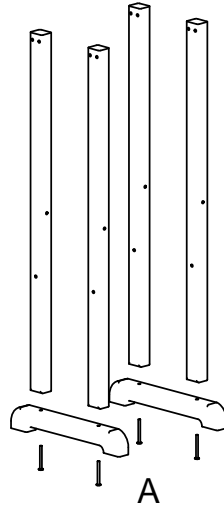
6



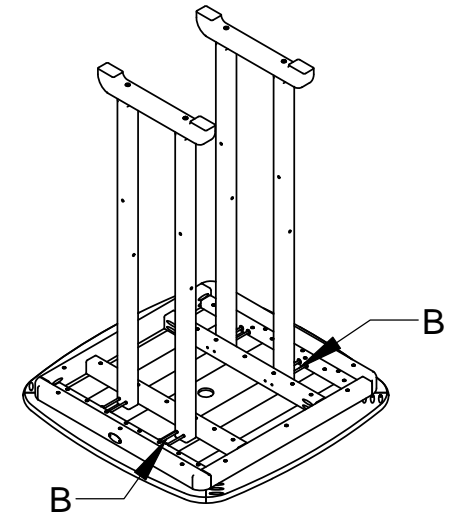
Model: NCBT31 & LB31

- (1) Table top
- (4) Leg
- (2) Foot
- (2) Long Braces
- (2) Short Braces
- (2) Hardware pack (Table\Leg Kit)

**Step 1**  
Attach feet to legs using (4) 2½" Chair bolts.



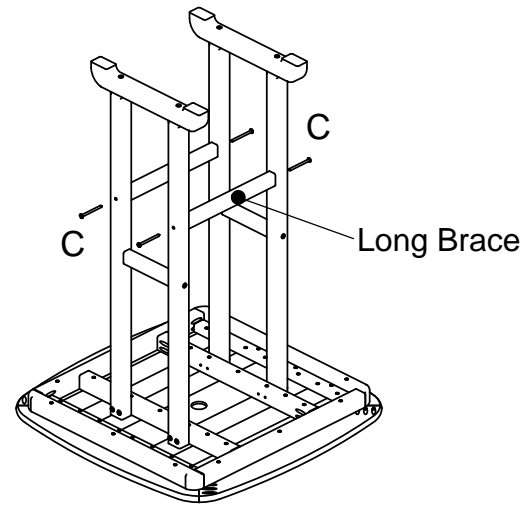
**Step 2**  
Lay table top on flat surface.  
Attach the leg assemblies to the table frame using (8) .27x2-1/2" screws



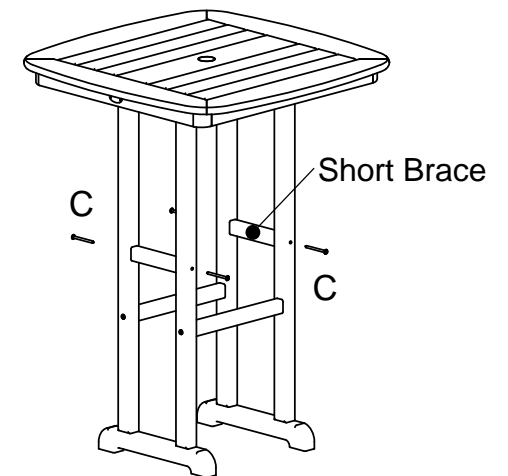
## TOOLS NEEDED

4mm HEX KEY: INCLUDED

**Step 3**  
Attach Long leg braces to the leg assemblies using (4) .27x3" screws



**Step 4**  
Attach Short leg braces to the leg assemblies using (4) .27x3" screws



Qty.	Description
4	A - 1/4-20 X 2-1/2 WAFER SHCS
8	B - .27 X 2-1/2 SOCKET WAFER "A"
8	C - .27 X 3 SOCKET WAFER "A"

