

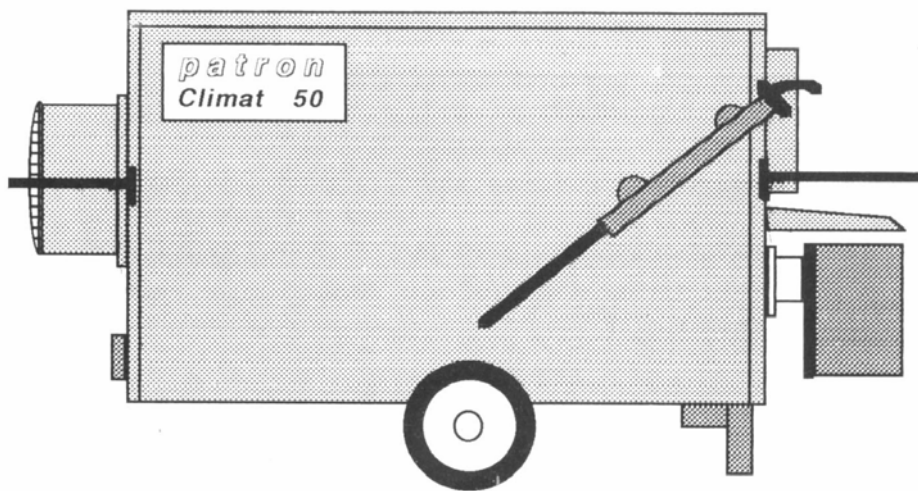
PATRON CLIMAT

OIL FIRED CONSTRUCTION HEATERS

MODELS 40, 50 AND 130

OWNER'S MANUAL

HEATER SIZES 135,000 and 195,000 and 570,000 BTU/Hr



GENERAL HAZARD WARNING

FAILURE TO COMPLY WITH THE PRECAUTIONS AND INSTRUCTIONS PROVIDED WITH THIS HEATER, CAN RESULT IN DEATH, SERIOUS BODILY INJURY AND PROPERTY LOSS OR DAMAGE FROM HAZARDS OF FIRE, EXPLOSION, BURN, ASPHYXIATION, CARBON MONOXIDE POISONING, AND/OR ELECTRICAL SHOCK.

ONLY PERSONS WHO CAN UNDERSTAND AND FOLLOW THE INSTRUCTIONS SHOULD USE THIS HEATER.

IF YOU NEED ASSISTANCE OR HEATER INFORMATION SUCH AS AN INSTRUCTIONS MANUAL, LABELS ETC. CONTACT THE DISTRIBUTOR.



WARNING

FIRE, BURN, INHALATION, AND EXPLOSION HAZARD.
KEEP SOLID COMBUSTIBLES, SUCH AS BUILDING MATERIALS, PAPER OR CARDBOARD, A SAFE DISTANCE AWAY FROM THE HEATER AS RECOMMENDED BY THE INSTRUCTIONS.
NEVER USE THE HEATER IN SPACES WHICH DO OR MAY CONTAIN VOLATILE OR AIRBORNE COMBUSTIBLES, OR PRODUCTS SUCH AS GASOLINE, SOLVENTS, PAINT THINNER, DUST PARTICLES OR UNKNOWN CHEMICALS.

PATRON PRODUCTS INC.

USA: 60 Clyde Avenue Suite # 4, Buffalo, NY 14215
Canada: 12-110 Ironside Crescent, Scarborough, Ontario M1X 1M2

SAFETY INFORMATION

IMPORTANT!

Read this manual completely and carefully before assembling, operating or servicing this heater. Improper use can cause serious injury or death from fire, explosion, electrical shock or carbon monoxide poisoning.

KEEP THIS MANUAL FOR FURTHER REFERENCE.

Carbon monoxide poisoning starts with symptoms similar to a common flu, with headache, nausea or dizziness.

If you notice these signs, get fresh air at once!

This may be caused by non-sufficient ventilation to provide combustion air for the burner or the heater may not operate properly. Have heater serviced immediately and provide proper ventilation.

Make sure you read and understand all warnings.

- ◆ This heater is intended to be used for temporary heating of buildings, tents, etc.
- ◆ The heater can be placed outdoors and the heat ducted in, or the heater may be placed indoors and the exhaust fumes ducted out. Never use heater indoors without exhaust ducting!
- ◆ Do not use heater where gasoline, paint thinner or other highly flammable vapors or combustible dust are present
- ◆ Check heater for damages before each use. Never use damaged heater
- ◆ Do not block air inlet or outlet of heater
- ◆ Keep children and animals away from heater
- ◆ Use only in well vented areas
- ◆ Note: this heater is thermostat controlled. When plugged, heater may start any time
- ◆ Never move, handle or service an operating, plugged in or hot heater
- ◆ In handling, storing or using fuel, follow all instructions given in this manual and all local and other applicable safety codes
- ◆ Only plug heater to a three-hole electric outlet
- ◆ Unplug heater when not in use

INSTALLATION OF FUEL SUPPLY

WARNING

USE NO. 1 FUEL OIL OR DIESEL FUEL ONLY. DO NOT USE GASOLINE!

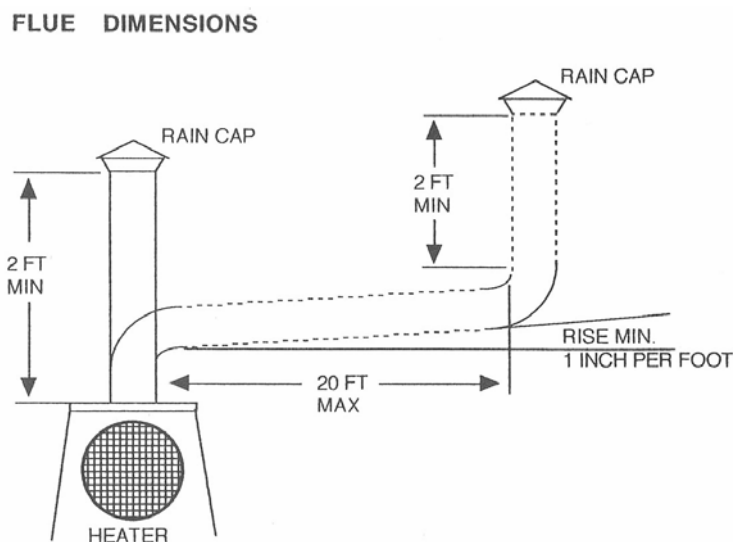
ALL OIL CONNECTION MUST BE CHECKED FOR LEAKS AFTER INSTALLATION OR SERVICING. ALL LEAKS MUST BE CORRECTED AT ONCE.

THE OIL CONTAINER MUST BE LOCATED AT A MINIMUM DISTANCE OF 6 FEET AWAY FROM THE HEATER.

1. Provide oil supply. The oil wand supplied is intended for 55 gallon drum, but other containers may also be used. Always use drums in an upright position. Never place oil container so that oil level is above burner pump. Keep drums out of rain. See applicable standards for "Storage and Handling of Fuels"
2. Make sure there is no water or other impurities in the fuel
3. Open the drum plug and insert the oil wand in drum. Make sure the oil hoses are protected from traffic or other sources of damage

FLUE PIPE

- **WHEN USING THE HEATER INDOORS, ALWAYS INSTALL A FLUE TO EXHAUST GASES OUT.**
- **A MINIMUM TWO-FEET VERTICAL SECTION IS REQUIRED AS TERMINATION OF FLUE. A RAIN CAP IS RECOMMENDED.**
- **WHEN USED OUTDOORS WITH HEAT DUCTED IN, THE USE OF A MIN. 2 FEET FLUE WITH A RAIN CAP IS HIGHLY RECOMMENDED.**
- **ISOLATE THE FLUE WELL FROM ALL COMBUSTIBLE MATERIALS.**



THE MANUFACTURER RECOMMENDS A MINI-

TURER RECOMMENDS A MINIMUM CHIMNEY

VENTILATION

If the heater is located indoors, provide a fresh air opening for the burner combustion air of the following sizes:

- ◆ For Climat 40; min. 1,0 square feet
- ◆ For Climat 50; min. 1,5 square feet
- ◆ For Climat 130; min. 6,5 square feet

WARNING!

**FAILURE TO PROVIDE PROPER FRESH AIR VENTILATION CAN RESULT TO
SERIOUS MALFUNCTION OF THE BURNER AND LACK OF OXYGEN
IN THE WORKING AREA.**

**PROVIDE VENTILATION BEFORE RUNNING HEATER AND
DURING THE WHOLE HEATING PERIOD.**

DUCTING

CAUTION!

**USE ONLY DUCT MADE OF METAL OR MINERAL MATERIALS NOT SUBJECT
TO DETERIORATION FROM MILDEW OR MOISTURE.**

**MATERIAL SHALL COMPLY WITH THE REQUIREMENTS OF
UL-STANDARD UL 214.**

- ◆ Use steel or canvas ducting capable to withstand max. temperatures of 250 °F
- ◆ Max. length of duct 25 feet, min. diameter 12 inches
- ◆ Avoid sharp bends and corners to allow maximum air flow
- ◆ Using insulated duct helps to minimize heat losses in duct

OPERATION

REVIEW AND UNDERSTAND ALL WARNINGS IN THIS MANUAL. THEY ARE ESSENTIAL FOR SAFE USE OF THE HEATER. FOLLOW ALL LOCAL CODES.

WARNING!

**DO NOT START HEATER IF EXCESS OIL HAS ACCUMULATED
IN THE COMBUSTION CHAMBER.**

**DO NOT FILL OIL TANK OR SWITCH DRUMS WHILE HEATER IS RUNNING.
DO NOT SHUT OFF HEATER BY DISCONNECTING POWER SUPPLY CORD.**

READ SEPARATE BURNER MANUAL FOR BURNER INSTRUCTIONS!

TO START HEATING

1. Make sure you have read, understood and followed all installation, ventilation and safety instructions in this manual
2. Place the heater on a stable and level surface. Make sure that no explosive or combustible fumes or dust are present. Protect heater from strong drafts or wind. See that the heater is not exposed to water spray, rain or dripping water

| MINIMUM CLEARANCES FROM COMBUSTIBLE MATERIALS: | |
|---|------------------------------|
| OUTLET = 36 in. | SIDES = 36 in. |
| TOP = 12 in. | FRONT / REAR = 36 in. |
| FLOOR = COMBUSTIBLE | |

3. Connect power cord of heater into a three-hole, grounded 110-120 V / 60 Hz outlet. See paragraph "Technical specifications" in this manual for correct amperage rating. If an extension cord is used, it must be a listed type. Up to 50 feet long, the extension cord must be rated 14 AWG (130A; 12 AWG) , 50 to 100 feet long 12 AWG (130A; 10 AWG)
4. Plug the remote thermostat cable into the thermostat socket under the electric control box of the heater
5. Set the remote thermostat to a temperature above the ambient room temperature by turning the knob. Note! The heater will start only if the thermostat "calls for heat" meaning that it is set to higher than prevailing ambient temperature. If an remote thermostat is not used, set the thermostat bypass switch to position "Continuous Heat"
6. Set the main switch into position I = "HEAT". The burner fan will now start to provide pre-purge air. After approx. 10 seconds, the burner will ignite and start heating. NOTE! If the burner fails to ignite, push the red lighted reset button on the burner (this is liable to happen when starting the heater after a longer storage period, because the hoses are empty and it takes them a few seconds to fill)
7. After the heater has warmed up enough, the main fan will start automatically
8. The heater will now operate automatically, controlled by the ambient thermostat. Make sure there is enough oil in the tank for continuous use.

TO STOP HEATING

1. Turn the main switch into 0 = “OFF” position

ALLOW FAN TO RUN UNTIL IT STOPS AUTOMATICALLY –

DO NOT UNPLUG THE HEATER !

2. Disconnect the power supply plug after the fan has stopped cooling the heater

TO STOP HEATING WITH INTENT TO MOVE THE HEATER

1. Lift the wand above the oil level inside drum. Allow oil hose to drain into the drum
2. Wait until the burner stops after using all oil left in supply hose
3. Turn the main switch into 0 = “OFF” position

ALLOW FAN TO RUN UNTIL IT STOPS AUTOMATICALLY –

DO NOT UNPLUG THE HEATER !

4. Disconnect the power supply plug after the fan has stopped cooling the heater

TO USE AS A VENTILATOR ONLY

1. Do not connect to oil supply
2. Plug heater to 110-120 V / 60 Hz mains
3. Turn the main switch into “FAN ONLY” position
4. Unplug heater after use

TECHNICAL SPECIFICATIONS

| HEATER MODEL | | CLIMAT 40A | CLIMAT 50A | CLIMAT 130A |
|----------------------|----------|-----------------|-----------------|-----------------|
| Output | BTU/hr | 135,000 | 195,000 | 570,000 |
| | Watts | 41,000 | 58,000 | 167,000 |
| Air flow | cu.f/min | 1120 | 2230 | 4700 |
| | cu.m/hr | 1800 | 3600 | 7590 |
| Oil consumption | Gal/hr | 1 | 1 ½ | 4 |
| | Lit/hr | 4 | 6 | 16 |
| Voltage | Volts | 110/120 | 110/120 | 110/120 |
| Fuse size | Amps | 15 | 15 | 25 |
| Measures (W x L x H) | Inches | 28” x 52” x 34” | 31” x 66” x 40” | 40” x 75” x 53” |
| Weight | lbs | 176 | 330 | 650 |
| Burner nozzle | | 0.85 / 60° / SS | 1.10 / 60° / SS | 4.00 / 60° / SS |
| | | | | |

STORAGE

Close drum plug and coil the oil hoses.

Place oil wand in it's holder on the side of the heater

Store heater in a dry, clean and safe place out of reach of children and unqualified persons.

MAINTENANCE

WARNING!

NEVER SERVICE THE HEATER WHILE IT IS PLUGGED IN, CONNECTED TO OIL SUPPLY, RUNNING OR HOT. SEVERE BODILY INJURE OR ELECTRIC SHOCK MAY OCCUR.

ONLY QUALIFIED PERSONS ARE ALLOWED TO OPEN HEATER FOR SERVICE AND PROVIDE OIL BURNER MAINTENANCE AND REPAIRS.

- Keep heater clean. Use pressurized air to blow fan blades clean. Note! Use moderate pressure to avoid damage to fan blades
- Inspect heater before and after each use
- The fan motor is sealed and has permanently lubricated bearings. No additional lubrication is needed
- Check hose/wand assembly before each use. Replace worn or damaged hose immediately. Replace with original PATRON CLIMAT hose assembly only
- Have the oil burner inspected yearly by a qualified service person
- Always use original spare parts obtained from your local PATRON dealer

CLEANING THE COMBUSTION CHAMBER & HEAT EXCHANGER

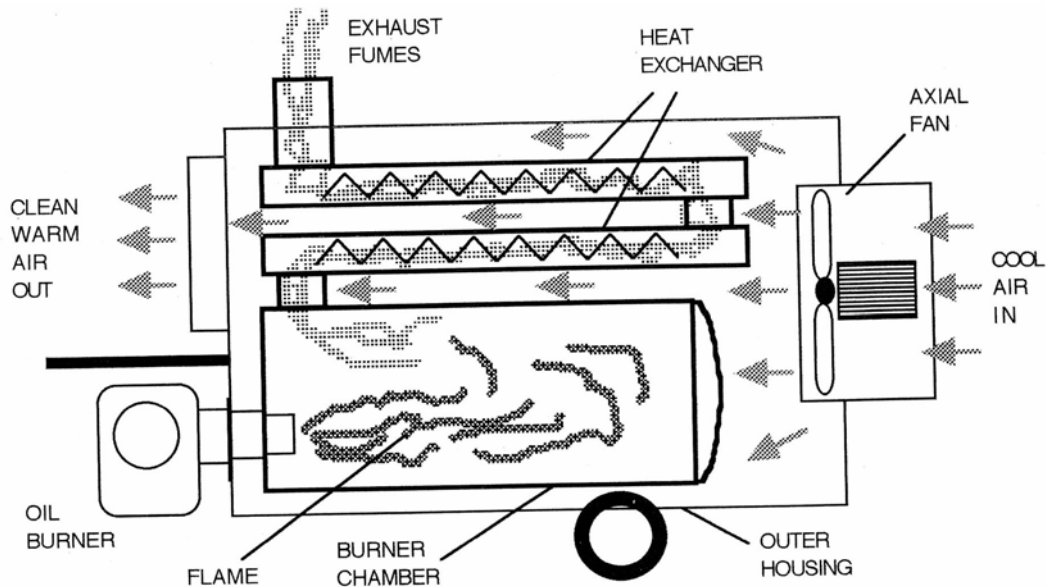
1. Remove the warm air outlet and the end covers of the heat exchanger boxes. Pull out baffle plates. Clean boxes and plates with a stiff brush
2. Remove the oil burner. Clean the combustion chamber through the burner opening with a stiff brush. Use vacuum cleaner to remove soot
3. Replace baffles, exchanger end covers and air outlet
4. Replace burner

HAVE THE BURNER CHECKED REGULARLY TO AVOID SMOKE AND SOOT BUILD-UP IN EXCHANGER AREAS!

NOTE!

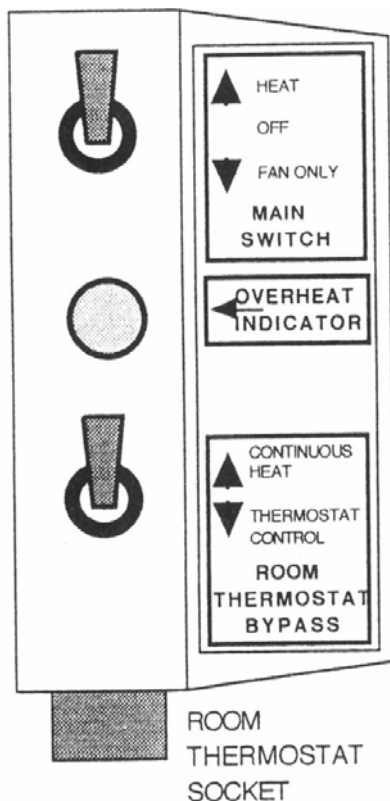
IT IS RECOMMENDED THAT AT THE FINAL JOBSITE LOCATION A BURNER COMBUSTION CHECK BE MADE WITH A SMOKE SAMPLER TESTER TO ENSURE PROPER ATMOSPHERIC AND DRAFT PERFORMANCE OF THE HEATER.

PRINCIPLE OF OPERATION



SEQUENCE OF OPERATION

After the main switch has been turned to position "HEAT", and if the ambient thermostat is set to a temperature higher than ambient, the heater will operate automatically as follows:



1. The burner starts. After a short pre-purge period, the flame will ignite and start heating the combustion chamber
2. When sufficient amount of heat has accumulated in the heater, the fan will start by automatic thermostat control and clean warm air will be blown out. If the incoming air is cool enough, the burner will stay on continuously, but with higher ambient temperatures, the burner will shut off occasionally to allow the fan to cool the heater, avoiding overheating
3. When the ambient temperature set by the ambient thermostat has been reached, the burner will stop, and the fan will run to cool down the heater
4. After the room has cooled down below the set temperature, the cycle begins again from "1"
5. The heater is shut off by setting the main switch to position "OFF". Note that the fan will run until the heater has cooled down to avoid damage to burner

THE HEATER IS PROTECTED BY AN OVERHEAT LIMIT SWITCH. THIS WILL CAUSE THE WHOLE HEATER TO SHUT DOWN, INCLUDING THE FAN, IN CASE OF OVERHEATING (IN MODELS 40A & 50A). THE HEATER WILL REQUIRE A PERIOD OF APPROX. 20 MIN TO COOL DOWN ENOUGH FOR A RE-START.

MODEL 130A WILL IN CASE OF OVERHEATING TO COOL-DOWN THE HEATER AUTOMATICALLY.

CHECK AND REMOVE CAUSE FOR OVERHEATING BEFORE RE-STARTING!

TROUBLESHOOTING

⇒ **NOTHING HAPPENS WHEN MAIN SWITCH IS TURNED TO “HEAT” OR “VENT”**

- Check power supply cord and fuses
- Push the burner reset button (red button on burner relay control box)
- Push the reset button on fan motor

⇒ **FAN STARTS WHEN MAIN SWITCH IS TURNED TO “VENT” BUT NOTHING HAPPENS IN POSITION “HEAT”**

- Check remote thermostat setting
- Check remote thermostat cord
- Push the burner reset button

⇒ **WITH MAIN SWITCH IN POSITION “HEAT”, BURNER FIRES BUT STOPS AFTER A WHILE WITHOUT FAN MOTOR STARTING**

- Push the reset button on fan motor

⇒ **OIL BURNER STARTS, BUT THERE IS NO FLAME**

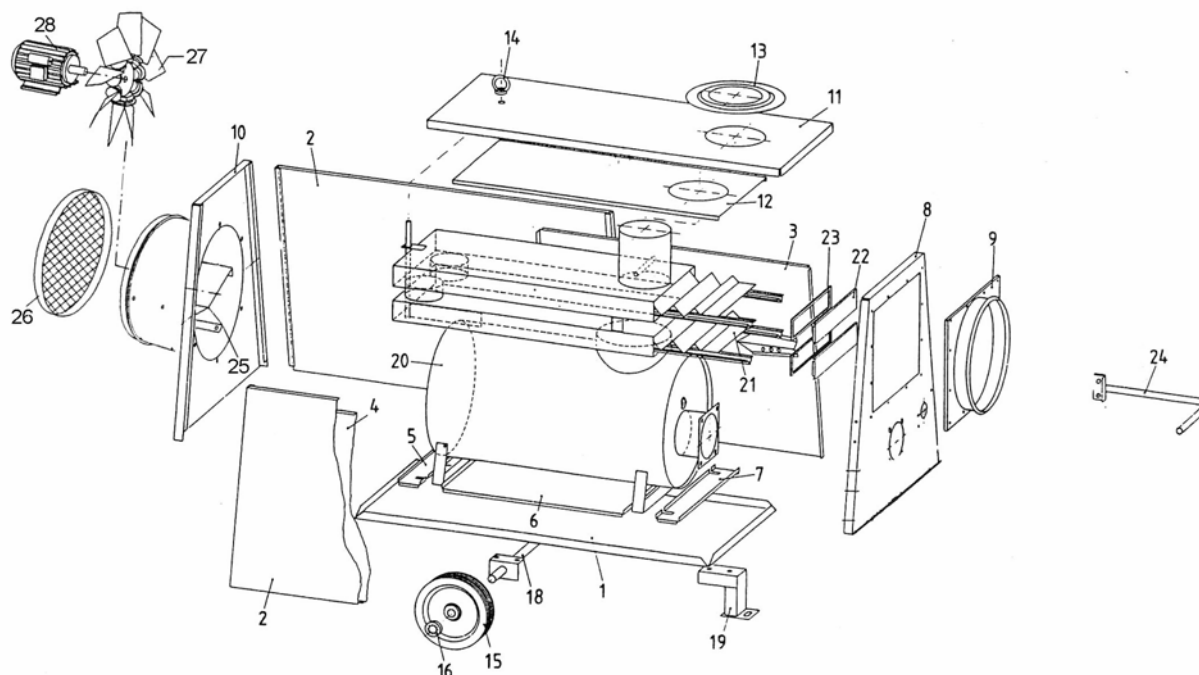
- Check oil level in drum / tank
- Check for possible water in oil
- Check for leaks in oil hoses or couplings
- Check that the burner igniter tips give spark when turned on
- Clean the photocell sensor of burner

CAUTION!
FOLLOW INSTRUCTIONS IN BURNER MANUAL
WHEN CHECKING BURNER

Refer to burner manual for additional troubleshooting instructions.

WARNING!
DO NOT TAMPER WITH BURNER ADJUSTMENT OR
SAFETY EQUIPMENT.
IF IN TROUBLE, CALL A COMPETENT OIL BURNER SERVICEMAN.

PART LIST OF PATRON CLIMAT 40A & 50A

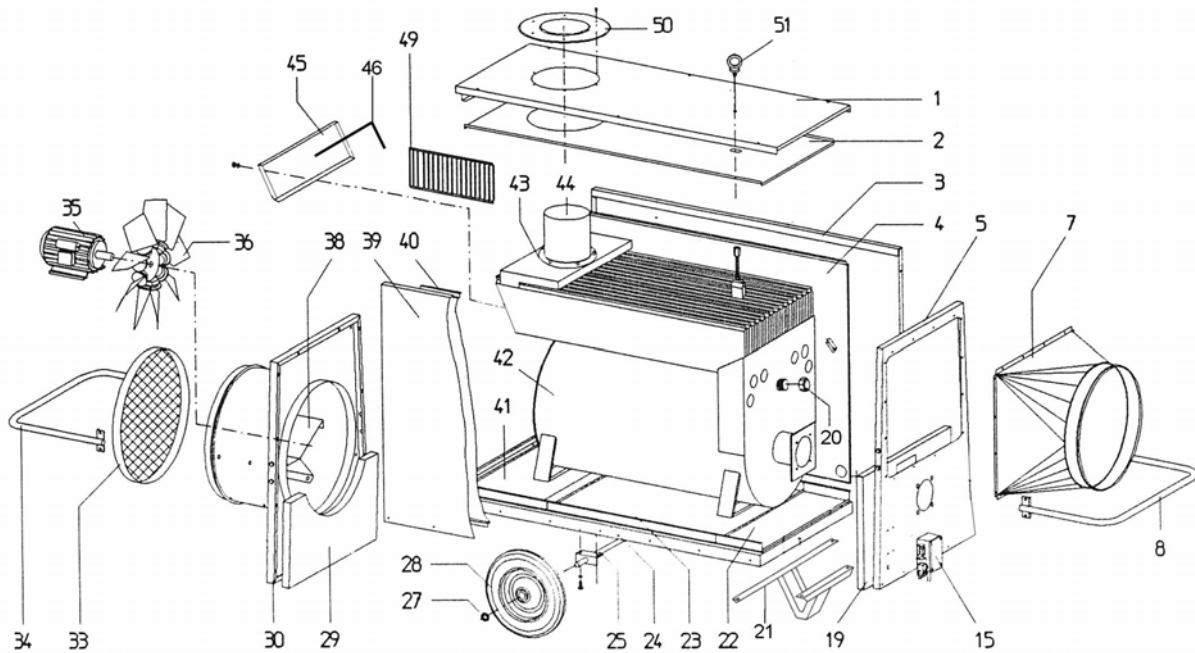


| Item | Part no Climat 40A | Part no Climat 50A | Description |
|------|--------------------------|--------------------------|--------------------------------|
| 1 | 14001 | 15001 | bottom plate |
| 2 | 14002 | 15002 | side plate, left & right |
| 3 | 14003 | 15003 | shield, right |
| 4 | 14004 | 15004 | shield, left |
| 5 | 14005 | 15005 | shield, bottom rear |
| 6 | 14006 | 15006 | shield, bottom middle |
| 7 | 14007 | 15007 | shield, bottom front |
| 8 | 14008 | 15008 | front panel |
| 9 | 14009 | 15009 | air outlet adapter |
| 10 | 14010 | 15010 | fan panel |
| 11 | 14011 | 15011 | cover plate |
| 12 | 14012 | 15012 | shield, top |
| 13 | 14013 | 15013 | flue collar |
| 14 | 14014 | 15014 | hoist eye |
| 15 | 14015 | 15015 | wheel (2 ea.) |
| 16 | 14016 | 15016 | locking washer (2 ea.) |
| 18 | 14018 | 15018 | wheel shaft Ø20 mm |
| 19 | 14019 | 15019 | support leg |
| 20 | 14020 | 15020 | burner chamber assembly |
| 21 | 14021 | 15021 | baffle, heat exchanger (2 ea.) |
| 22 | 14022 | 15022 | lid, heat exchanger (2 ea.) |
| 23 | 14023 | 15023 | gasket, heat exchanger (2 ea.) |

| Item | Part no Climat 40A | Part no Climat 50A | Description |
|------------------|--------------------------|--------------------------|--|
| 24 | 14024 | 15024 | front handle |
| 25 | 14025 | 15025 | bracket, fan motor |
| 26 | 14026 | 15026 | fan guard |
| 27 | 14027 | 15027 | fan blade |
| 28 | 14028 | 15028 | fan motor |
| — | 14029 | 14029 | bracket, control box |
| — | 14030 | 14030 | control box, empty |
| ^{*)} SM | 14031 | 14031 | main switch |
| S1 | 14032 | 14032 | bypass switch |
| TB | 14033TB | 14033TB | thermostat, burner & overheat |
| TO | 14033TO | 14033TO | thermostat, fan control |
| TF | 14034 | 14034 | thermostat, fan control indicator light |
| H1 | 14035 | 14035 | room thermostat socket |
| TRS | 14036 | 14036 | remote room thermostat with cable & plug |
| TR | 14037 | 14037 | power cord & plug |
| — | 14038 | 15038 | burner cover |
| — | 14039 | 15039 | glass eye + gasket (flame detection) |
| — | 14040 | 14040 | oil wand |
| — | 14041 | 14041 | oil hose (2 ea.) |
| — | 14042 | 14042 | oil wand holder |
| — | 14043 | 14043 | fan motor box |
| — | 14044 | 14044 | |

^{*)} LETTERS REFER TO ELECTRIC CONNECTION DIAGRAMS

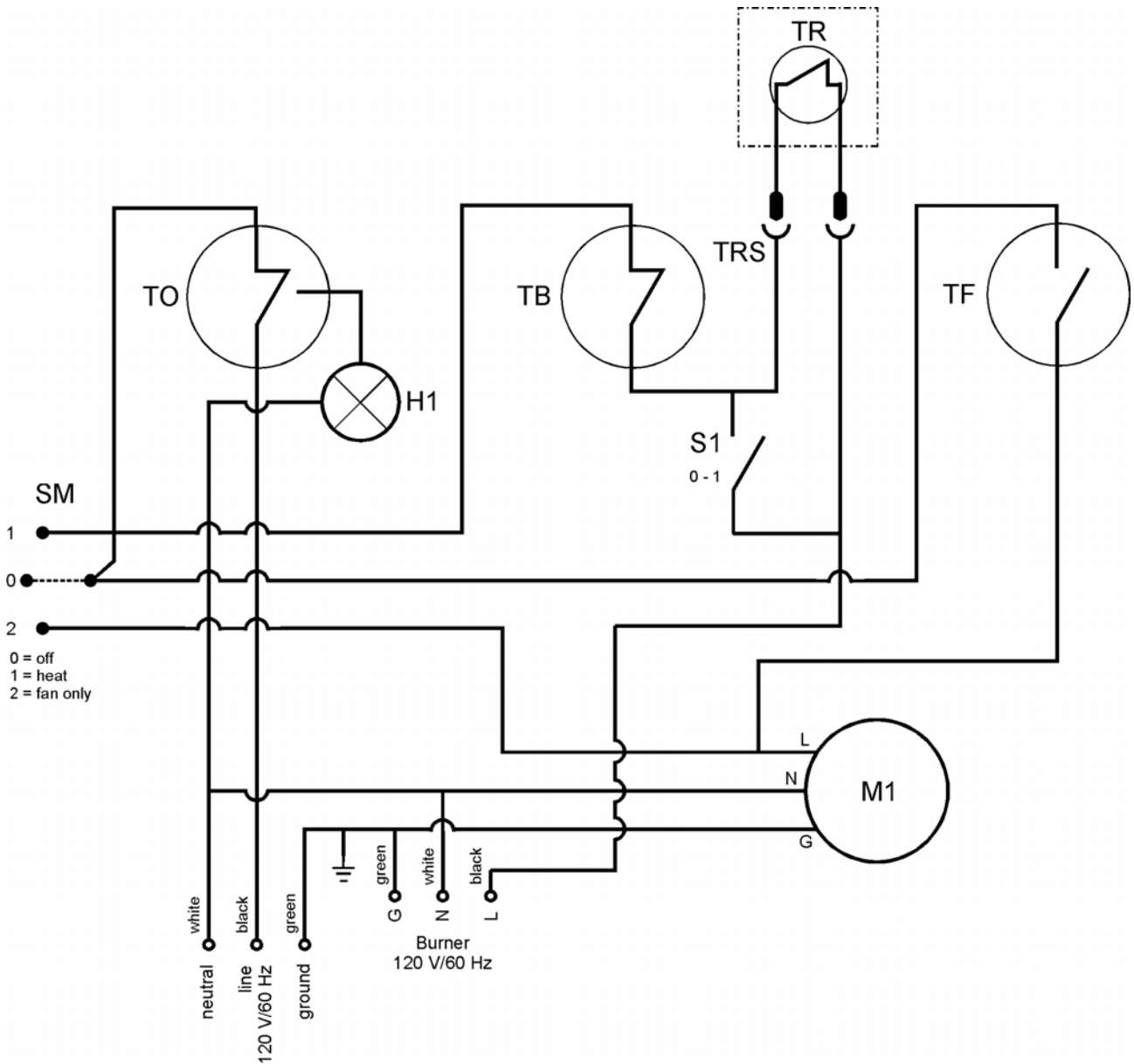
PART LIST OF PATRON CLIMAT 130A



| Item | Part no Climat 130A | Description |
|---|---------------------------|--|
| 1 | 16001 | cover plate |
| 2 | 16002 | shield, top |
| 3 | 16003 | side plate, right |
| 4 | 16004 | shield, right |
| 5 | 16005 | front panel |
| — | 16006 | latch (2 ea.), outlet adapter |
| 7 | 16007 | air outlet adapter |
| 8 | 16008 | front handle |
| — | 16009 | burner cover (incl. knob, latch) |
| 15 | 14030 | control box, empty |
| — | 14029 | bracket, control box |
| ^{*)} SM | 14031 | main switch |
| S1 | 14032 | bypass switch |
| TB | 14033TB | thermostat, burner |
| TF | 14034 | thermostat, fan control |
| TO | 14033TO | thermostat, overheat |
| H1 | 14035 | indicator light |
| TRS | 14036 | room thermostat socket |
| TR | 14037 | remote room thermostat with cable & plug |
| C | 22950 | contactor |
| — | 16018 | power cord & plug |
| 19 | 16019 | shield, front |
| 20 | 16020 | flame cap |
| 21 | 16021 | support leg |
| 22 | 16022 | shield, bottom front |
| 23 | 16023 | shield, bottom middle |
| 24 | 16024 | bottom plate |
| ^{*)} LETTERS REFER TO ELECTRIC CONNECTION DIAGRAMS | | |

| Item | Part no Climat 130A | Description |
|------|---------------------------|--------------------------------|
| 25 | 16025 | wheel shaft Ø20 mm |
| 27 | 16027 | locking pin + washer (2 ea.) |
| 28 | 16028 | wheel (2 ea.) |
| 29 | 16029 | shield, rear |
| 30 | 16030 | fan panel |
| 33 | 16033 | fan guard |
| 34 | 16034 | rear handle |
| 35 | 16035 | fan motor |
| 36 | 16036 | fan blade |
| 38 | 16038 | bracket, fan motor |
| 39 | 16039 | side plate, left |
| 40 | 16040 | shield, left |
| 41 | 16041 | shield, bottom rear |
| 42 | 16042 | burner chamber assembly |
| 43 | 16043 | gasket, flue pipe |
| 44 | 16044 | flue pipe |
| 45 | 16045 | lid, heat exchanger |
| 46 | 16046 | gasket, heat exchanger |
| 49 | 16049 | affle, heat exchanger (15 ea.) |
| 50 | 16050 | flue collar |
| 51 | 16051 | hoist eye |
| — | 14041 | oil wand |
| — | 14042 | oil hose, L = 4 m (2 ea.) |
| — | 14043 | oil wand holder |

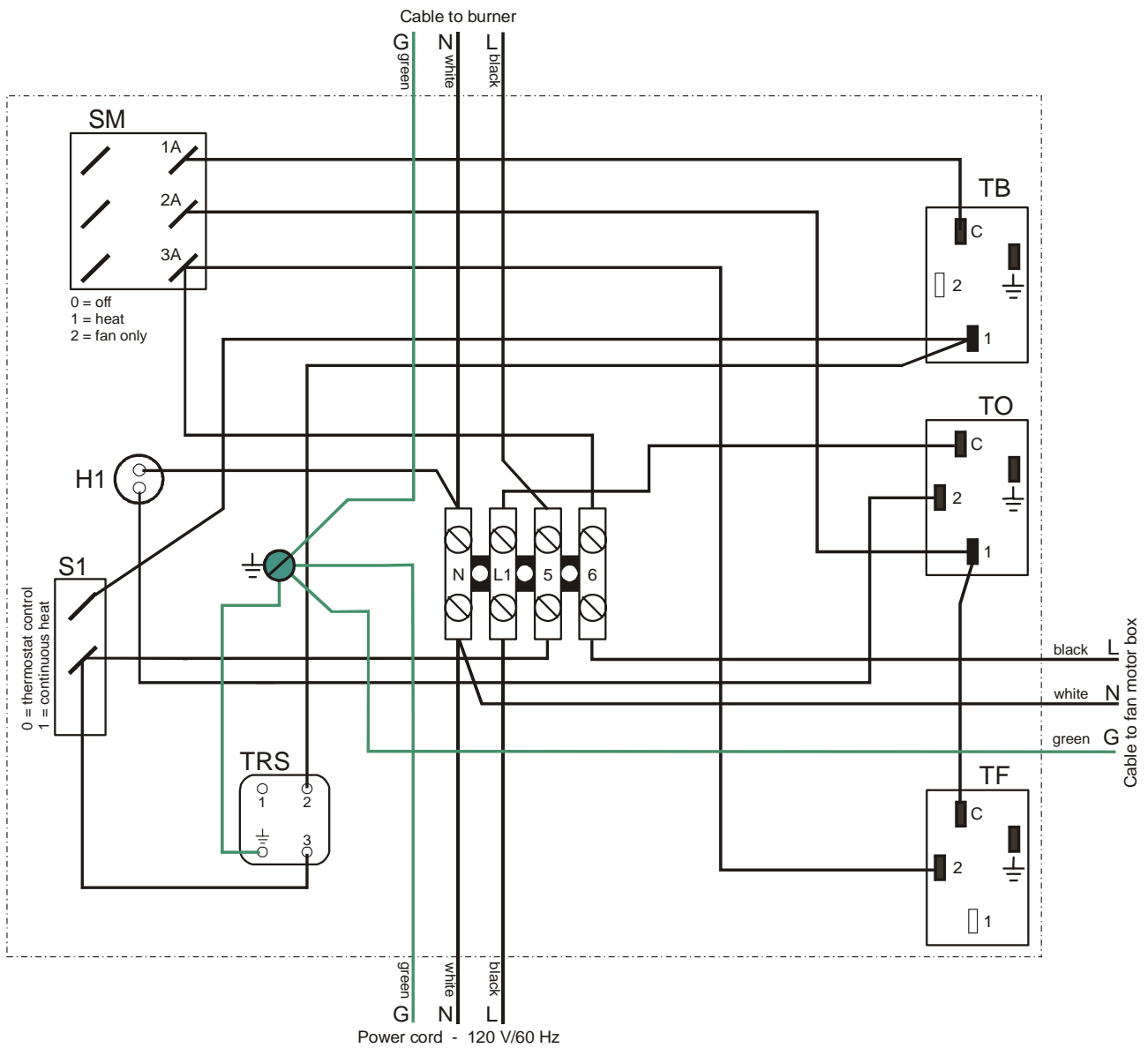
LADDER WIRING DIAGRAM — 40A & 50A



| LEGEND: | |
|------------|---|
| H1 | Overheat indicator light |
| M1 | Fan motor |
| S1 | room thermostat bypass switch, lever type |
| SM | main switch (0 = off, 1 = heat, 2 = fan only), lever type |
| TB | thermostat, burner control |
| TF | thermostat, fan control |
| TO | thermostat, overheating control |
| TR | remote thermostat with plug & cable, room ambient |
| TRS | room thermostat socket (female) |

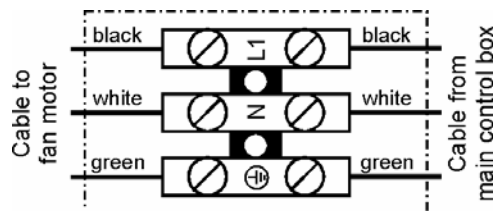
CONNECTION DIAGRAM — 40A & 50A

MAIN CONTROL BOX



FAN MOTOR BOX

(only in 40A & 50A)

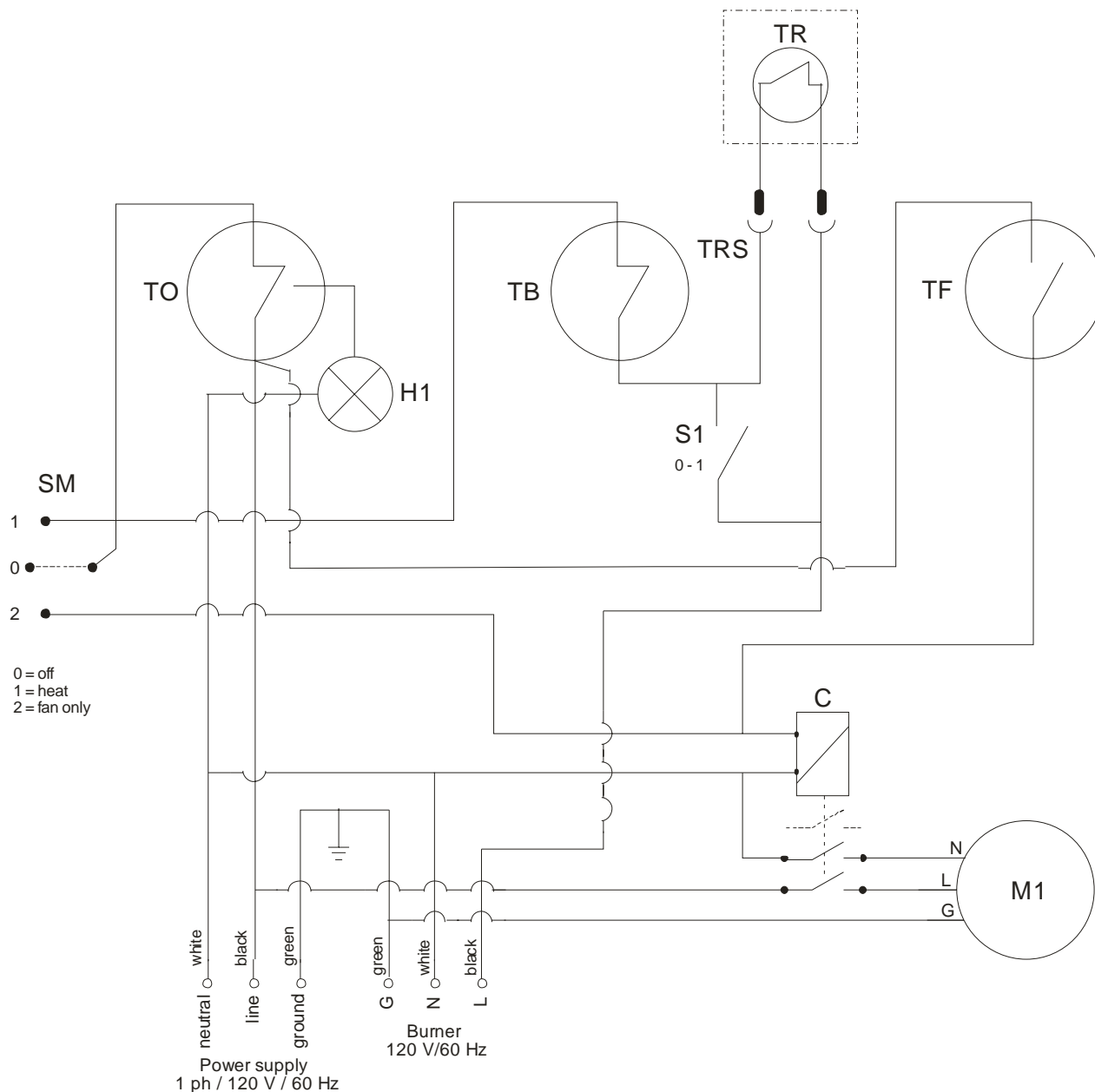


WARNING!

RISK OF ELECTRIC SHOCK!

DO NOT TAMPER WITH ELECTRIC WIRING! — HAVE A QUALIFIED ELECTRICIAN MAKE AND TEST ALL ELECTRIC WIRINGS BEFORE USING OR STARTING HEATER

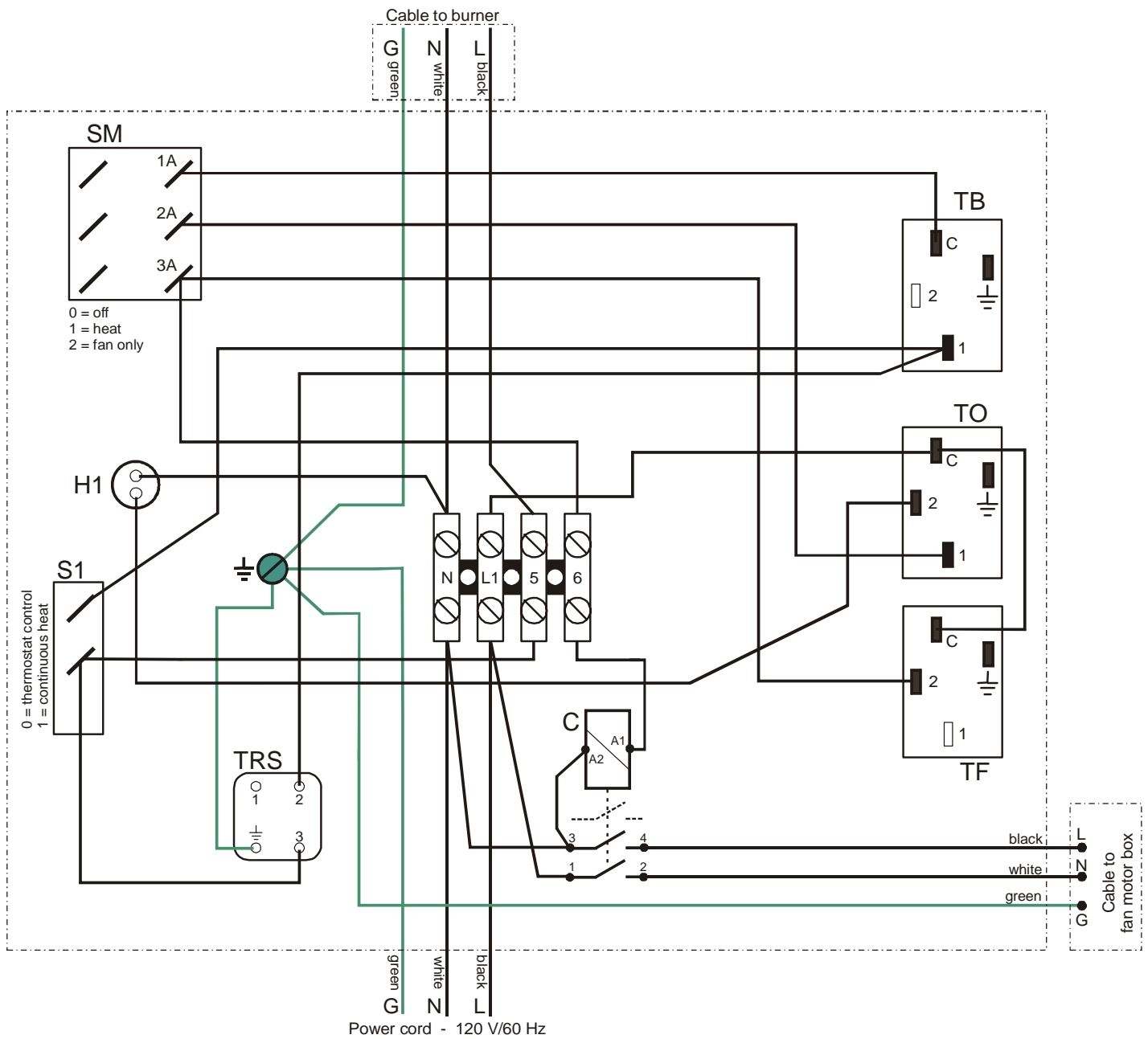
LADDER WIRING DIAGRAM — 130A



| LEGEND: | |
|------------|---|
| C | Contacteur |
| H1 | Overheat indicator light |
| M1 | Fan motor |
| S1 | room thermostat bypass switch, lever type |
| SM | main switch (0 = off, 1 = heat, 2 = fan only), lever type |
| TB | thermostat, burner control |
| TF | thermostat, fan control |
| TO | thermostat, overheating control |
| TR | remote thermostat with plug & cable, room ambient |
| TRS | room thermostat socket (female) |

CONNECTION DIAGRAM — 130A

MAIN CONTROL BOX



WARNING!

RISK OF ELECTRIC SHOCK!
DO NOT TAMPER WITH ELECTRIC WIRING! — HAVE A QUALIFIED ELECTRICIAN
MAKE AND TEST ALL ELECTRIC WIRINGS BEFORE USING OR STARTING HEATER

PATRON CLIMAT HEATERS – LIMITED WARRANTY

PATRON CLIMAT heater products are professional construction heaters. They are warranted for twelve (12) months from original date of purchase. The warranty does not cover products modified outside our factory, damage or failure caused by acts of God, abuse, misuse, use on other than rated voltage, abnormal usage, faulty or improper installation, failure to provide recommended maintenance or any repairs other than those provided by a professional licensed service person or facility to the oil burner and electrical systems of the heater.

THERE ARE NO OBLIGATIONS OR LIABILITIES ON THE PART OF PATRON PRODUCTS INC. FOR CONSEQUENTIAL DAMAGES ARISING OUT OF OR IN CONNECTION WITH THE USE OR PERFORMANCE OF THE PRODUCT OR OTHER INDIRECT DAMAGES WITH RESPECT TO LOSS OF PROPERTY, REVENUES, OR PROFIT, OR COST OF REMOVAL, INSTALLATION OR REINSTALLATION.

THIS WARRANTY CONSTITUTES THE EXCLUSIVE REMEDY OF ANY PURCHASER OF EQUIPMENT SOLD BY THE MANUFACTURER AND ITS DEALERS AND DISTRIBUTORS AND IS IN LIEU OF ALL OTHER WARRANTIES, EXPRESS OR IMPLIED.

During the warranty period, Patron Products Inc. will, at its sole option, repair or replace any defective parts or products returned, freight prepaid, to Patron Products Inc. or such other location as Patron Products Inc. may designate.

Returned products must be packaged carefully, and Patron Products Inc. shall not be responsible for damage in transit. When returning parts, the owner must provide the model number of the product and the nature of difficulty being experienced. This warranty does not oblige Patron Products Inc. to bear the cost of labour in replacing any assembly, unit or component or part thereof, nor does the company assume any liability for secondary charges, expenses of removal or installing, freight or damages. There will be charges rendered for product repair after our warranty period has expired.

Proof of purchase, including date, must accompany request for in-warranty service.

All specifications in this manual are subject to change.

We are not responsible for errors or omissions in this manual

PATRON PRODUCTS (USA) INC. PATRON PRODUCTS INC.

USA: 60 Clyde Avenue Suite # 4, Buffalo, NY 14215

Canada: 12-110 Ironside Crescent, Scarborough, Ontario M1X 1M2