

REFERENCE:



BKS400Q

HPS Ballast Kit



BALLAST TYPE	HIGH PRESSURE SODIUM
LAMP	400W S51
CIRCUIT TYPE	CWA
INPUT FREQ.	60Hz

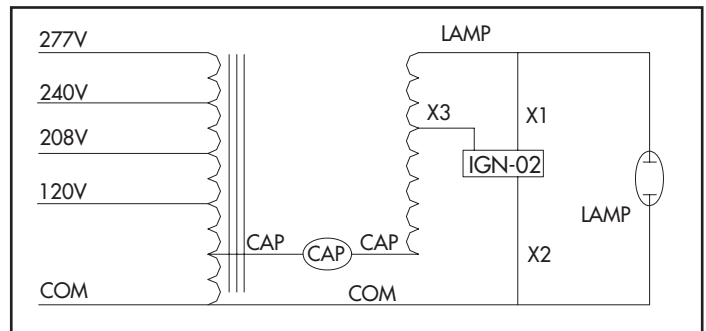
SPECIFICATIONS

INPUT VOLTAGE	120	208	240	277	
OPERATING CURRENT	3.8	2.2	1.9	1.7	
OPEN CIRCUIT CURRENT	2.4	1.5	1.2	1.0	
STARTING CURRENT	6.4	6.4	6.4	6.4	
CCF (*ANSI ≤ 1.8)	1.8	1.8	1.8	1.8	
SHORT CIRCUIT CURRENT	SECONDARY	6.4	6.4	6.4	6.4
	INPUT	3.6	2.1	1.8	1.6
RECOMMENDED FUSE	10	8	5	5	
INPUT VOLTAGE AT LAMP DROPOUT					
UL 1029 BENCH TOP RISE	D	D	C	D	
OCV (Min.)	198				
INPUT POWER	464W				
POWER FACTOR	$\geq 90\%$				
REGULATION	LINE VOLTS	$\pm 10\%$			
	LAMP WATTS	$\pm 10\%$			
INSULATION SYSTEM	CLASS H, 180°C				
BALLAST DIMENSION	A	2.33"			
	B	4.26"			
BALLAST NET WEIGHT	14.3 LBS				
COIL MATERIAL (Pri./Sec.)	Cu/Cu				
LEADS	12" CROSS LINK POLYOLEFIN				

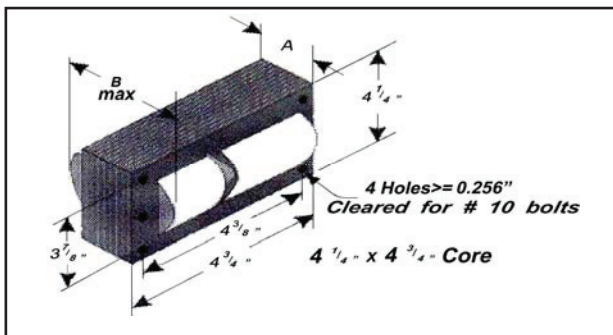
CAPACITOR (REQUIRED)		
CAPACITANCE		55 μ F $\pm 3\%$
MINIMUM VOLTS		240V
DRY	DIAMETER	1.77"
	HEIGHT	3.7"
CASE MAX. TEMPERATURE		100°C
IGNITOR (REQUIRED)		
IGNITOR MODEL		IGN-02
PULSE HEIGHT (kV)		2.5~4.0
Pulse Width ($\geq \mu$ S)		1 μ s @2250V

MIN. STARTING TEMP	-20°F / -30°C
--------------------	---------------

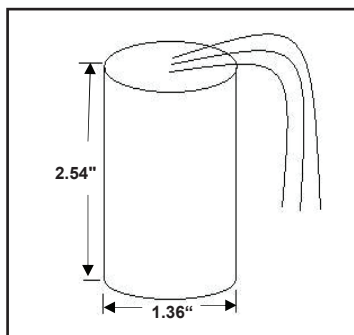
WIRING DIAGRAM



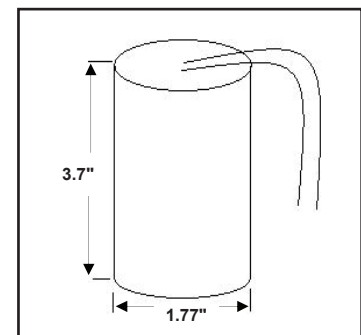
DIMENSIONS



BALLAST



IGNITOR



CAPACITOR

The compliance of our products to individual project specifications and approval for their use, is not warranted by NSi Lighting Products. Specification sheets and photometric data are provided as a guideline for applications information. Final consideration of any given application must take into consideration knowledge of the specific installation environment.

Questions call NSi Lighting Products at 1-800-321-5847