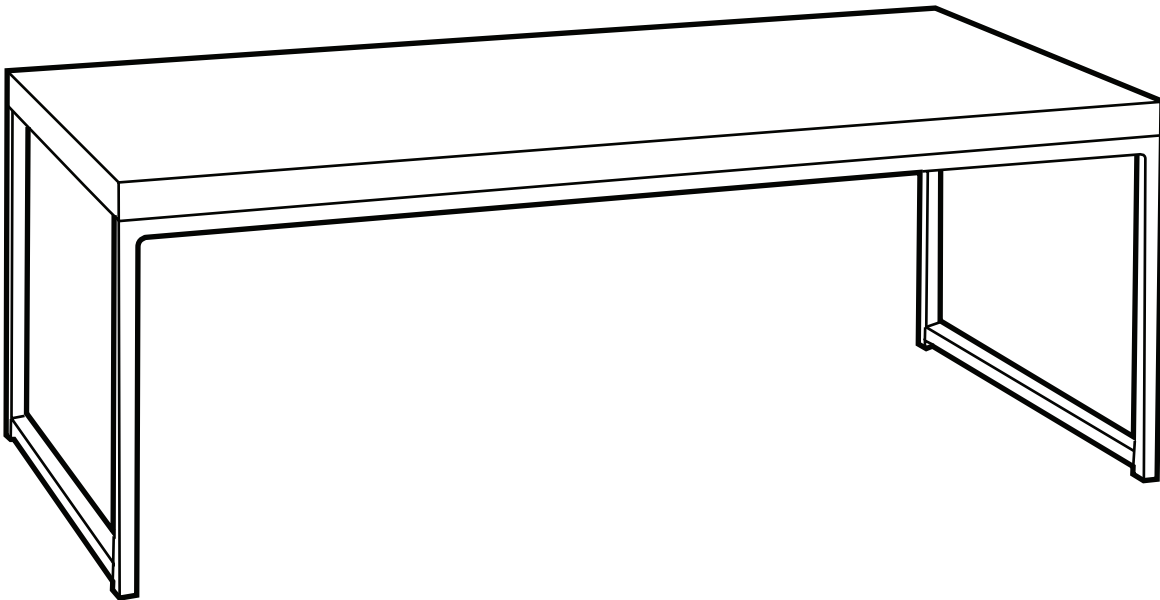


THANK YOU FOR PURCHASING OUR AVENUE SIX

WALLSTREET

COFFEE TABLE
400012



AVENUE • SIX
furnish your lifestyle

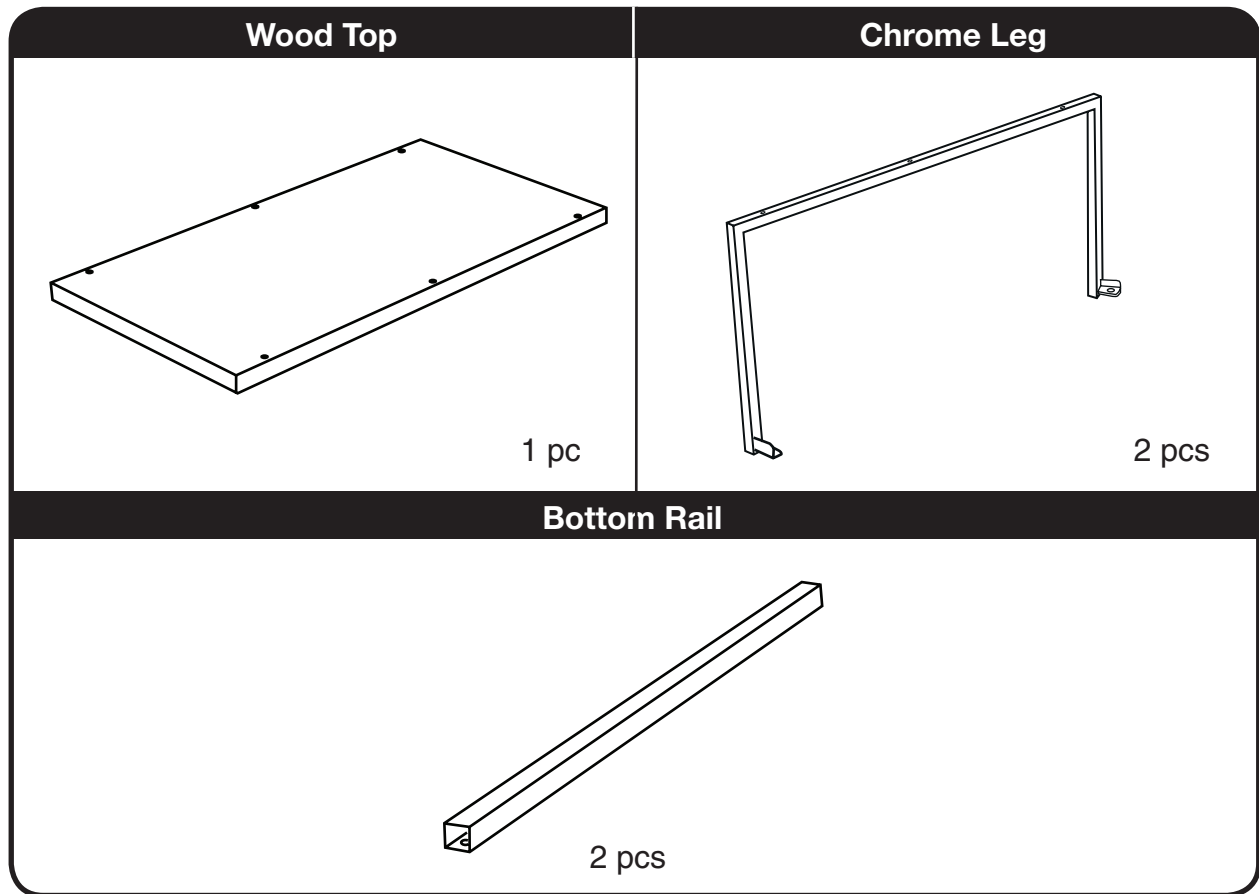
7900 haskell avenue, van nuys, CA 91406
Customer Service: 1.866.373.AVE6
www.avesix.com



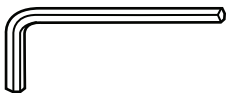
Assembly Instructions - Important:

Carefully unpack and identify each component before attempting to assemble. Refer to parts list. Please take care when assembling the unit and always set the parts on a clean, soft surface. If you require any assistance with assembly, parts or information on other products, please visit our website: www.avesix.com or call or write us.

LIMITED WARRANTY

Avenue Six warrants to the original purchaser that this product will be free from defects in material and workmanship as described below. Avenue Six will repair or replace, at its option, without charge to the original purchaser only, defective products or parts for one (1) year from the date of purchase. Replacement parts can only be supplied if parts are available. Items out of production may be unavailable. This warranty shall be effective for the applicable time period beginning from the date of purchase as shown on your original sales receipt. This warranty is your sole remedy for product defects and excludes defects due to or arising in connection with product abuse or misuse, use modification of, or attachments to the product, and products or parts not used, maintained, or installed in accordance with the company's installation, maintenance and/or applicable guidelines. There are no other warranties, express or implied, other than those specifically described, including without limitation any implied warranty of merchantability or of fitness for a particular purpose. Avenue Six will not be responsible for incidental or consequential damages. Some states do not allow the exclusion or limitation of incidental or consequential damages, so the above limitations or exclusions may not apply to you. This warranty gives you specific legal rights and you may also have other rights which may vary from state to state. The company will advise you of the procedure to follow in making warranty claims. For warranty claims, contact service@avesix.com or 866.373.AVE6 (866.373.2836) and provide an explanation of the defect, your name, address, telephone number and e-mail address. Please be prepared with the model number of the product, date and place of purchase. If you require any assistance with assembly or parts please visit our website: www.avesix.com.



| HARDWARE LIST | | | | |
|---------------|---|---------------|--------------|-------|
| A |  | 1/4" x 32 mm | ALLEN BOLT | 6 PCS |
| B |  | 1/4" x 10 mm | ALLEN BOLT | 4 PCS |
| C |  | 2 1/4" x 4 mm | ALLEN WRENCH | 1 PC |

Coffee Table

