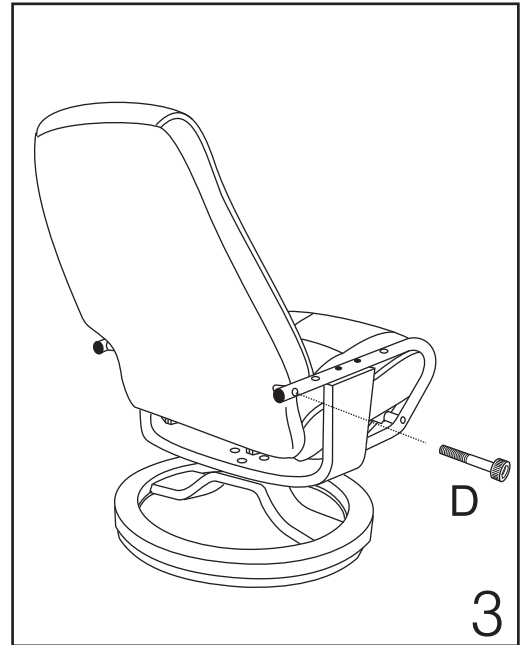
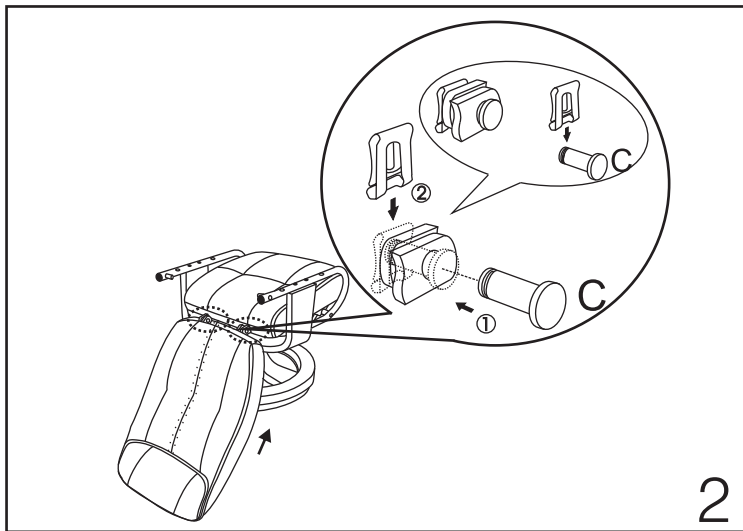
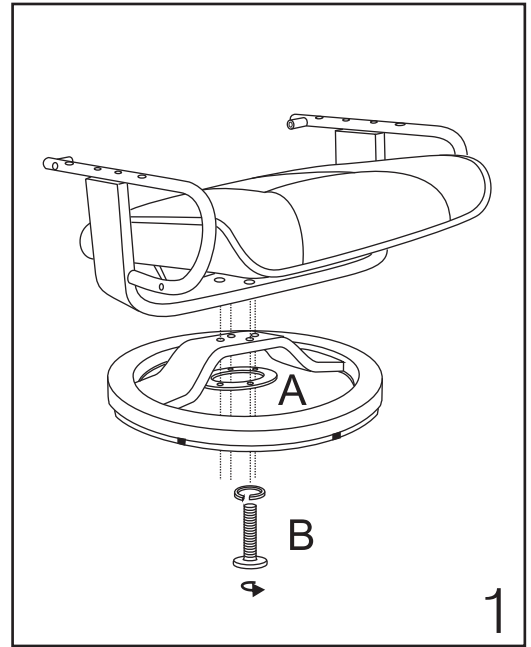
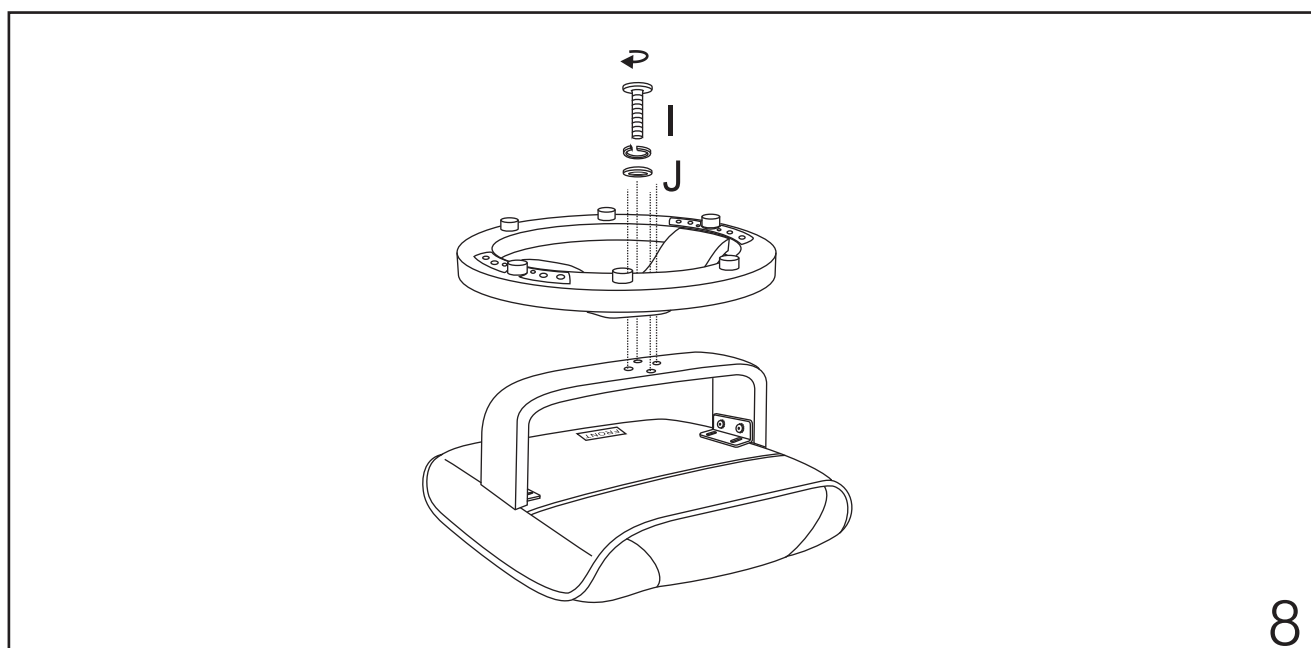
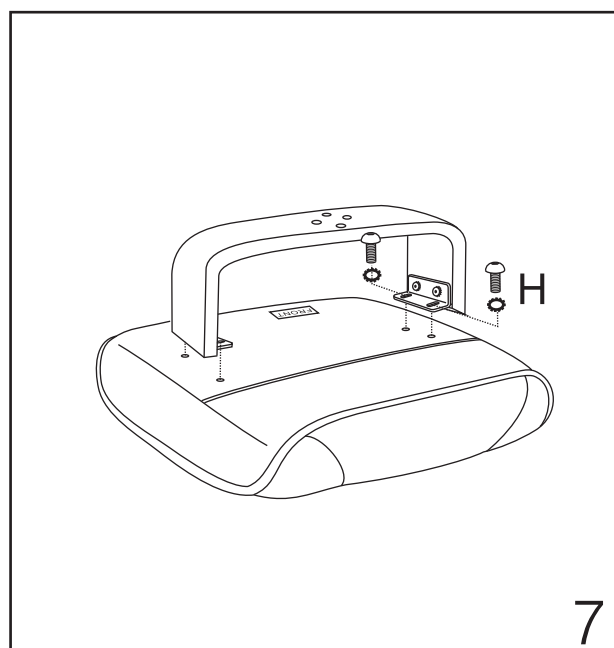
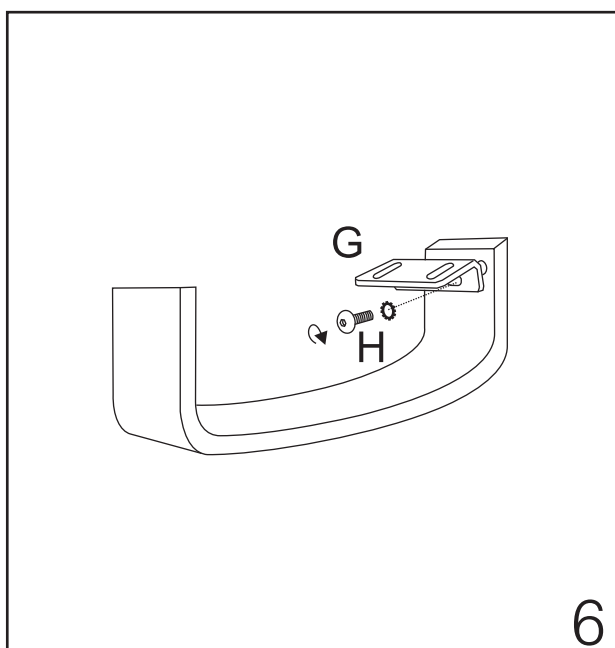
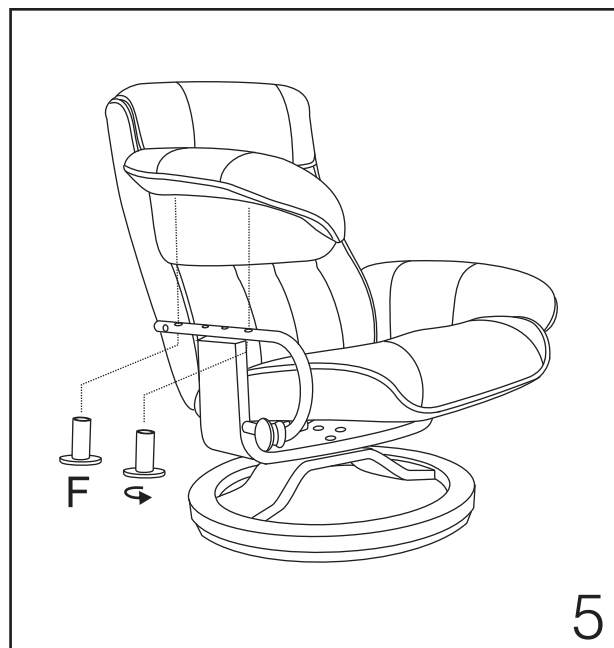
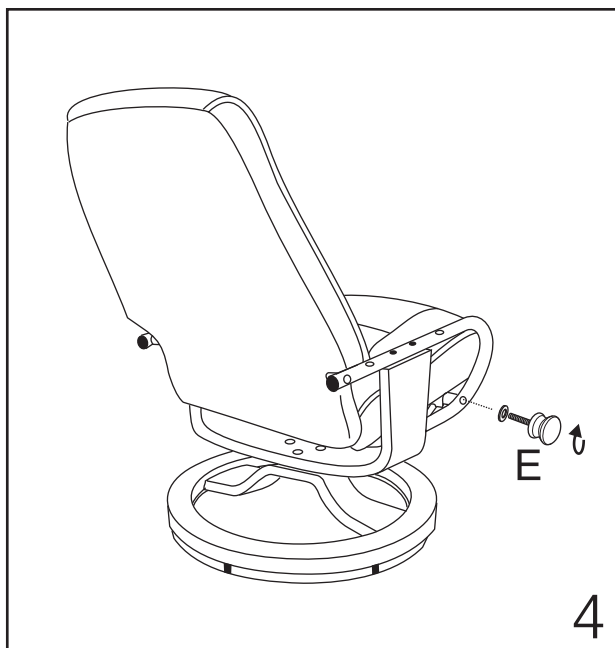


UP5803RCTX  
UP5832RCTX  
UP5873RCTX



<b>A</b>		1PC	<b>E</b>		1PC	<b>I</b>		4PCS
<b>B</b>		M8X50 4PCS	<b>F</b>		4PCS	<b>J</b>		4PCS
<b>C</b>		2PCS	<b>G</b>		2PCS	<b>K</b>		1SET
<b>D</b>		M8X65 2PCS	<b>H</b>		M6X16 8PCS			



Please count, identify and compare parts and hardware list to be sure all parts are present. It may help to divide parts and label them to correspond with part list. Extra hardware may be included. If any items are missing, please contact our parts/service department at (800) 633-5096 or in Dallas (972) 869-0111/ 9am - 4pm Mon-Fri Central time. Missing or damaged hardware and/ or parts will be replaced free of charge. WE DO NOT SELL PARTS. WE DO NOT RECOMMEND MODIFYING PRODUCT (S) AND WE ARE NOT RESPONSIBLE FOR ANY DAMAGES DUE TO PRODUCT MODIFICATION (S). If this product has not been purchased from our retail affiliates (within 9 months), we are under no obligation to provide parts or replacement merchandise. We will ship parts if available. This is not a warranty

Style No.

**PARTS REPLACEMENT FORM**

Customer Name

PARTS  
LETTER

PARTS  
DESCRIPTION

QUANTITY  
NEEDED

Street, City, State, Zip



SOUTHERN ENTERPRISES INC.  
600 Freeport Pkwy Ste: 200, Coppell, TX 75019

Please indicate where you purchased this item.  
Store/ website/ catalog

Please indicate color/ size/ style number.  
\_\_\_\_\_ / \_\_\_\_\_ / \_\_\_\_\_