

**COASTER**<sup>®</sup>  
FINE FURNITURE

**3441**

**CHERRY FINISH VANITY SET  
SET WITH TAPESTRY STOOL**

**ASSEMBLY INSTRUCTION  
COASTER FINE FURNITURE**



**[www.coastercompany.com](http://www.coastercompany.com)**

## ASSEMBLY INSTRUCTION

## ASSEMBLY TIPS:

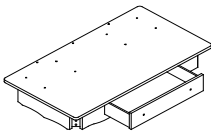
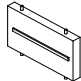

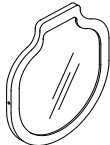
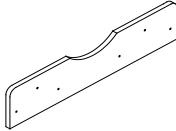
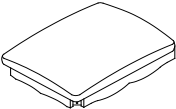
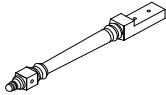

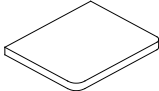
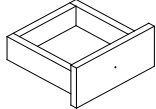
- 1.Remove hardware from box and sort by size.
- 2.Please check to see that all hardware and parts to are present prior to start of assembly.
- 3.Please follow attached instructions in the same sequence as numbered to assure fast & easy assembly.



## Warning!!

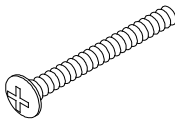
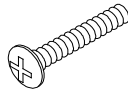
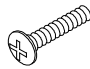
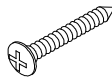

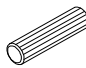
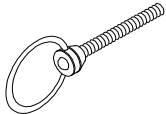

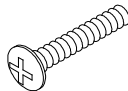
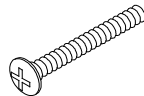


- 1.Don't attempt to repair or modify parts that are broken or defective.Please contact the store immediately.
- 2.This product is for home use only and not intended for commercial establishment.

## PARTS IDENTIFICATION

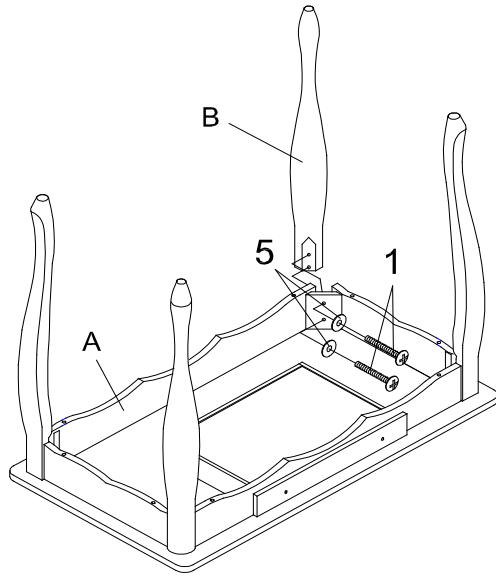
( A ) TABLE		1PC	( F ) DIVIDER PANEL		4PCS
( B ) LONG LEG		4PCS	( G ) MIRROR		1PC
( C ) CROSS BAR		2PCS	( H ) SEAT CUSHION		1PC
( D ) POST		2PCS	( I ) SHORT LEG		4PCS
( E ) TOP PANEL		2PCS	( J ) DRAWER		2PCS

Z

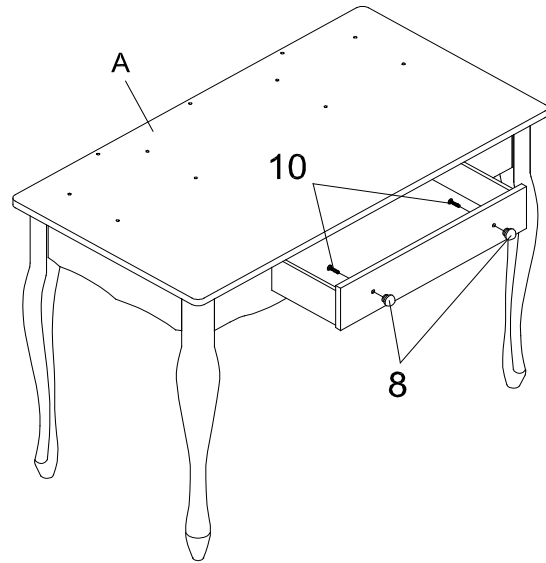
## HARDWARE PACKAGE

NO	DESCRIPTION	FIGURE	Q'TY
1	BOLT 1/4"x1-3/4"		16pcs
2	BOLT 1/4"x1"		2pcs
3	BOLT 5/32"x3/4"		2pcs
4	SCREW Ø7mmx1"		6pcs
5	WASHER 1/4"x19mm		16pcs
6	WOOD DOWEL Ø7mmx25mm		1pc
7	BRASS EYEBOLT 5/16"x2"		2pcs
8	HANDLE Ø16mmx13mm		4pcs
9	BOLT 3/16"x1"		4pcs
10	BOLT 5/32"x1-1/8"		2pcs
11	WASHER 5/16"x23mm		2pcs
12	SPRING WASHER 1/4"x11mm		8PCS

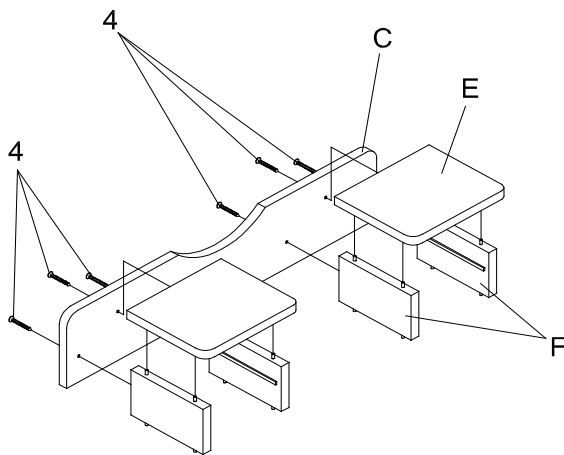
STEP 1



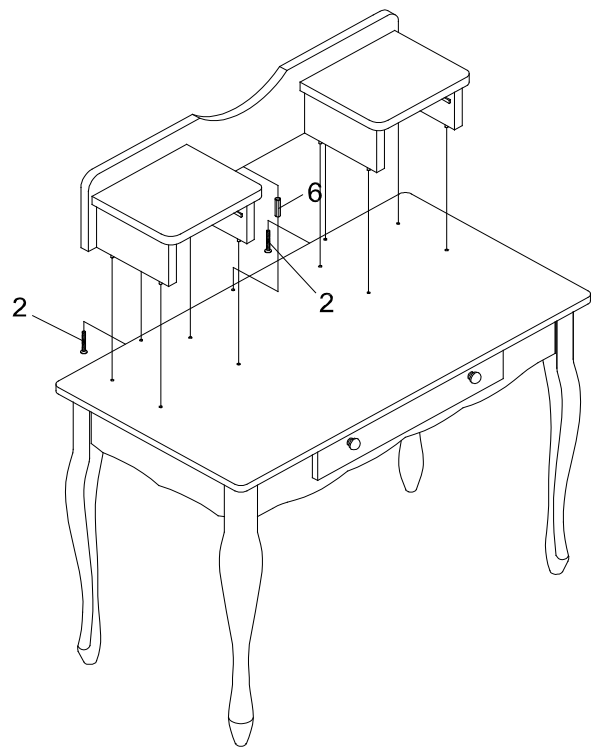
STEP 2



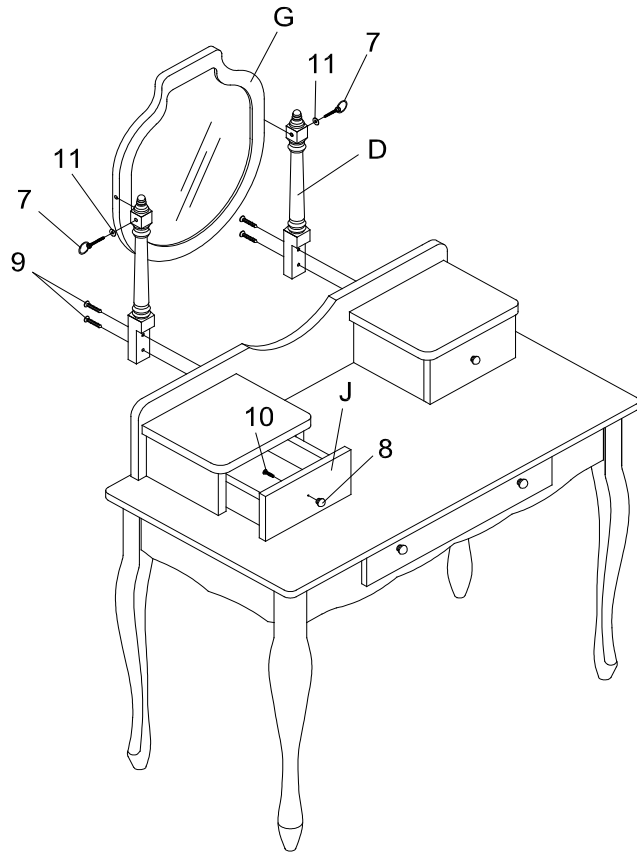
STEP 3



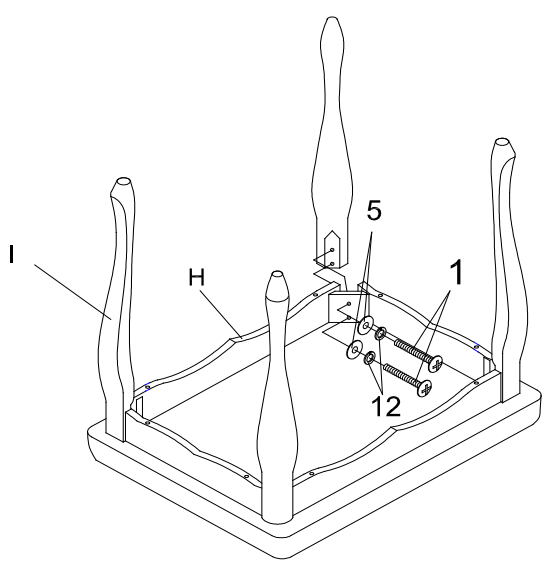
STEP 4



STEP 5



STEP 6



FINISH

