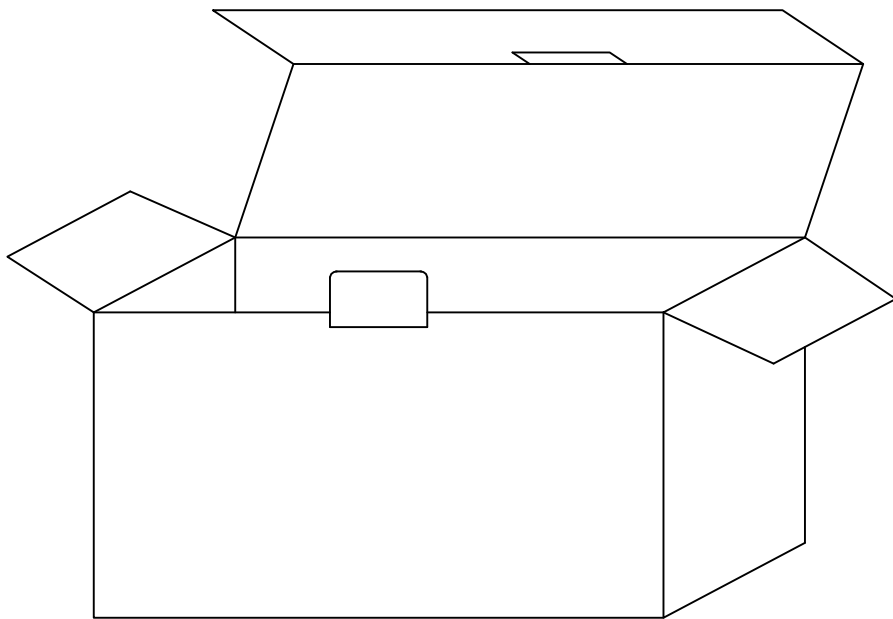
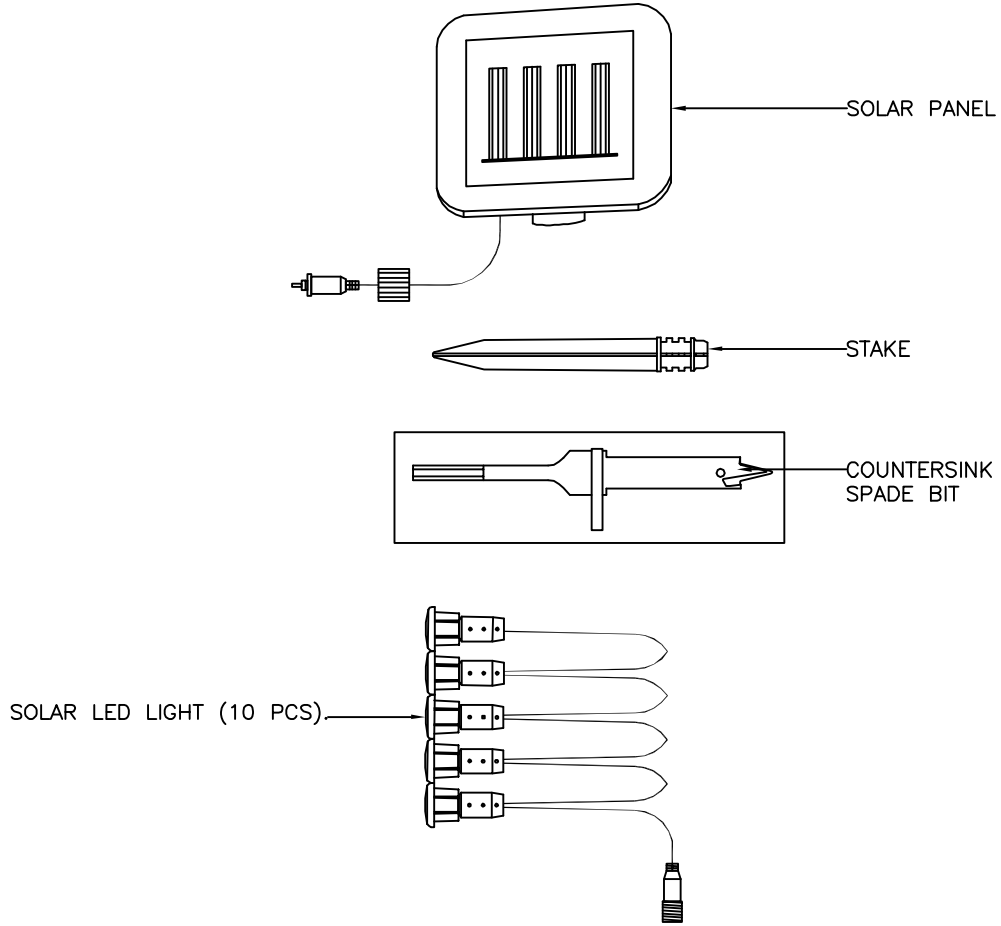


MODEL: 60506

PACKING DIAGRAM



MODEL: 60506

ASSEMBLY INSTRUCTIONS

READ AND SAVE THESE INSTRUCTIONS

READ INSTRUCTIONS ALL THE WAY THROUGH PRIOR TO ASSEMBLY.

Assembly Time: 20 Minutes.

UNPACK THE SOLAR LED LIGHT STRING

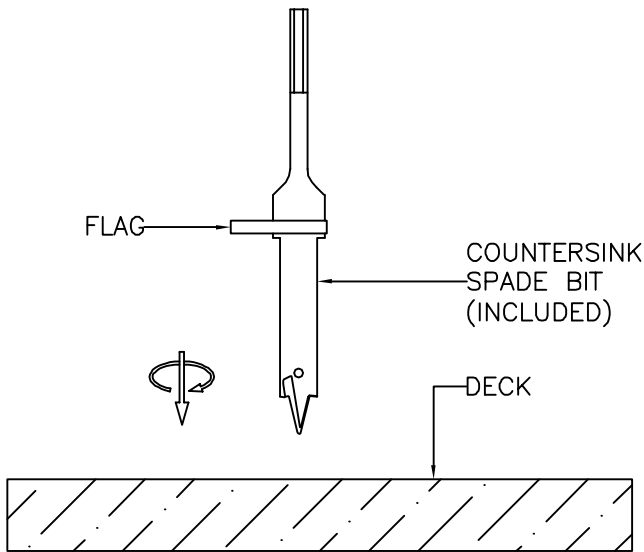
The following parts should be included in your solar light kits; (10) Solar LED Lights, (1) Solar panel, (1) Stake, (1) Countersink Spade Bit.

TOOLS

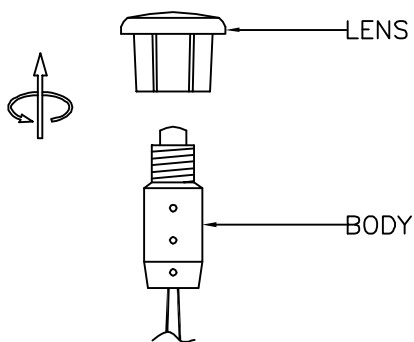
A drill will be required for deck or hard surface installation.

DECK INSTALLATION

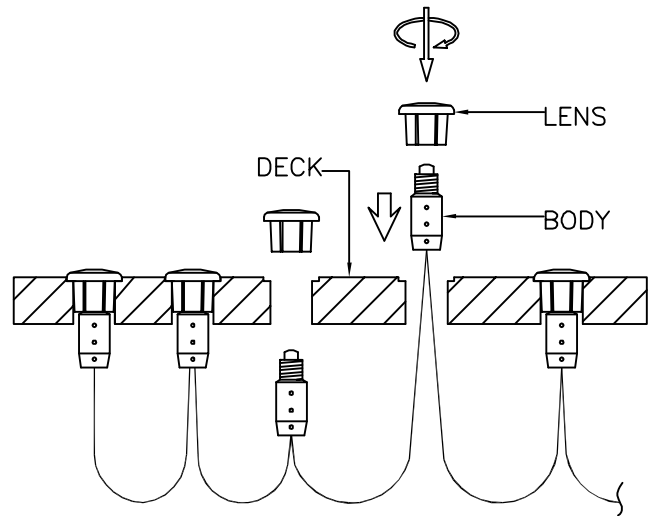
1.) Using your drill with the included spade bit, carefully drill through your deck, keep drilling until the flag touches the deck's surface.



2.) Remove the lens from the body.



3.) Slide the LED light body through the bottom of your deck.

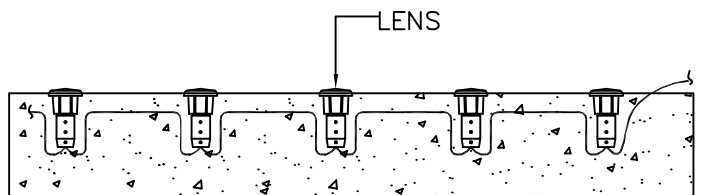


4.) Once through the hole, screw the lens to the body.

5.) Drop in place.

GROUND INSTALLATION

Bury the Solar LED Light String bodies in grass, mulch, or gravel. You may wish to create a small trench between lights in order to conceal the cable.



TIP:

Use your drill and the included spade bit for greater precision.

MODEL: 60506

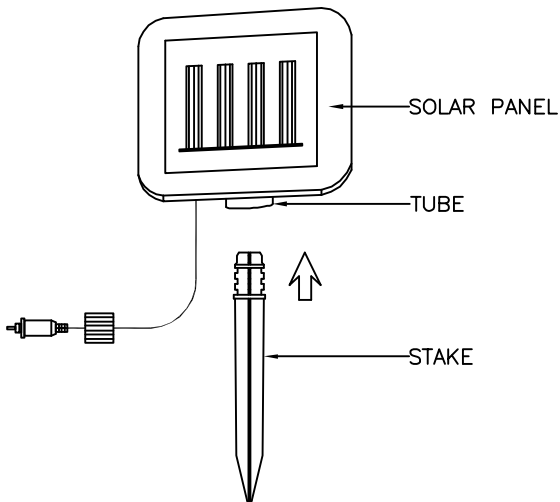
ASSEMBLY INSTRUCTIONS

READ AND SAVE THESE INSTRUCTIONS

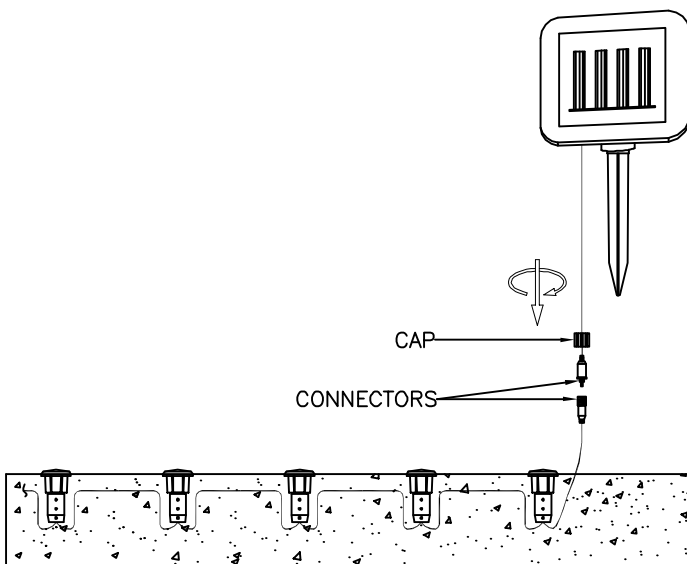
PANEL ASSEMBLY AND INSTALLATION

1.) Push stake into tube as shown below.

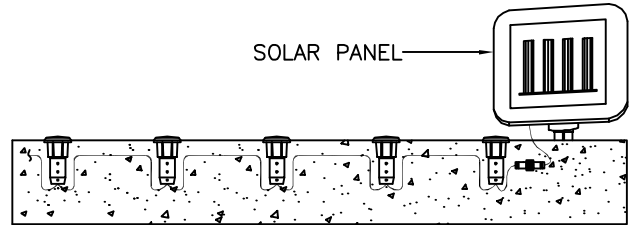
Note: You can adjust the angle of the solar panel.



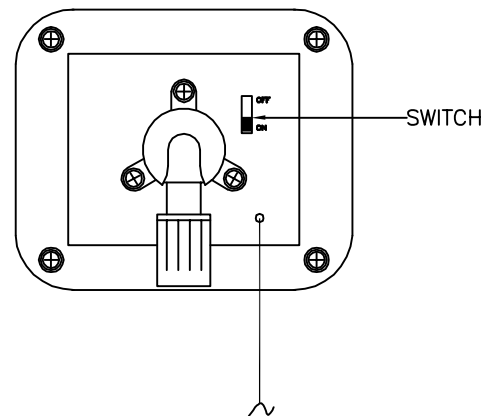
2.) Join the connectors and screw the cap tightly together.



3.) Insert the stake of solar panel into the ground in a sunny area.



4.) Once charged for 6~8 hours, your LED Light String is ready for use. Slide the switch on the back of the solar panel to turn the lights on.



BACK VIEW

5.) The Solar LED Light String will turn on automatically at dusk, lasts 9~10 hours after full charge.

6.) The Solar LED Light String accepts panel extension accessory 60509 (12' length extender cord) (sold separated).

MODEL: 60506

ASSEMBLY INSTRUCTIONS

READ AND SAVE THESE INSTRUCTIONS

TROUBLE SHOOTING:

- 1.) If your Solar LED Light is not functioning properly or losing power mid-cycle, then ensure the solar panel is positioned in direct sunlight. Your solar panel will need to collect between 6 ~ 8 hours of sunlight to function throughout a full cycle.
- 2.) Check your connections to the solar panel - a loose or improperly connected cable will cause the LED Light String to malfunction.
- 3.) Although the battery inside your Seriously Solar panel is designed for maximum longevity, overtime performance will drop - replacing the battery will correct this issue.

IMPORTANT NOTES:

- 1.) The led light will turn on automatically every night.
- 2.) Although there may be some initial charge in battery, we recommend fully charging it before first use. turn off the led light and leave the solar panel in good sunlight for 6 hours to ensure the battery is fully charged.
- 3.) To maximize solar energy intake, the solar panel may be cleaned periodically with a soft rag and water, do not use chemical solvents.