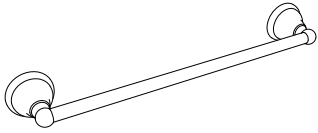




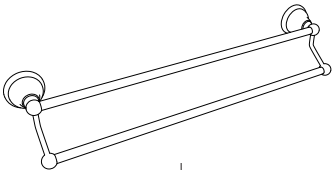
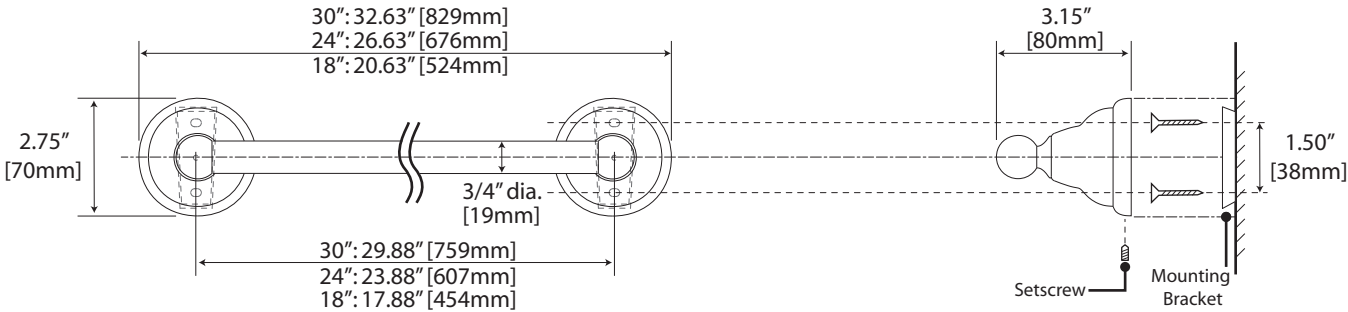
Franciscan Collection

General Specifications



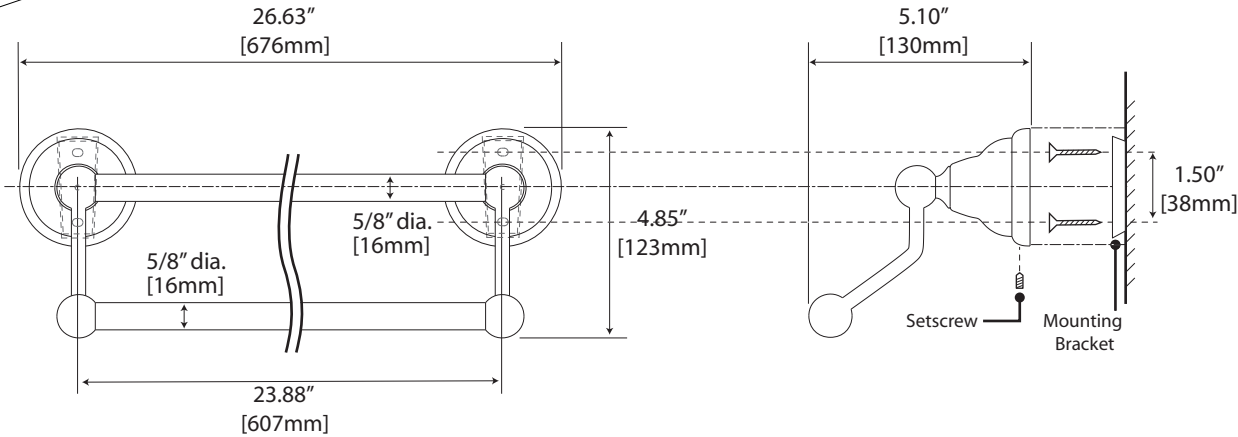
30", 24" & 18" Towel Bar

30": #5280 (Chrome & Porcelain)
 24": #5281 (Chrome & Porcelain), #5271 (Polished Brass & Porcelain)
 18": #5282 (Chrome & Porcelain), #5272 (Polished Brass & Porcelain)



24" Double Towel Bar

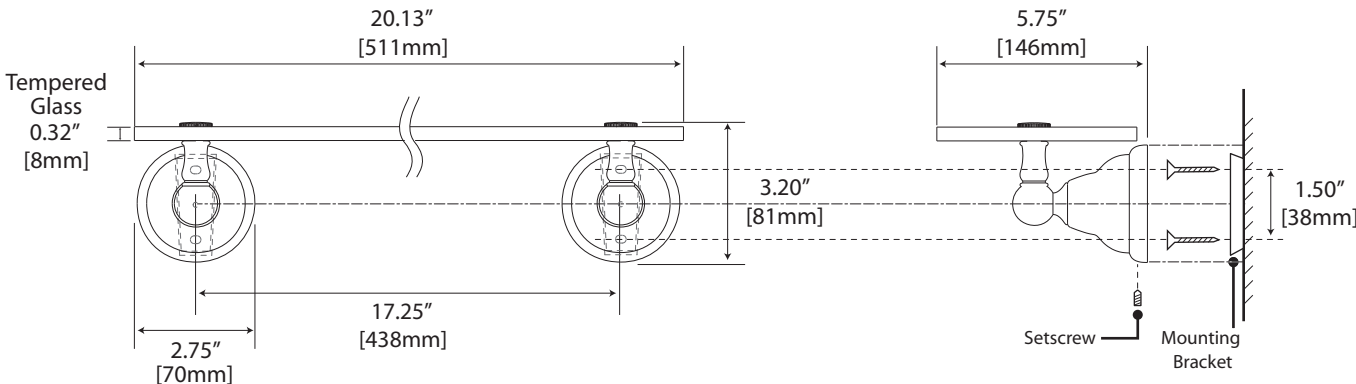
#5286 (Chrome & Porcelain), #5276 (Polished Brass & Porcelain)



Glass Shelf

#5287 (Chrome & Porcelain)
 #5277 (Polished Brass & Porcelain)

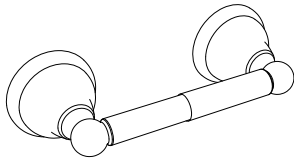
Rectangle Glass Shelf





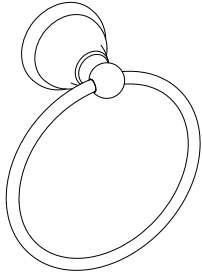
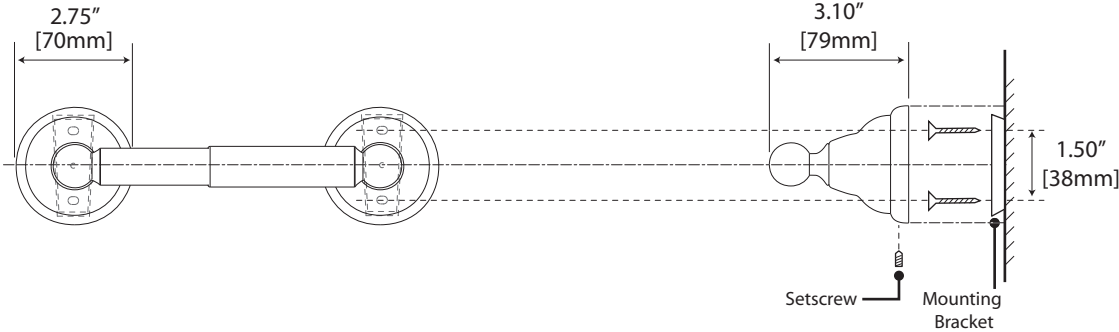
Franciscan Collection

General Specifications



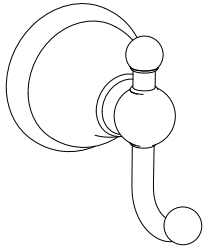
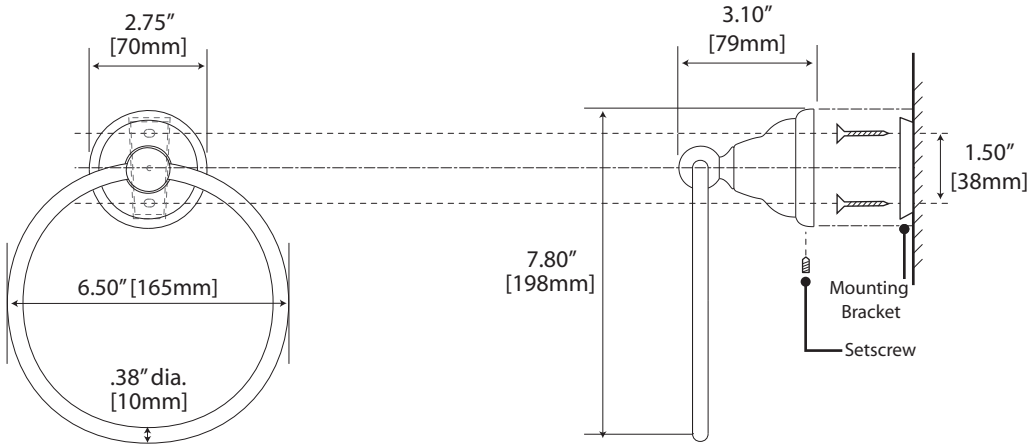
Tissue Holder

#5283 (Chrome & Porcelain)
 #5273 (Polished Brass & Porcelain)



Towel Ring

#5284 (Chrome & Porcelain),
 #5274 (Polished Brass & Porcelain)



Robe Hook

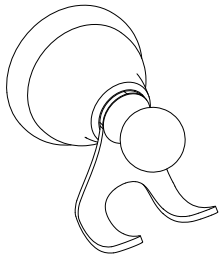
#5285 (Chrome & Porcelain)





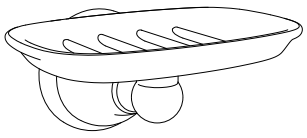
Franciscan Collection

General Specifications



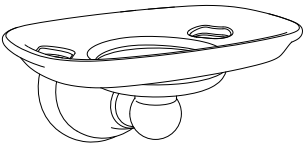
Robe Hook

#5275 (Polished Brass & Porcelain)



Soap Dish

#5288 (Chrome & Porcelain)
#5278 (Polished Brass & Porcelain)



Tooth Brush & Tumbler Holder

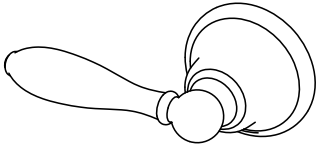
#5289 (Chrome & Porcelain)
#5279 (Polished Brass & Porcelain)





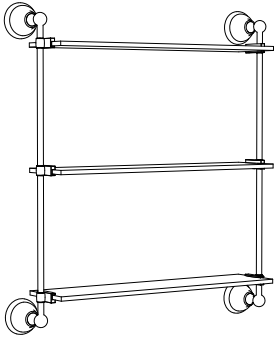
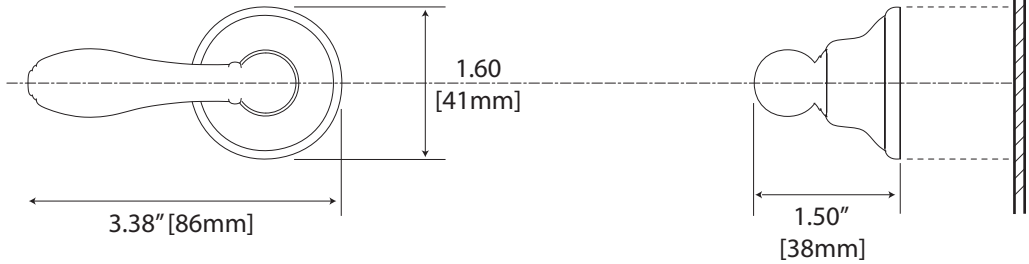
Franciscan Collection

General Specifications



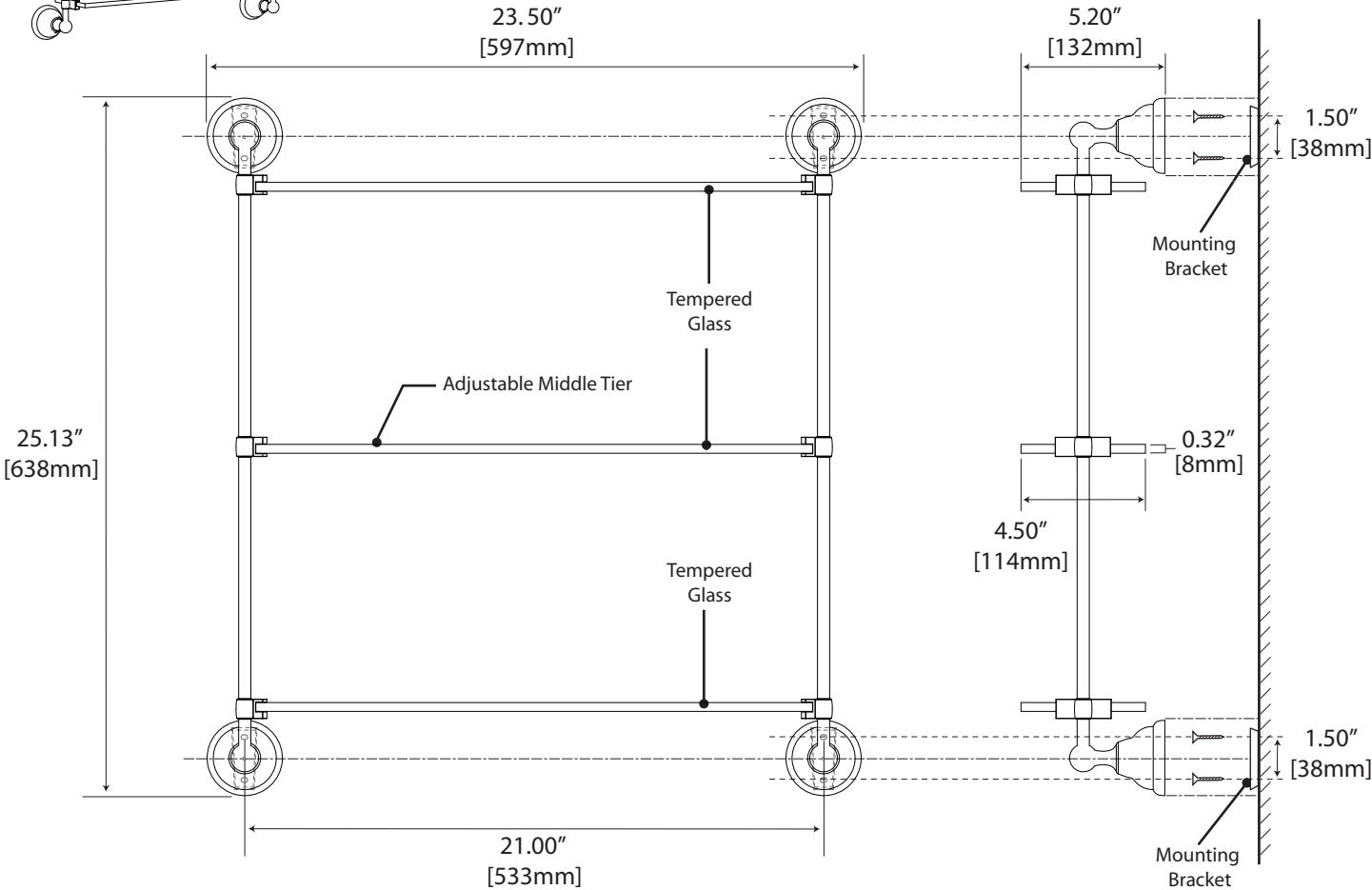
Tank Lever

#4963 (Chrome & Porcelain)



3-Tier Adjustable Shelf

#1395 (Chrome & Porcelain)



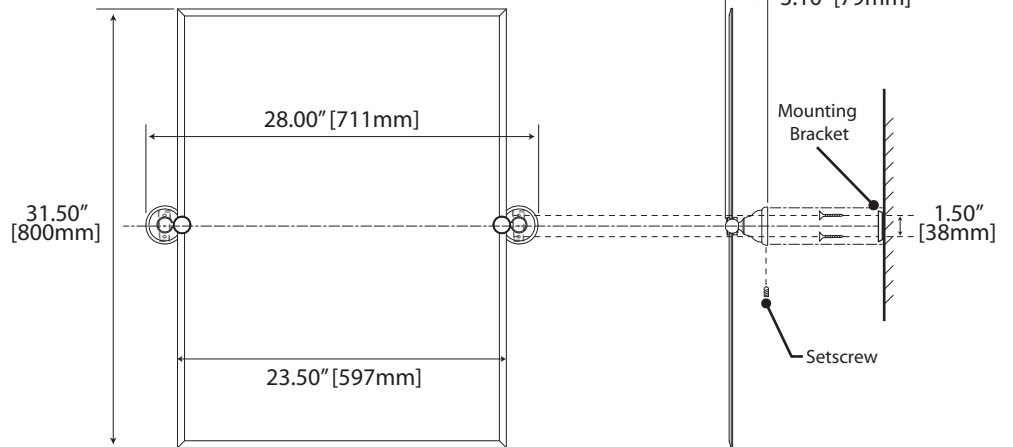
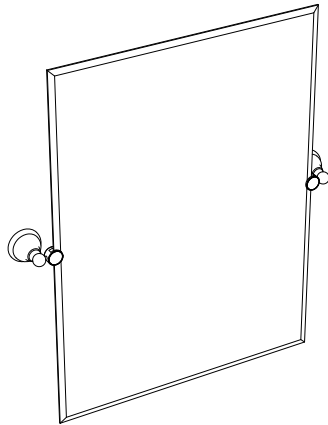


Franciscan Mirrors

General Specifications

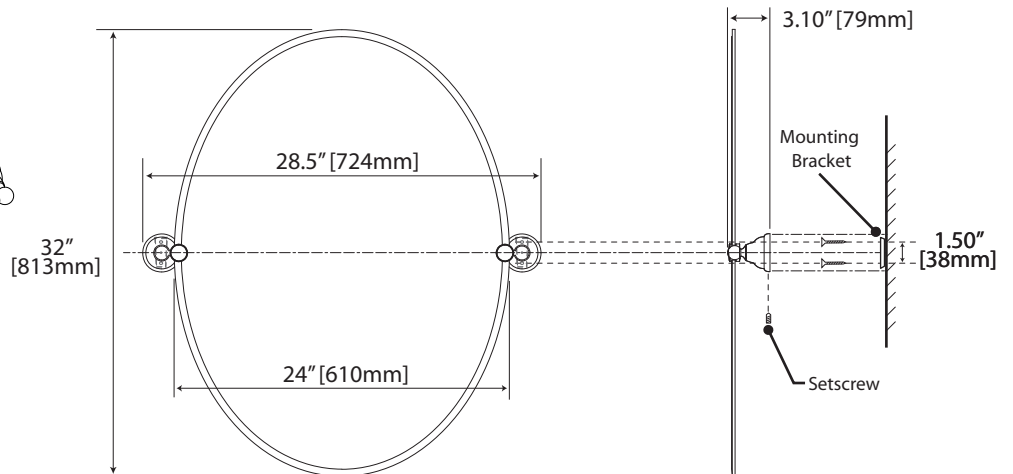
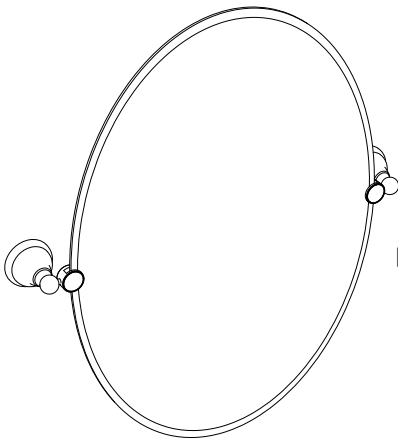
Rectangle Mirror

#4962 (Chrome & Porcelain)



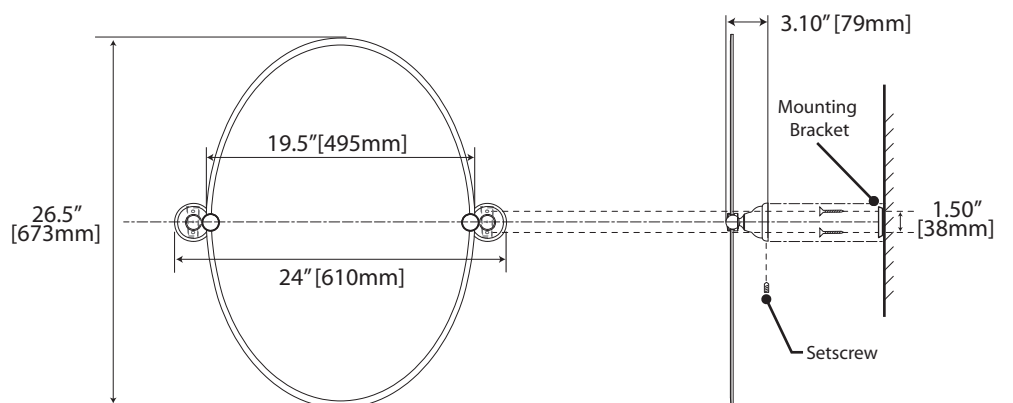
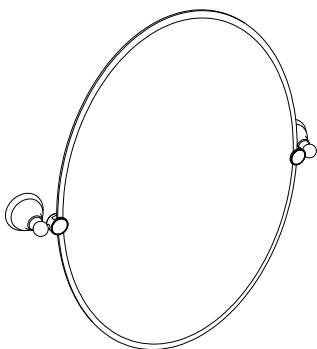
Large Oval Mirror

#4961 (Chrome & Porcelain)



Oval Mirror

#5726 (Chrome & Porcelain), #4912 (Polished Brass & Porcelain)



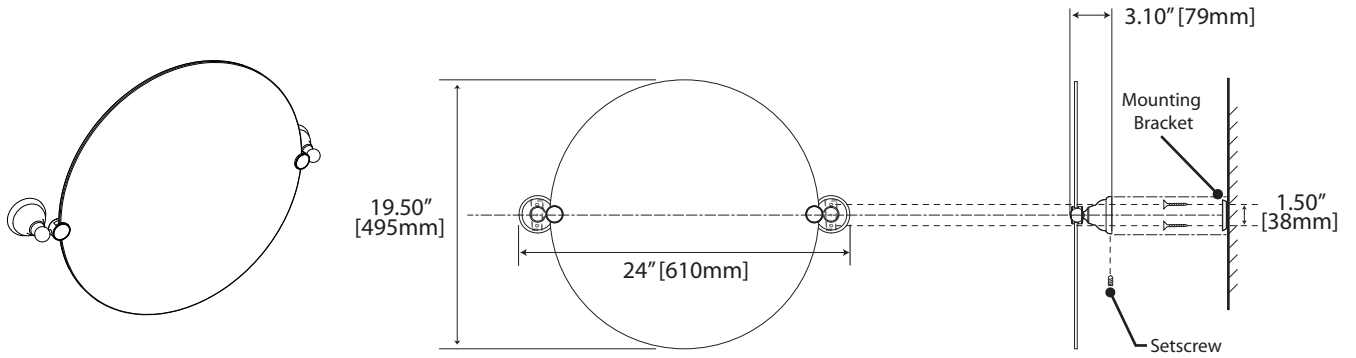


Franciscan Mirrors

General Specifications

Round Mirror

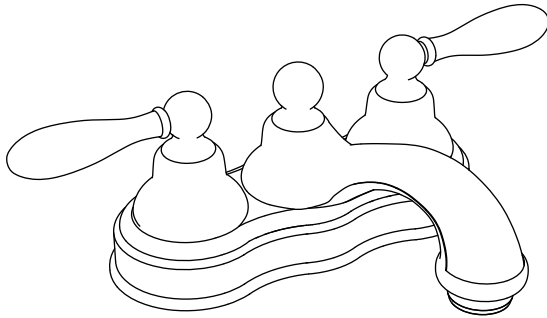
#5768 (Chrome & Porcelain), #5766 (Polished Brass & Porcelain)





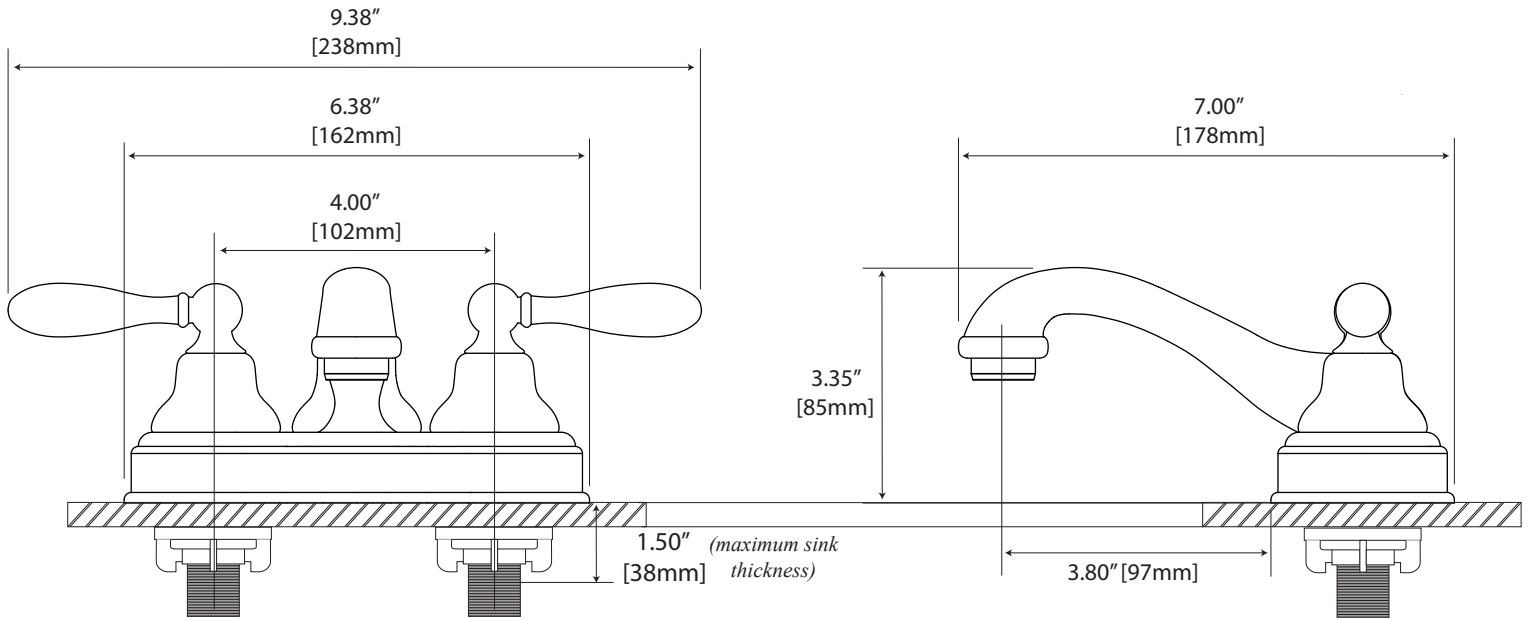
Franciscan Collection

General Specifications



Centerset Faucet

#5688 (Chrome & Porcelain)



General Specifications:

- Waterways constructed of Solid Brass
- No-drip ceramic disc valves
- Double plated chrome finish
- ½" IPS connection
- Includes pop-up waste assembly

Product Certifications:

- Certified to ANSI/NSF 61/9
- Complies with California Proposition 65
- Complies with ASME A112.18.1 / A112.18.3
- IAPMO Listed

Warranty:

Lifetime limited warranty against defects in material, finish and workmanship to the original consumer purchaser.