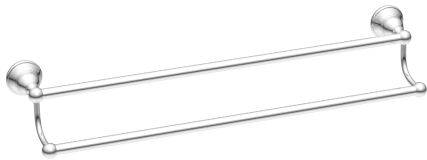
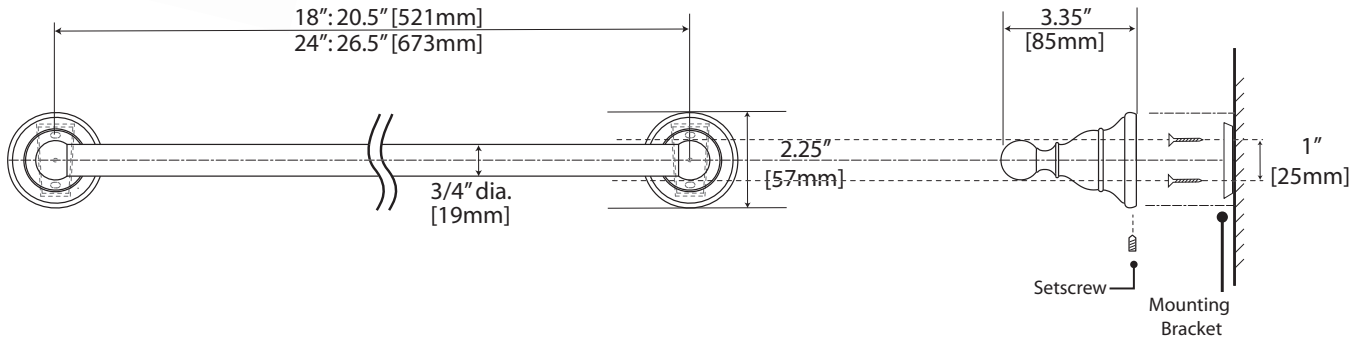




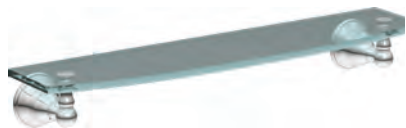
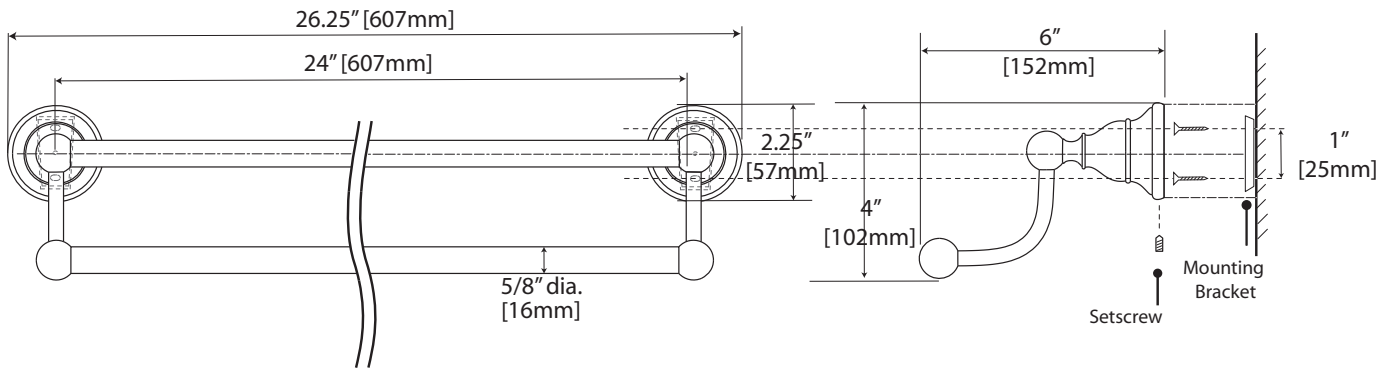
**24" & 18" Towel Bar**

18": #4801 (Chrome), #4811 (Satin Nickel), #4821 (Bronze)  
24": #4800 (Chrome), #4810 (Satin Nickel), #4820 (Bronze)



**24" Double Towel Bar**

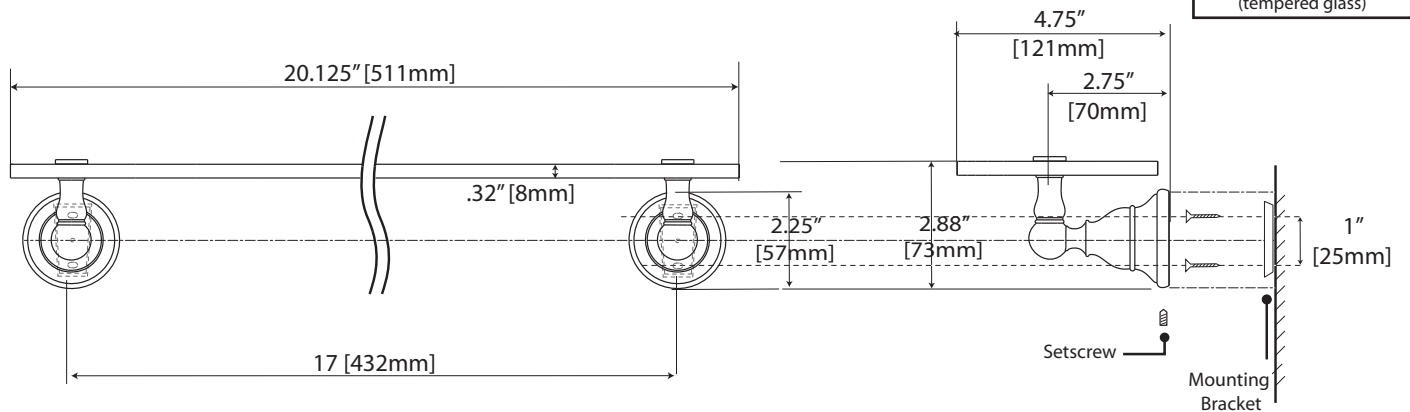
#4804 (Chrome), #4814 (Satin Nickel), #4824 (Bronze)



**Glass Shelf**

#4806 (Chrome), #4816 (Satin Nickel), #4826 (Bronze)

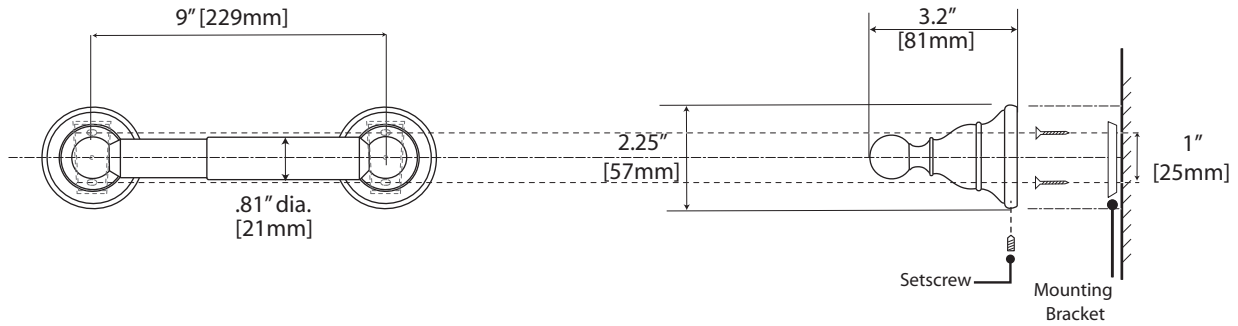
Curved Glass Shelf  
(tempered glass)





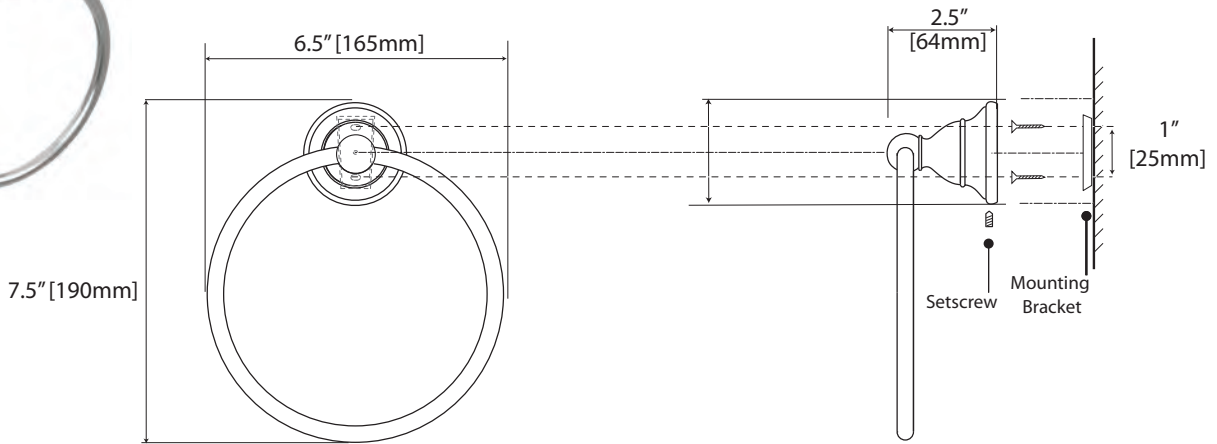
**Toilet Tissue Holder**

#4803 (Chrome), #4813 (Satin Nickel), #4823 (Bronze)



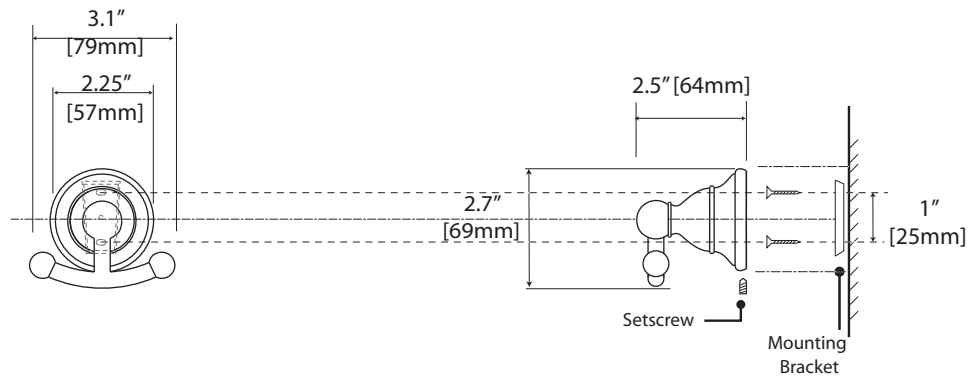
**Towel Ring**

#4802 (Chrome), #4812 (Satin Nickel), #4822 (Bronze)



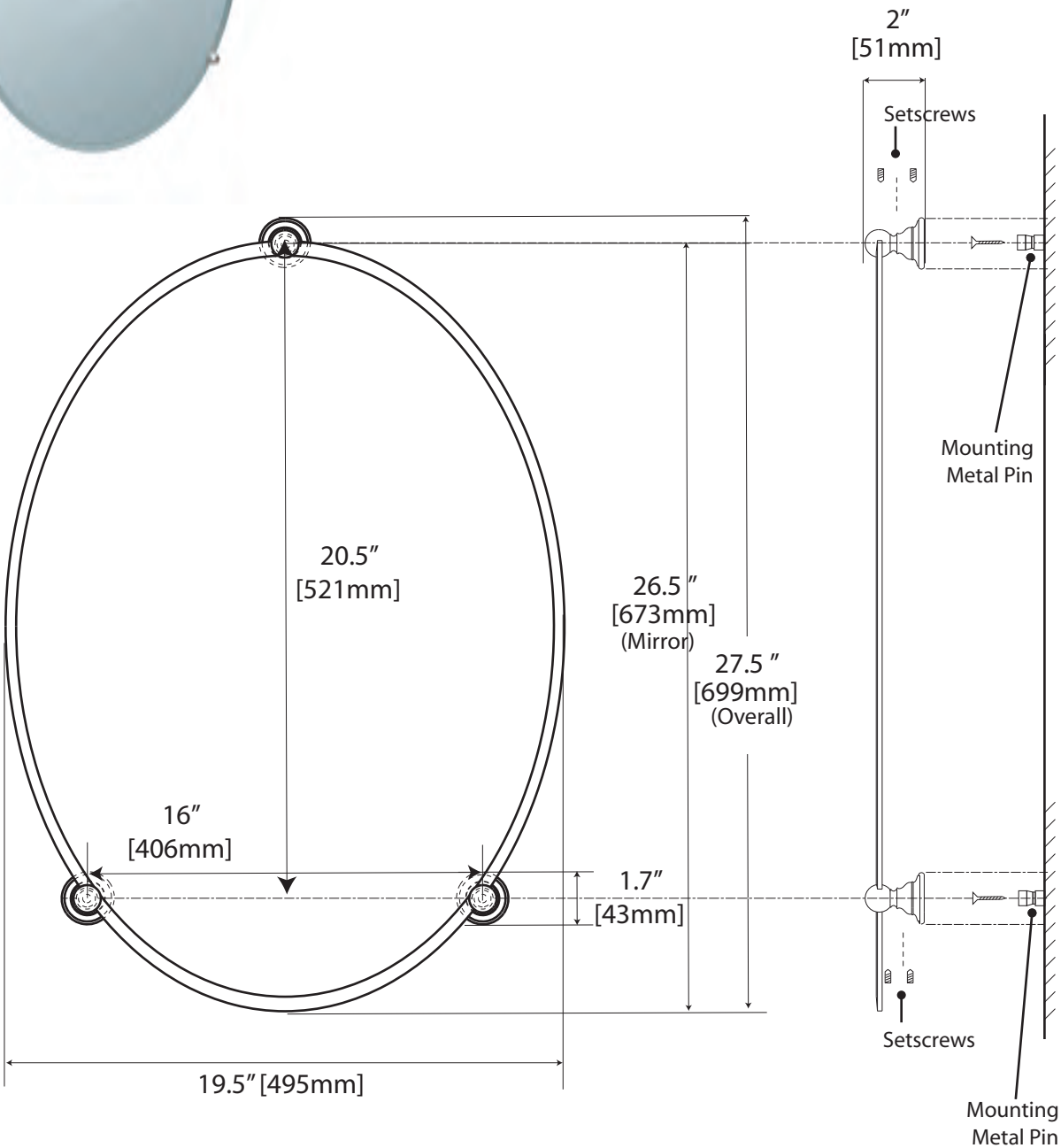
**Robe Hook**

#4805 (Chrome), #4815 (Satin Nickel), #4825 (Bronze)



**Classic Oval Mirror**

#1565 (Chrome), #1566 (Satin Nickel), #1567 (Bronze)

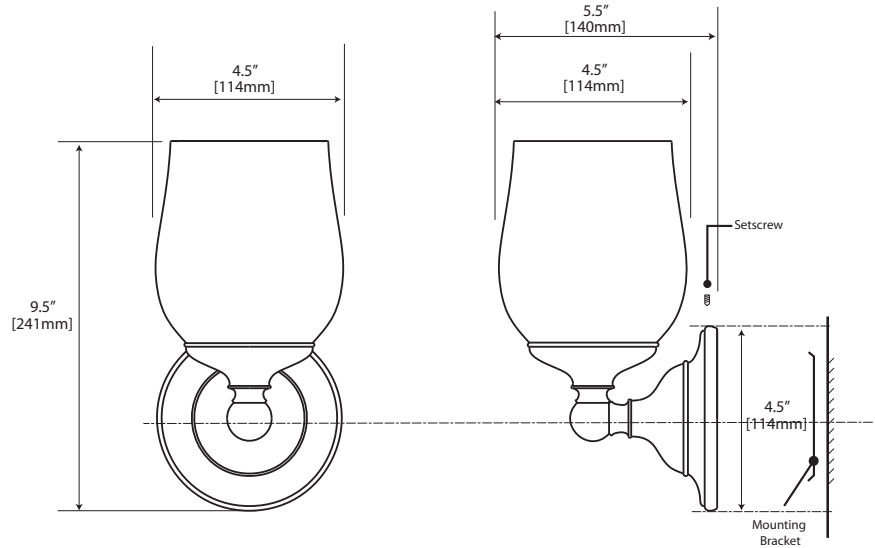


The manufacturer reserves the right to, and do time to time, make changes and improvements in designs and dimensions.

Updated on February 09, 2009

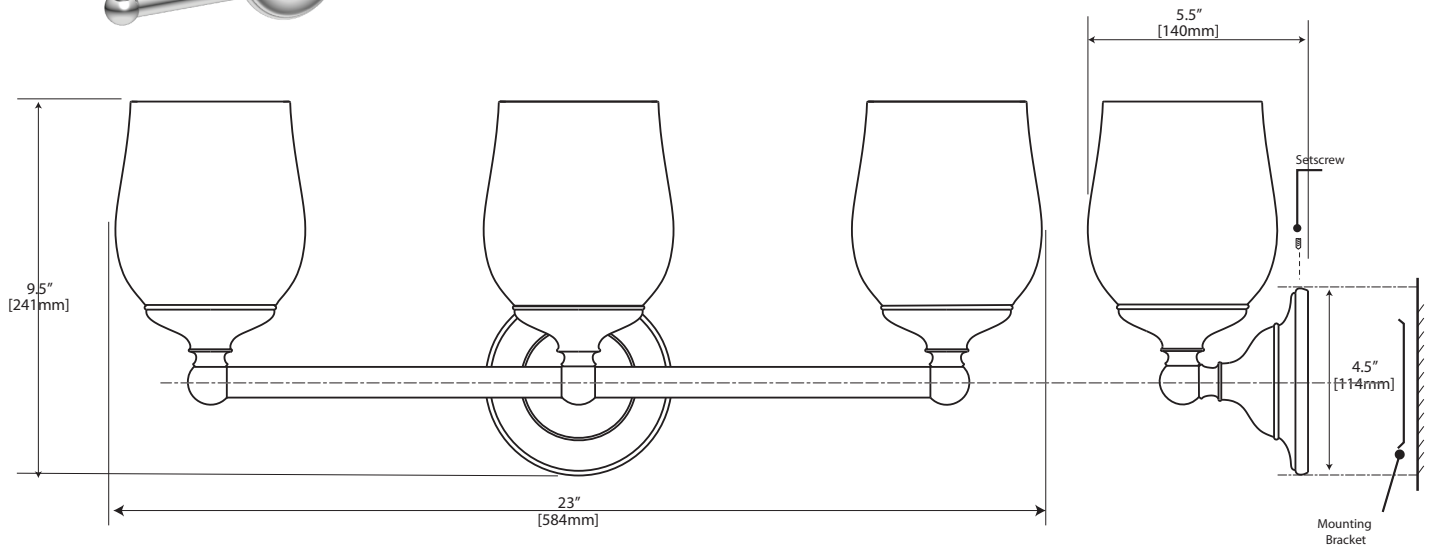
**Single Sconce**

#1650 (Chrome), #1651 (Satin Nickel), #1652 (Bronze)  
Requires one medium base light bulb (100 watt maximum)



**Triple Sconce**

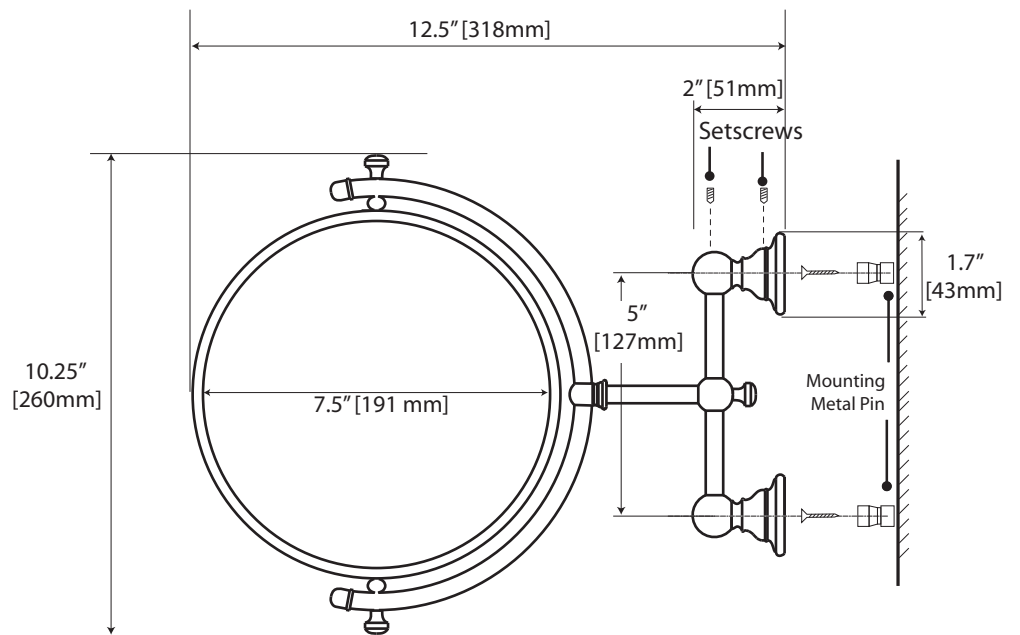
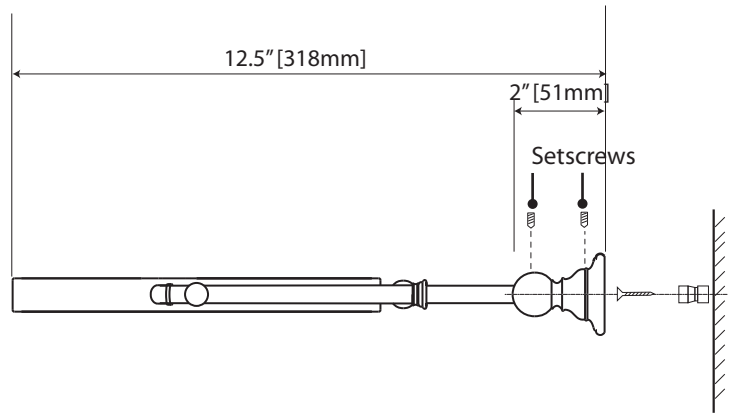
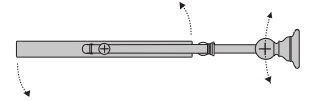
#1656 (Chrome), #1657 (Satin Nickel), #1658 (Bronze)  
Requires three medium base light bulbs (100 watt maximum)



The manufacturer reserves the right to, and do time to time, make changes and improvements in designs and dimensions.  
Updated on February 26, 2009

**Extension Mirror**

#1427 (Chrome), #1428 (Satin Nickel)



The manufacturer reserves the right to, and do time to time, make changes and improvements in designs and dimensions.  
Updated on February 26, 2009

**Traditional Rack**

#1526 (Chrome), #1527 (Satine Nickel)

