



RESIDENTIAL PLASTIC TOILET SEAT

MODEL #

COLOR #

380SLOWT

DESCRIPTION:

Closed front with cover, elongated, heavy weight injection molded solid plastic toilet seat. Features four, large molded-in bumpers, Whisper•Close® with Easy•Clean & Change™ color-matched hinges with STA-TITE® Residential Fastening System™. Seat contains DuraGuard®* an antimicrobial agent. This seat meets or exceeds Residential ANSI Standard Z-124.5.

* DuraGuard® is available on certain colors only, see Church Price List for additional information.

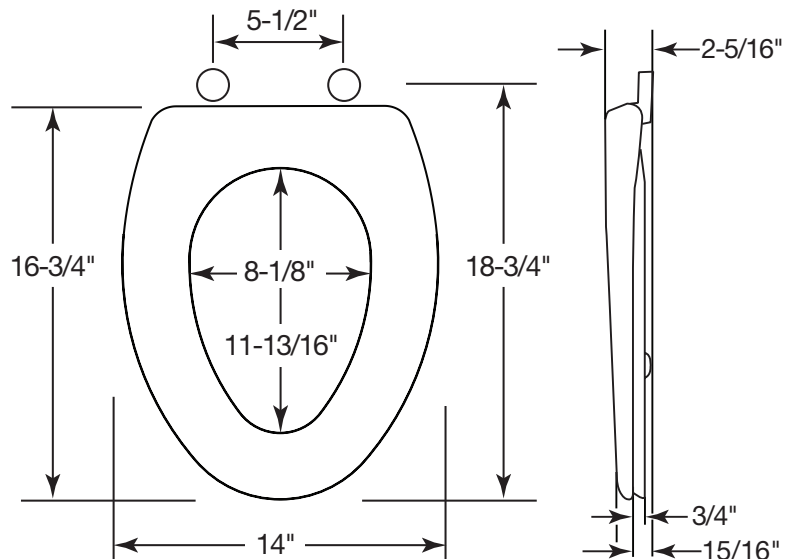
SPECIFICATIONS:

Size:	Elongated
Material:	Plastic
Style:	Closed Front with Cover
Bumpers:	Four
Hinges:	Plastic Whisper•Close® with Easy•Clean & Change™
Fastening System:	STA-TITE® Residential Fastening System™

FEATURES:

- Whisper•Close®
- Easy•Clean & Change™
- STA-TITE® Residential Fastening System™
- DuraGuard® Antimicrobial

DIMENSIONS:



TWIST HINGE TO UNLOCK



EASY REMOVAL OF SEAT FOR THOROUGH CLEANING



WHISPER•CLOSE® FEATURE



STA-TITE® HARDWARE

Proudly Made in the USA

Church Seats., Sheboygan Falls, WI 53085
www.ChurchSeats.com

Phone: 920-467-2664 | 800-233-7328 Fax: 920-467-8573