

C O M M E R C I A L P L A S T I C S E A T S



955CT

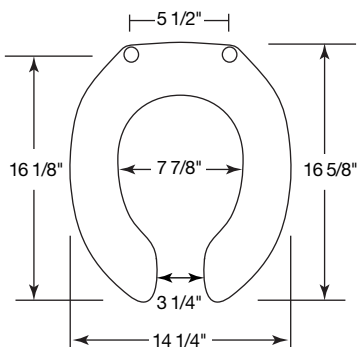
Seats shall be No. _____ as manufactured by Bemis Manufacturing Co. Seats shall be heavy weight and injection-molded of solid plastic. Seats shall be open front less cover for round bowl and feature large molded-in bumpers. Seats shall have STA-TITE®, Commercial Fastening System™, featuring external check hinges with 300 Series stainless steel posts and pintles that stop seat 11 degrees beyond vertical.

Color to be _____.
(Specify white or fixture manufacturer's color.)

Hinges shall be 955CT / 955SSCT.
(Circle model based on description below.)

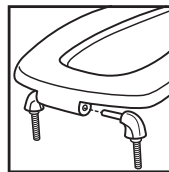
955CT STA-TITE®, external check hinge stops seat 11° beyond vertical.

955SSCT STA-TITE®, Stainless steel, self-sustaining and external check hinge holds seat in any raised position up to 11° beyond vertical.

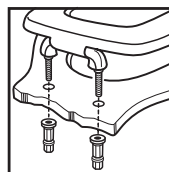


Ring thickness is 1"
Ring thickness including the bumper is 1-3/16"

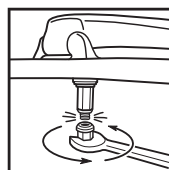
STA-TITE®



Assemble hinges.



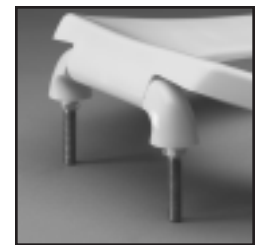
Finger-tighten fastening nuts.



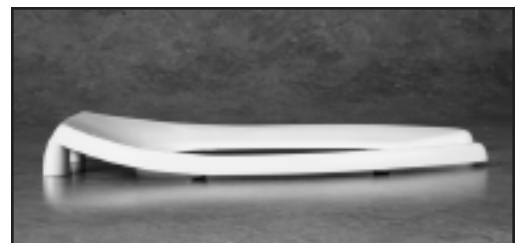
Using wrench, tighten until lower portion shears off.



STA-TITE®, COMMERCIAL FASTENING SYSTEM™, ONE-PIECE INTEGRATED NUT AND WASHER



CONCEALED CHECK HINGE



CONTOURED SEAT