

FUCSIA 3 - Specification Sheet
by Achille Castiglioni, 1996

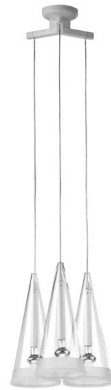
Mounting	Ceiling pendant
Lamp (Bulb) Description	3 x 40W R50 E14 Reflector Incandescent
Environment	Indoor
Finish	N/S
Technical and Product Description	FUCSIA 3 pendant fixture providing both diffused and direct light. Three conical blown glass diffuser with a 1.5" sandblasted edges and translucent silicone rings. Available in various configurations with corresponding white ceiling rose. Non UL version has clear cord

Electrical

Emergency Switching	Without
Voltage (V)	120

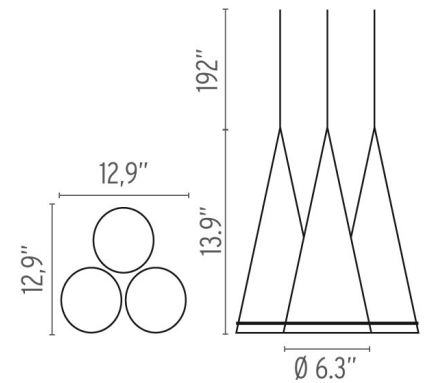
Physical

Supply	N/S
Cord length (inches)	192
Construction material	Glass, Silicone, Steel
Weight	13 lbs



FU241100 Glass

Dimensions



Certifications



Lamping (Bulbs)



40W R50 E14 Reflector Incandescent

