

SUPERARCHIMOON OUTDOOR - Specification Sheet
 by Philippe Starck, 2006

Mounting	
Lamp (Bulb) Description	1 x 250W T-10 Medium Frosted Halogen
Environment	Outdoor
Finish	Titanium color for PANAMA version, carbon color for GREEN WALL version
Technical and Product Description	Outer diffuser obtained from weaves of colored PVC tubes compounds with polyester painted phospho-chromated aluminum tubular internal frame. Inner diffuser in injection-molded opal polycarbonate. "Galvanized" structural parts (base support)



Electrical

Emergency Switching	Without N/S
---------------------	-------------

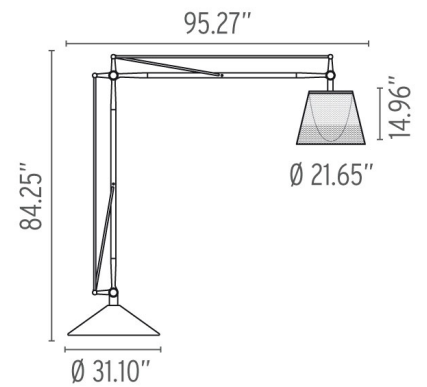
Physical

Supply	
Cord length (inches)	
Construction material	N/S
Weight	N/S lbs



-  FU636722 Panama
-  FU636741 Green wall

Dimensions



Lamping (Bulbs)



250W T-10 Medium Frosted Halogen

