

Romeo Moon S - Specification Sheet
 by Philippe Starck, 1996

Mounting

Lamp (Bulb) Description	1 x 26W PL G24Q-3 Fluorescent
Environment	Indoor - Dry Location
Finish	Glass
Technical and Product Description	ROMEIO MOON S Pendant fixture providing diffused light, supported by three steel cables. Molded glass lampshade and etched internal white glass diffuser. 15 transparent cord.

Electrical

Voltage	120
Switching	NA

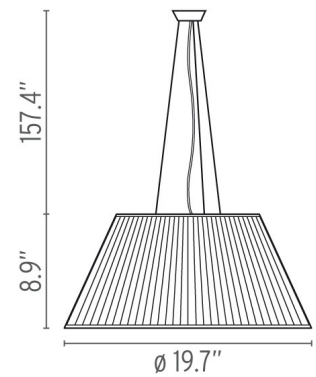
Physical

Cord Length (inches)	157
Construction Material	Glass, Polycarbonate
Weight	16.8 lbs



FU613200 Glass

Dimensional Image



Certifications



Lamping (Bulb)



26W PL G24Q-3 Fluorescent