

**Romeo Moon S - Specification Sheet**  
by Philippe Starck, 1996

**Mounting**

Lamp (Bulb) Description	1 x 150W A-21 Medium Frosted Incandescent
Environment	Indoor - Dry Location
Finish	Glass
Technical and Product Description	ROMEIO MOON S Pendant fixture providing diffused light, supported by three steel cables. Molded glass lampshade and etched internal white glass diffuser. 15 transparent cord.

**Electrical**

Voltage	120
Switching	NA

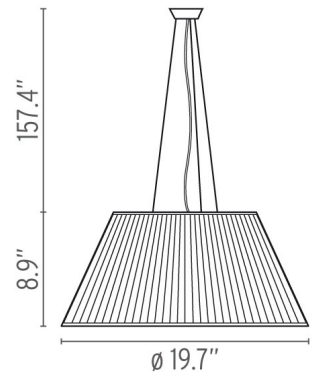
**Physical**

Cord Length (inches)	157
Construction Material	Glass, Polycarbonate
Weight	16.8 lbs



FU611000 Glass

**Dimensional Image**



**Certifications**



**Lamping (Bulb)**



150W A-21 Medium Frosted Incandescent

