

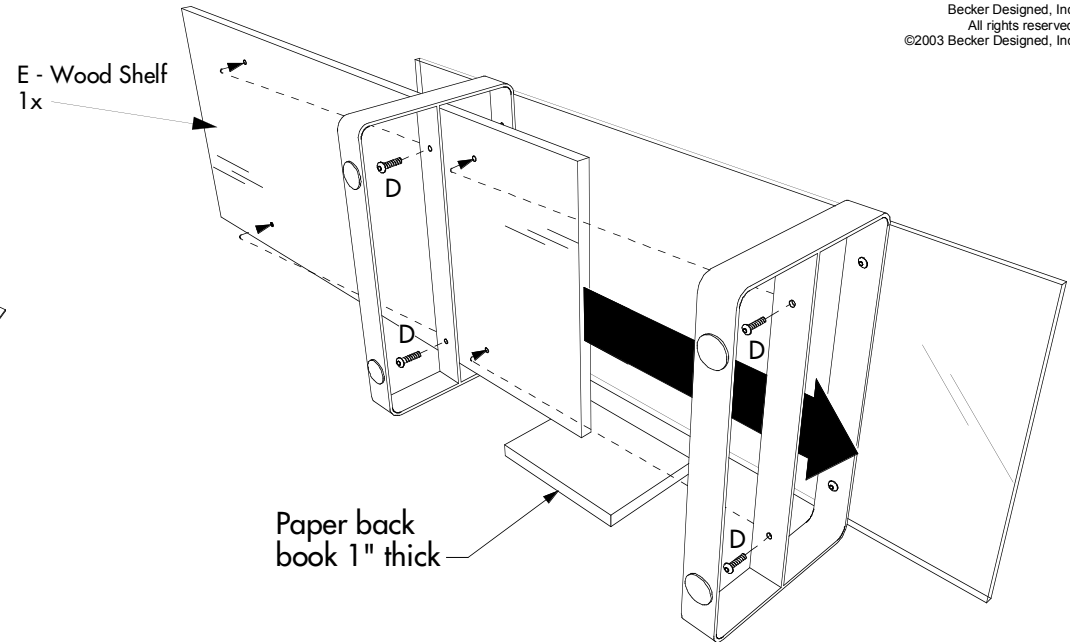
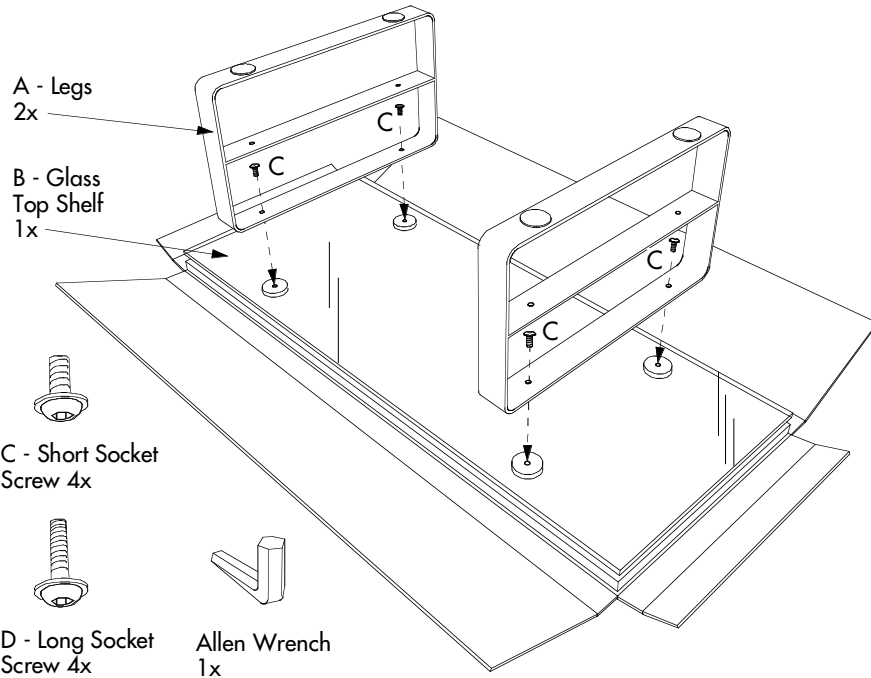
Stream™ Table

Becker Designed, Inc.
14101-A Parke Long Court
Chantilly, VA 20151
www.bdiusa.com

Assembly Instructions
Wood-Glass

Designed by:
Cristian Wicha

'Stream' is a trademark of
Becker Designed, Inc.
All rights reserved.
©2003 Becker Designed, Inc.



Start Here:

Open boxes, but, **DO NOT REMOVE SHELVES**. Identify the parts shown above. If any parts are damaged or missing contact BDI customer service at: info@bdiusa.com.

Step 1. Using the illustration above as a guide, attach the legs (A) to the glass top (B) as shown using short screws (C). This should be done **BEFORE** removing top from the box so that top is not scratched prior to assembly. Use allen wrench to tighten screws.

Step 2. Carefully rotate 90 degrees so that the table is resting on its side on a non-marring surface. For easiest installation find a paperback book about 1" thick and place on floor between legs as shown, or, find a non-abrasive material to temporarily cover inside edge of legs.

Step 3. Carefully slide lower wood shelf (E) into place being careful not to bump the metal legs. Rest the shelf on the book and locate the 4 long socket screws (D) and allen wrench. Insert screws and tighten.

Cleaning. Use damp cloth to clean wood and steel parts. Use mild soap on damp rag to remove difficult stains. As with any wood furniture do not leave wet objects on wood surfaces. Doing so will damage the finish.

Enjoy!