

HIGH PERFORMANCE
FURNITURE FOR YOUR
H O M E



End Table (Model 1110) and Coffee Table (Model 1106)

Fin Table™

www.bdiusa.com
customerservice@bdiusa.com

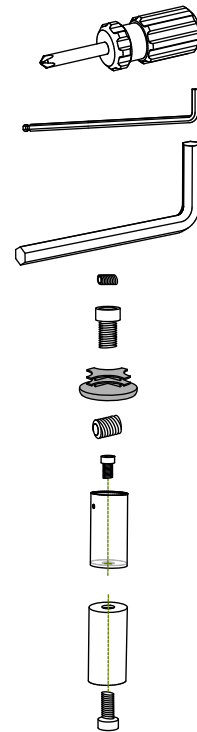
Your Fin Table™ is designed and engineered for easy assembly. Carefully follow this procedure to prevent any damage.

Placement and Maintenance

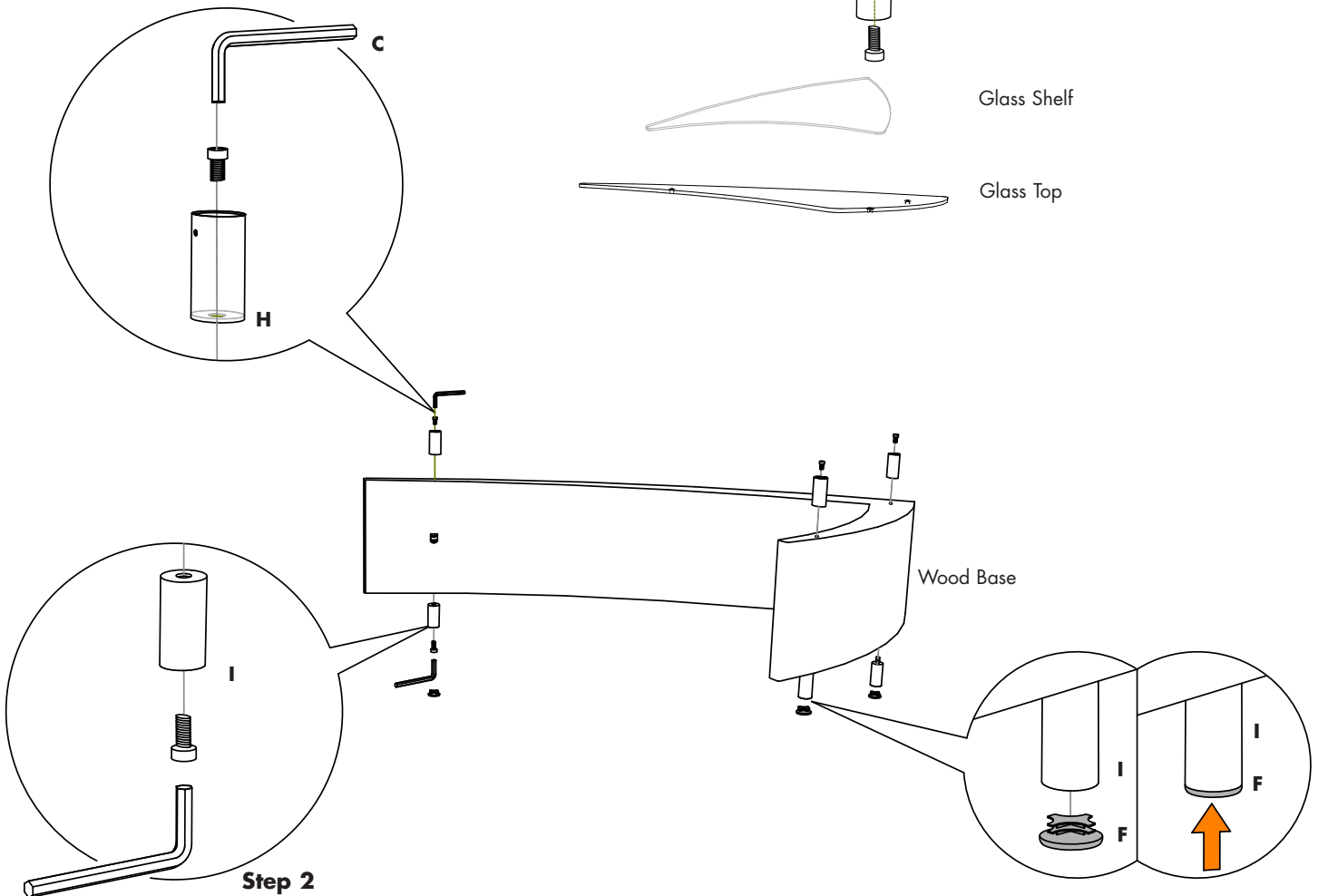
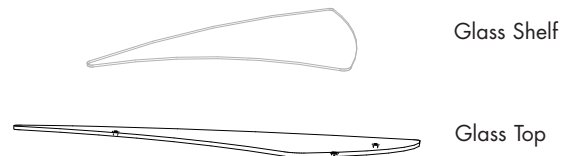
Fin Table™ is designed for indoor use on level floors. Clean glass with glass cleaner, and steel parts and wood veneer with a moist cloth.

Step 1 - Unpack and identify parts listed.

The assembly workspace should be a non-marring surface such as carpet. For missing hardware pieces, please contact BDI Customer Service at: customerservice@bdiusa.com For all other concerns please contact your local BDI Retailer.



- A** - Phillips Screwdriver x 1
- B** - Small Hex Wrench with Ball End x 1
- C** - Large Hex Wrench x 1
- D** - Set Screw x 3
- E** - Cap Screw x 6
- F** - Glide x 3
- G** - Plastic Set Screw for Glass Shelf x 3
- H** - Glass Support Tube x 3
Glass support tubes have small set screw just below open end.
- I** - Leg x 3



Step 2

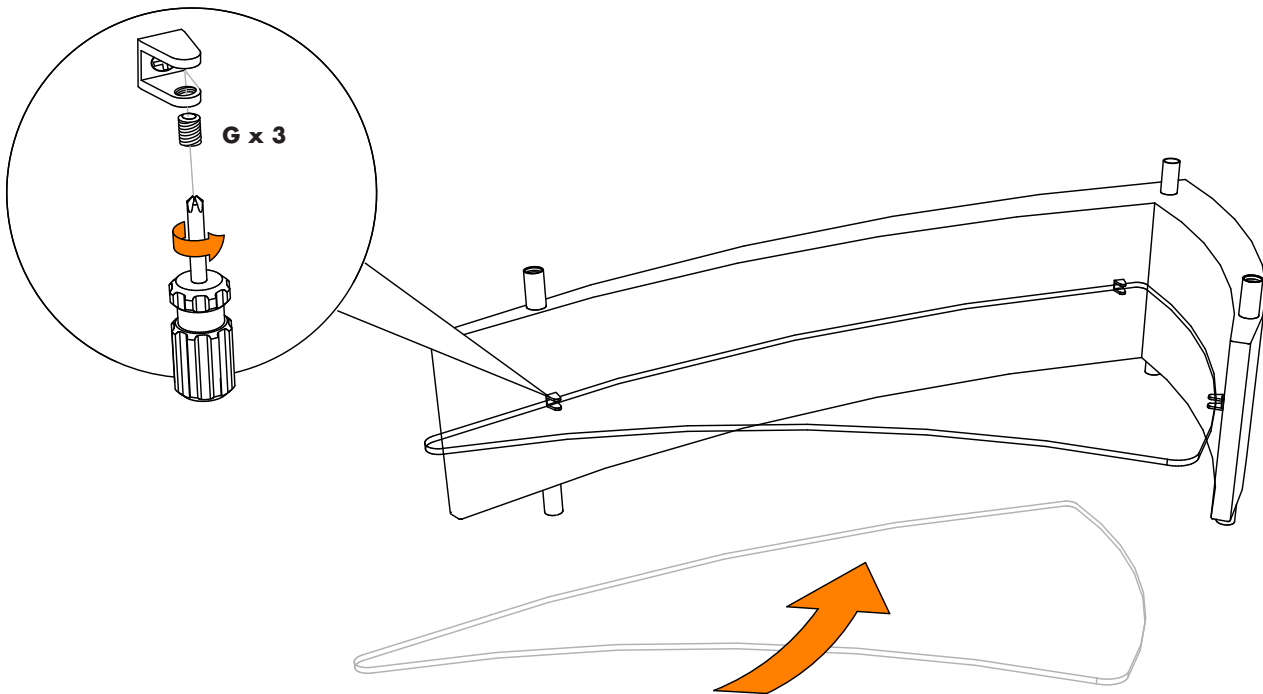
Wood direction/orientation is critical.

After locating the **"BOTTOM SIDE"** label on wood base, attach legs (**I**) to bottom side with Cap Screw using the Large Hex Wrench (**C**) and then snap in Glides (**F**). Install Glass Support Tube (**H**) to top edge of wood part using the Large Hex Wrench (**C**).

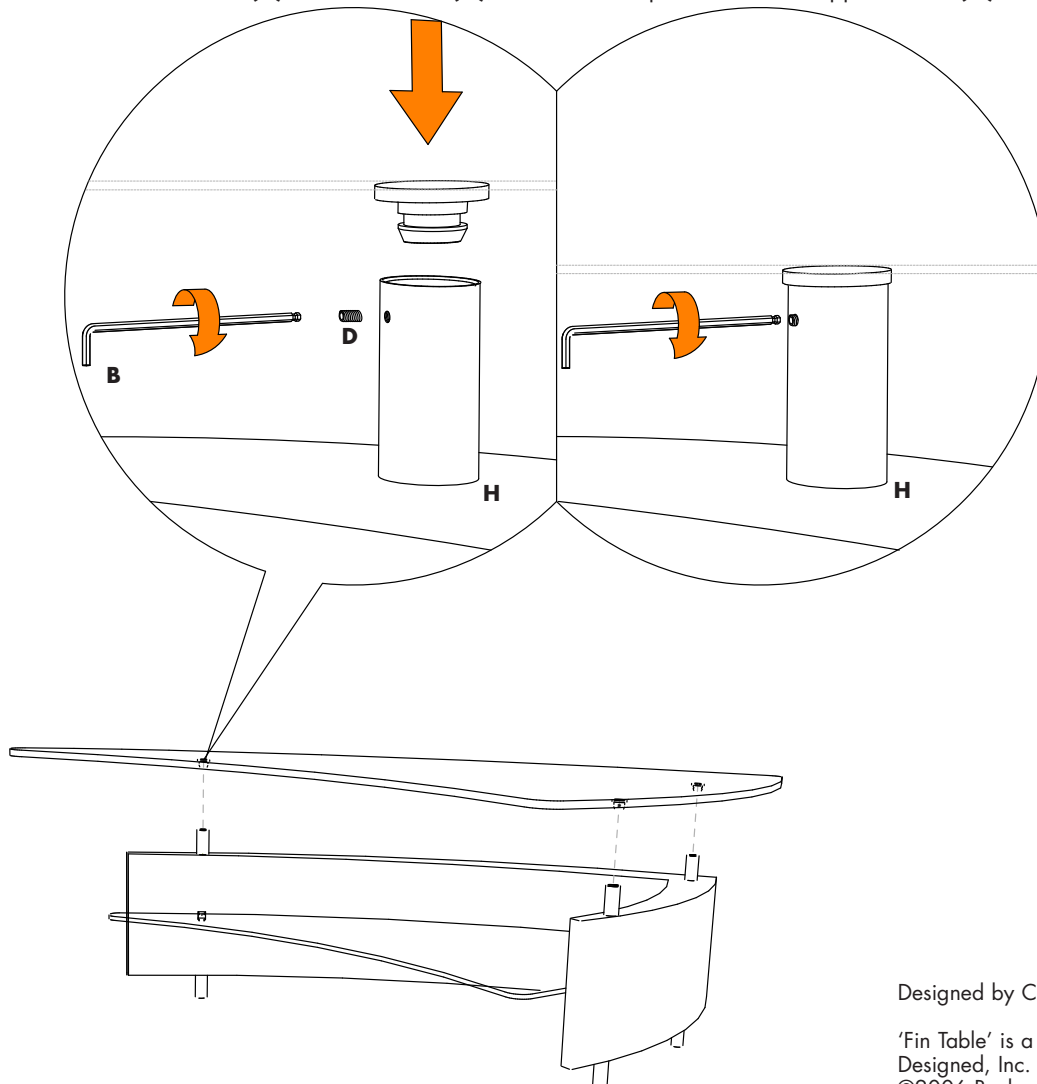
NOTE: The Glass Support Tubes have a small set screw just below the open end.

Step 3 - Install glass shelf

Using the Phillips Screwdriver (A), fasten glass shelf with Plastics Screws (G) to the pre-installed shelf supports as shown below.



Step 4 - Using the Small Hex Wrench (B) and Set Screw (D), install table top to the Glass Support Tubes (H) as shown below.



Designed by Cristian Wicha.

'Fin Table' is a trademark of Becker Designed, Inc. All rights reserved.
©2006 Becker Designed, Inc.