



**CASCADIA™ OFFICE** A great solution anywhere that space is limited, CASCADIA is terrific for a home office. The collection includes a two-drawer desk, a unique mobile file pedestal and a versatile console/laptop desk. With beautifully finished surfaces, CASCADIA is available in three elegant wood finishes and a striking Satin White finish.

CASCADIA™ OFFICE  
BDI



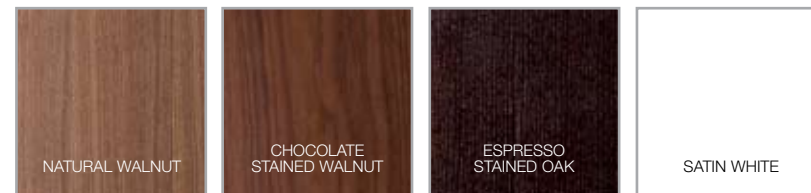
CASCADIA DESK 6201 AND MOBILE FILE CABINET 6207 IN SATIN WHITE FINISH.



CASCADIA TABLES

CASCADIA HOME THEATER

The CASCADIA collection includes home theater cabinets, occasional tables and home office furniture that are designed to coordinate beautifully.



NATURAL WALNUT

CHOCOLATE STAINED WALNUT

ESPRESSO STAINED OAK

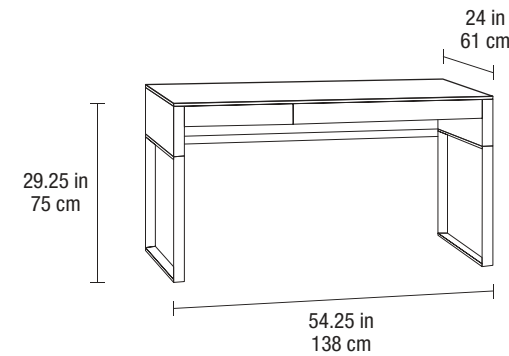
SATIN WHITE

DESIGN  
MATTHEW WEATHERLY

For the most up-to-date product specifications, visit [www.bdiusa.com](http://www.bdiusa.com). BDI's products are protected by US patent, international patent, trade dress, and/or copyright laws. "Cascadia" and BDI are trademarks of Becker Designed Inc. All rights reserved. Refer to current price list or contact BDI for specific model and finish availability. Materials and specifications subject to change without notice. BDI products are packaged with recyclable materials. ©2011, BDI



# CASCADIA™ OFFICE



## 6201 DESK

- During setup, drawer positions can be reversed for either left or right-handed users.
- Includes a neoprene-lined multifunction drawer for a keyboard, mouse and/or rechargeable items.
- Side storage drawer is great for keeping supplies close at hand.
- Wire management tray on the inside of the back panel allows placement of a power strip (not included) and keeps wires out of sight.

**Overall Dimensions (H x W x D)** 29.25 x 54.25 x 24 in ■ 75 x 138 x 61 cm  
**Weight** 116 lbs ■ 53 kg



THE CASCADIA DESK 6201 INCLUDES A MULTIFUNCTION SYSTEM DRAWER AS WELL AS A SIDE STORAGE DRAWER.

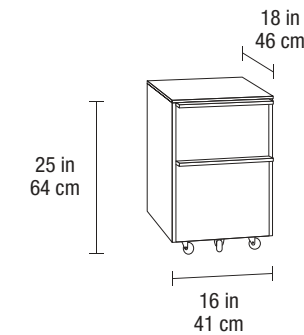
## 6202 CONSOLE/LAPTOP DESK

- Console is great on its own or when partnered with the Desk 6201 to provide additional workspace.
- Wire retention slots in the drawer allow for charging of a laptop computer and/or rechargeable items.
- The soft-close drawer is lined with a non-slip neoprene pad to keep items in place.

**Overall Dimensions (H x W x D)** 29.25 x 47.75 x 19.25 in ■ 75 x 121 x 49 cm  
**Weight** 81 lbs ■ 37 kg



COMBINE THE CASCADIA CONSOLE/LAPTOP DESK 6202 WITH THE MOBILE FILE CABINET 6207 FOR A COMPLETE OFFICE IN A SMALL FOOTPRINT.



## 6207 MOBILE FILE CABINET

- Cabinet rests on locking inline casters for security and mobility. Fifth wheel under bottom drawer prevents tipping when drawer is extended.
- Unique upper section includes an adjustable paper storage shelf and convenient supply drawer.
- Fits neatly under the Cascadia Desk and Console/Laptop Desk or can be used as a printer stand.

**Overall Dimensions (H x W x D)** 25 x 16 x 18 in ■ 64 x 41 x 46 cm  
**Weight** 64 lbs ■ 29 kg



THE MOBILE FILE CABINET 6207'S UNIQUE UPPER SECTION INCLUDES AN ADJUSTABLE PAPER STORAGE SHELF AND CONVENIENT SUPPLY DRAWER.



CASCADIA DESK 6201 AND MOBILE FILE CABINET 6207 IN ESPRESSO STAINED OAK FINISH.