

HIGH PERFORMANCE
FURNITURE FOR YOUR
HOME THEATER

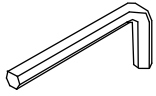


7/2008

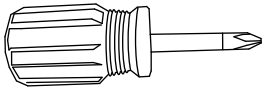
MarinaTM 8729

Assembly Instructions

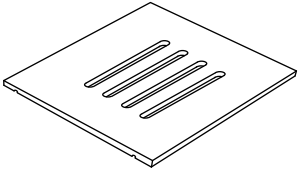
Component List



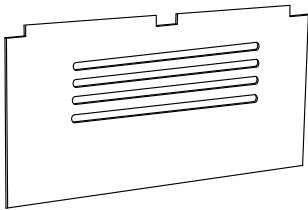
Allen Wrench x 1



Phillips Screwdriver x 1



Adjustable Shelf x 2



Back Panel x 2

Marina™ Home Theater Furniture is engineered for easy assembly. Carefully follow this procedure to prevent any damage.

Placement and Maintenance

Marina™ Home Theater Furniture is designed for indoor use on level floors. Clean glass with glass cleaner; clean steel parts and wood veneer with a moist cloth.

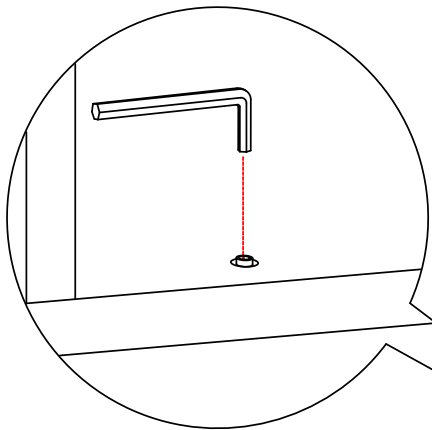
Step 1

Unpack and identify the parts listed above.

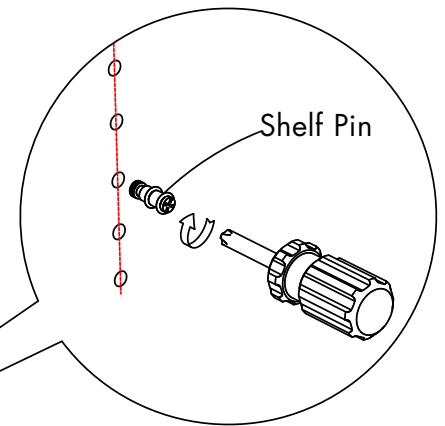
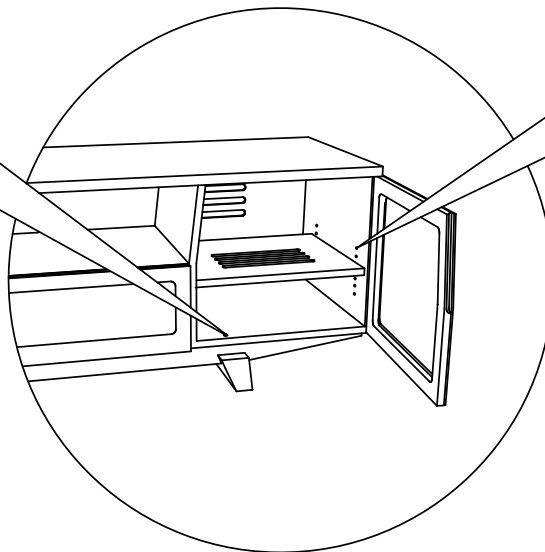
The assembly workspace should be a non-marring surface such as clean carpet. For missing hardware pieces, please contact BDI Customer Service at: customerservice@bdiusa.com.

For all other concerns, please contact your BDI Retailer.

Leveling and Shelf Adjustment



The adjustable leveler glides on the bottom, mid section of the cabinet are accessible from inside the cabinet using the **Allen wrench**.

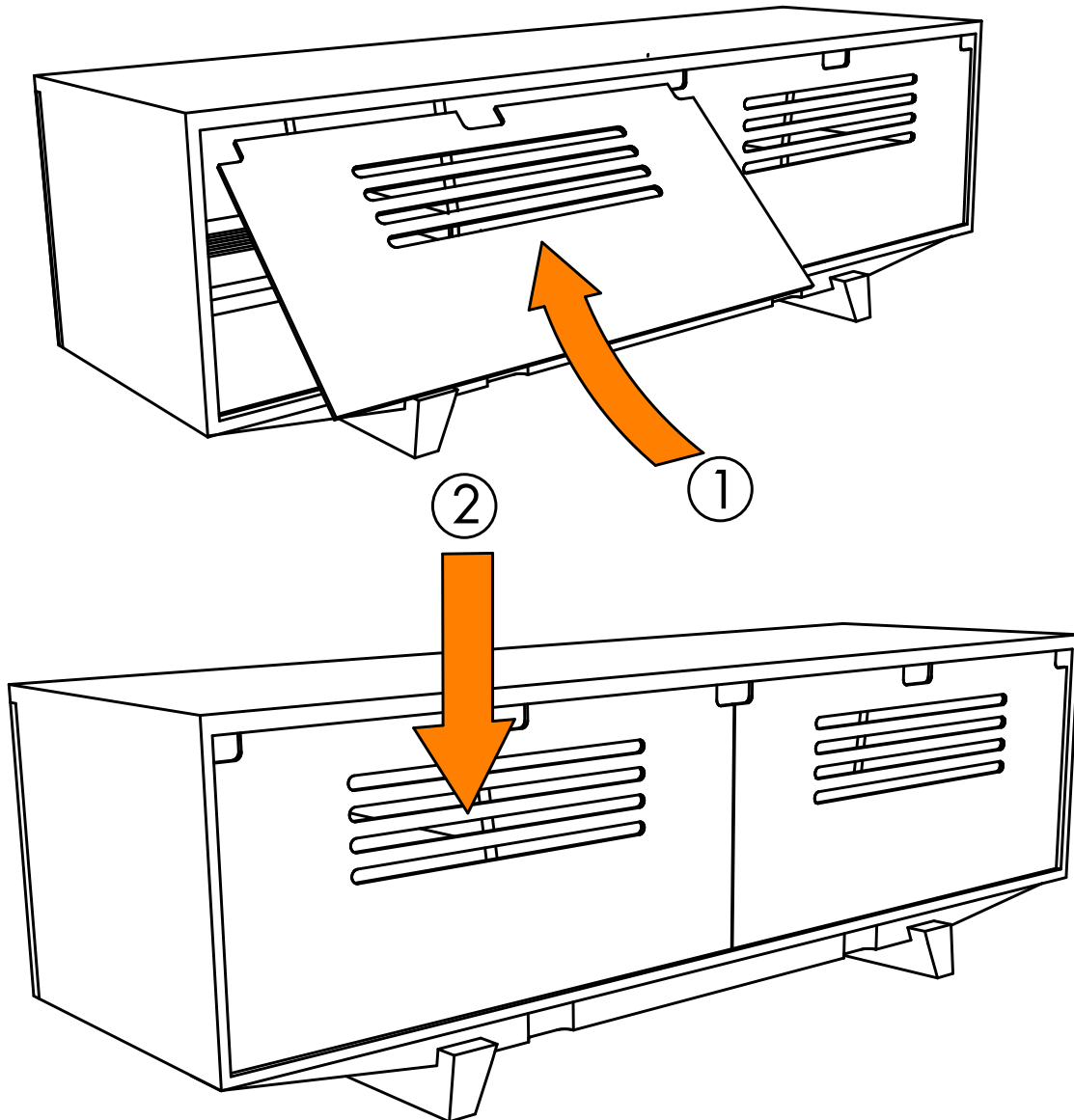


The shelf pins located inside the left and right cabinet space may be repositioned, allowing you to raise or lower the shelf to the desired level.

For more information about the adjustable levelers and troubleshooting assembly, be sure to check out "Fine tuning your new BDI Marina Home Theater Furniture" at the end of these instructions.

Back Panel Installation

Install **back panel** to the rear side of cabinet. **Velcro straps** are included as wire management for your convenience.



Thank you for choosing BDI.

Your BDI home theater cabinet is engineered to include a range of adjustments. Please read and retain this guide so that you can fully enjoy the look and use of your cabinet for years to come.

Unless manual leveling is required or you wish to prevent the cabinet from rolling, you may prefer to keep the cabinet's levelers up and off the floor. This allows easier cabinet movement for greater access to rear panels and wire-management, and permits easier cleaning/vacuumping underneath the cabinet.

By following the steps in this guide, you can be sure that your BDI cabinet is in optimum tune and adjustment. If you need additional assistance, contact BDI at customerservice@bdiusa.com.

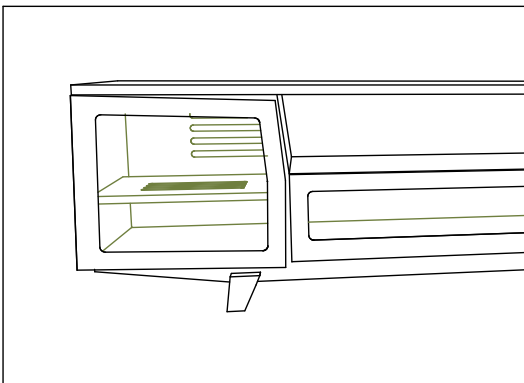
Fine tuning your BDI Marina Home Theater Furniture

After unpacking and assembling your cabinet, inspect it to be sure that it is sitting level on the floor, that all doors appear level, and that they open and close freely without rubbing or binding.

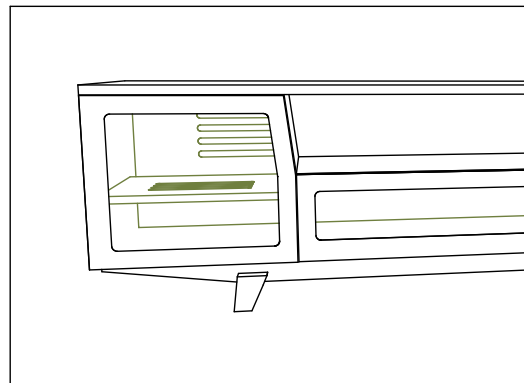
Due to uneven floors or perhaps gentle jostling during shipment, your BDI cabinet may not appear to be in perfect alignment when first assembled or when loaded with heavier electronic equipment. Such alignment issues are usually minimized or eliminated with only a few minor adjustments.

STEP 1 - Level the cabinet (if needed)

Levelers are integrated into each leg assembly and are accessed from inside the cabinet. If your floor is uneven, you may extend one or more levelers (with the provided Allen Wrench) to attain a level, stable cabinet placement. Turning the leveler clockwise will extend the leveler; turning it counter-clockwise will retract it.



INCORRECT!
Door is out of alignment with the rest of the unit.

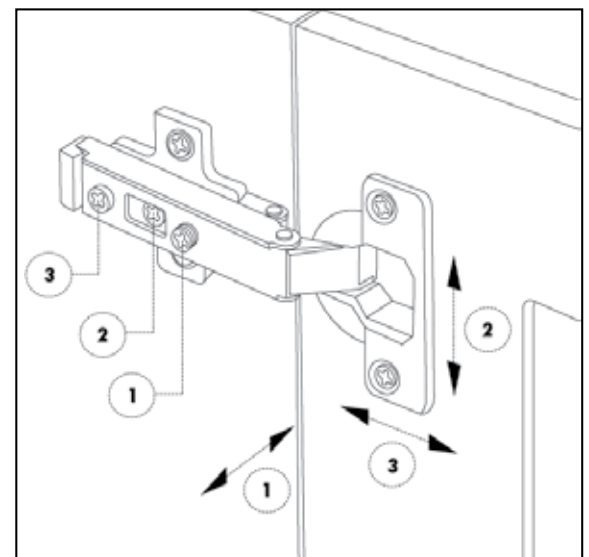


CORRECT!
Door is sitting squarely and evenly spaced on tops and sides.

STEP 2 - Adjust Door Hinges (if needed)

Your cabinet's doors should show even spacing around edges and should open and close freely, without rubbing against the door frame. BDI cabinets feature high-quality, infinitely adjustable European hinges. Adjustments may be made to the door hinges with the use of a Phillips head screwdriver, and each hinge features three (3) adjustment screws:

- By adjusting **Screw 1**, the door will move left or right within the frame. Making minor adjustments to both the top and bottom hinges usually yields best results.
- By adjusting **Screw 2**, the door will move up or down within the frame. (The top and bottom hinges must be adjusted equally).
- By adjusting **Screw 3**, the door will move in or out, opening and closing the gap between the door frame and cabinet. (Screw 3 rarely needs adjustment.)



MarinaTM 8729

Designed by Cristian Wicha.

'Marina' is a trademark of Becker Designed, Inc.
All rights reserved. ©2008 Becker Designed, Inc.