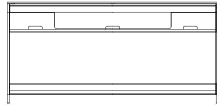




sequel®
6002

return

assembly instructions



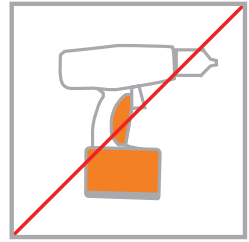
bdiusa.com

customerservice@bdiusa.com

Placement and Maintenance

Sequel™ Home Office Furniture is designed for indoor use on level floors. Clean glass with glass cleaner, and steel parts and wood veneer with a moist cloth. Your Sequel™ Home Office Furniture is engineered for easy assembly. Carefully follow this procedure to prevent any damage.

Do not use power tools for assembly of this product.



Step 1

Unpack and identify the parts listed below. The assembly workspace should be a non-marring surface such as carpet. For missing hardware pieces, please contact BDI Customer Service at customerservice@bdiusa.com. For all other concerns, please contact your BDI Retailer.

Component List

N - Upper Horizontal Beam x 1

B - Top Glass x 1

L - Right Leg x 1

A - Frame Assembly x 1

C - Back Panel x 1
(optional)

D - Front Kick Panel x 1

E - Lower Horizontal Beam x 1

K - Left Leg x 1

F - 4mm Hex Wrench x 1

G - 1/4-20 x 63 mm Screw x 6

H - 1/4-20 x 12 mm Screw x 16

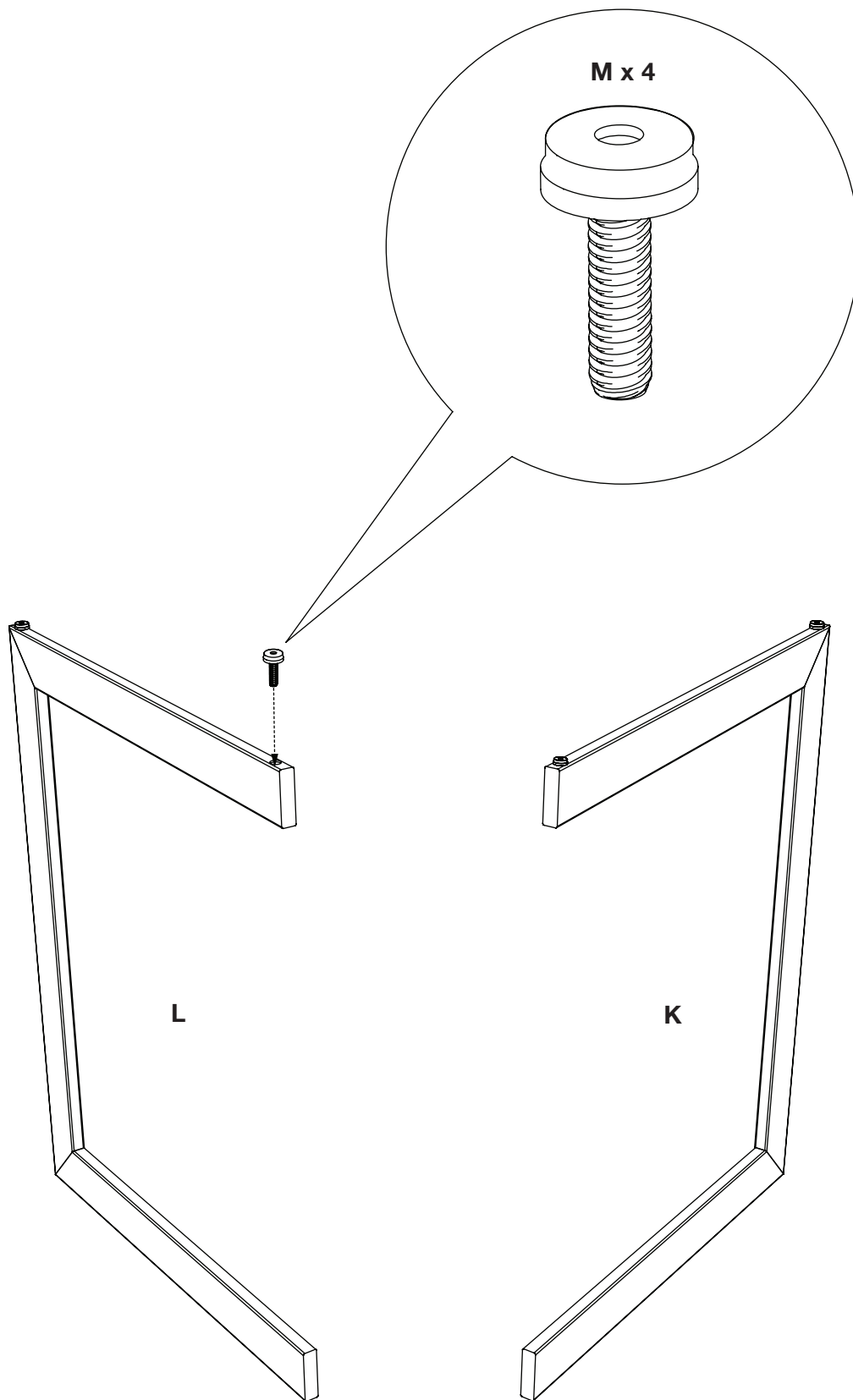
M - Glides x 4

Registering your new BDI product allows us to send you important product updates, service information and helpful hints related to your BDI products. Register today at bdiusa.com/product-registration/ and you will be entered to win free BINK* table from BDI.

REGISTER YOUR BDI DESIGN

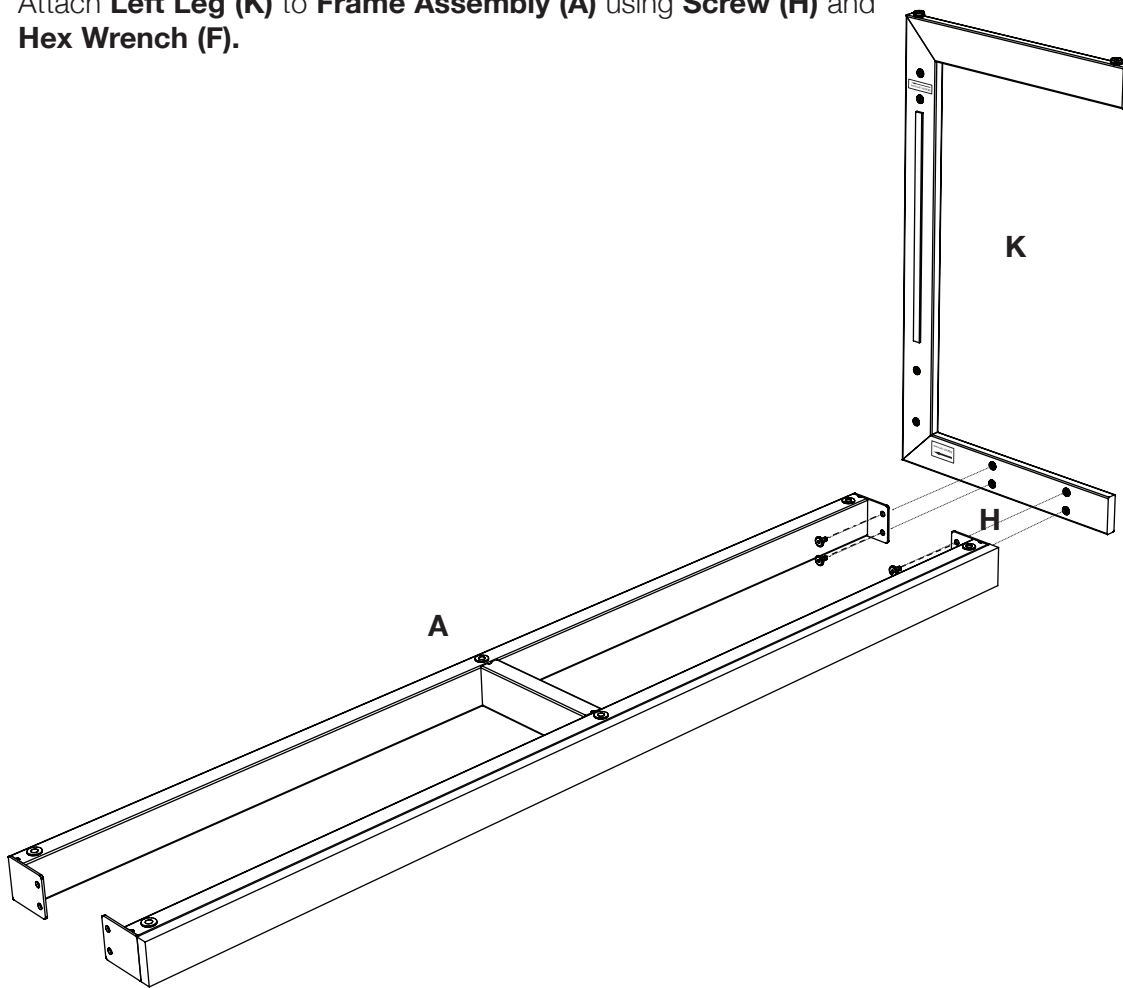
Step 1

Install **Glides (M)** to the bottom of **Left Leg (K)** and **Right Leg (L)**.



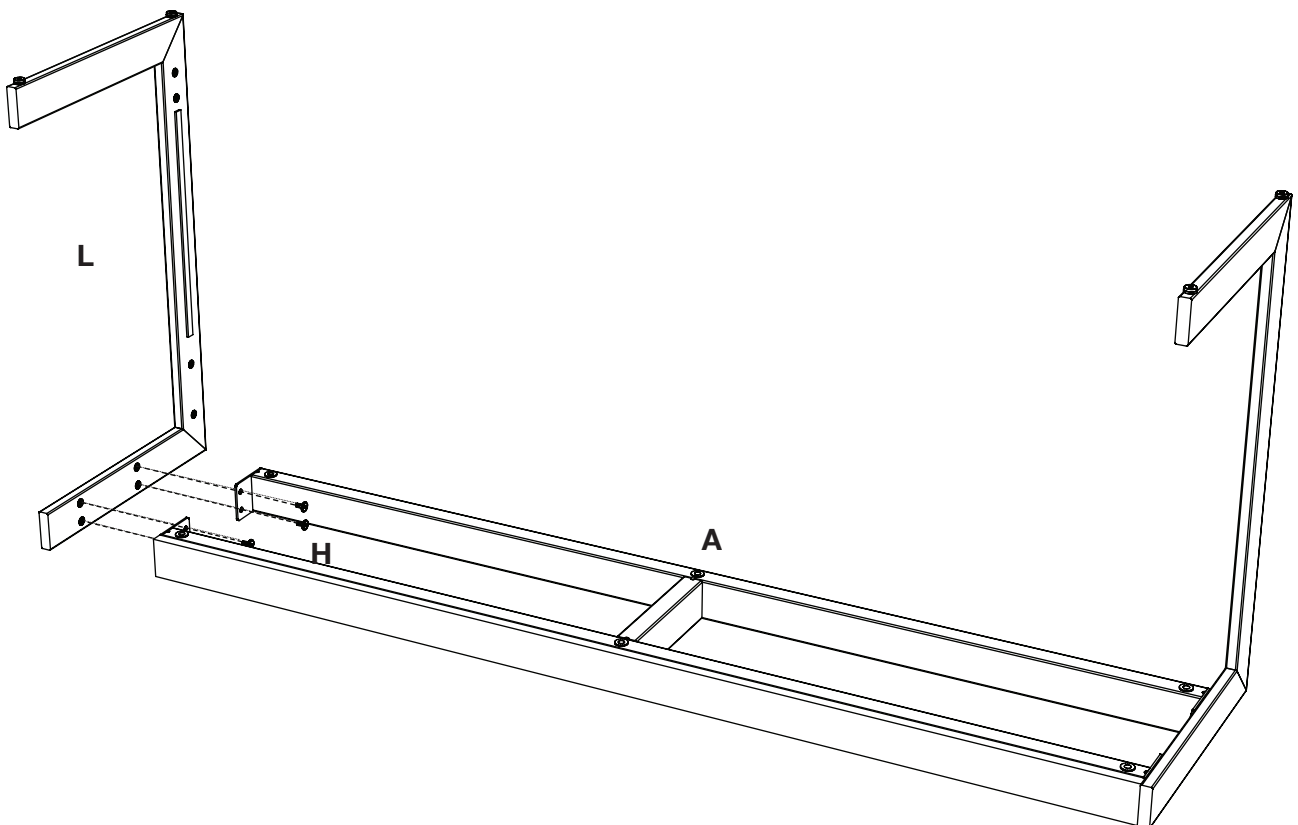
Step 2

Attach **Left Leg (K)** to **Frame Assembly (A)** using **Screw (H)** and **Hex Wrench (F)**.



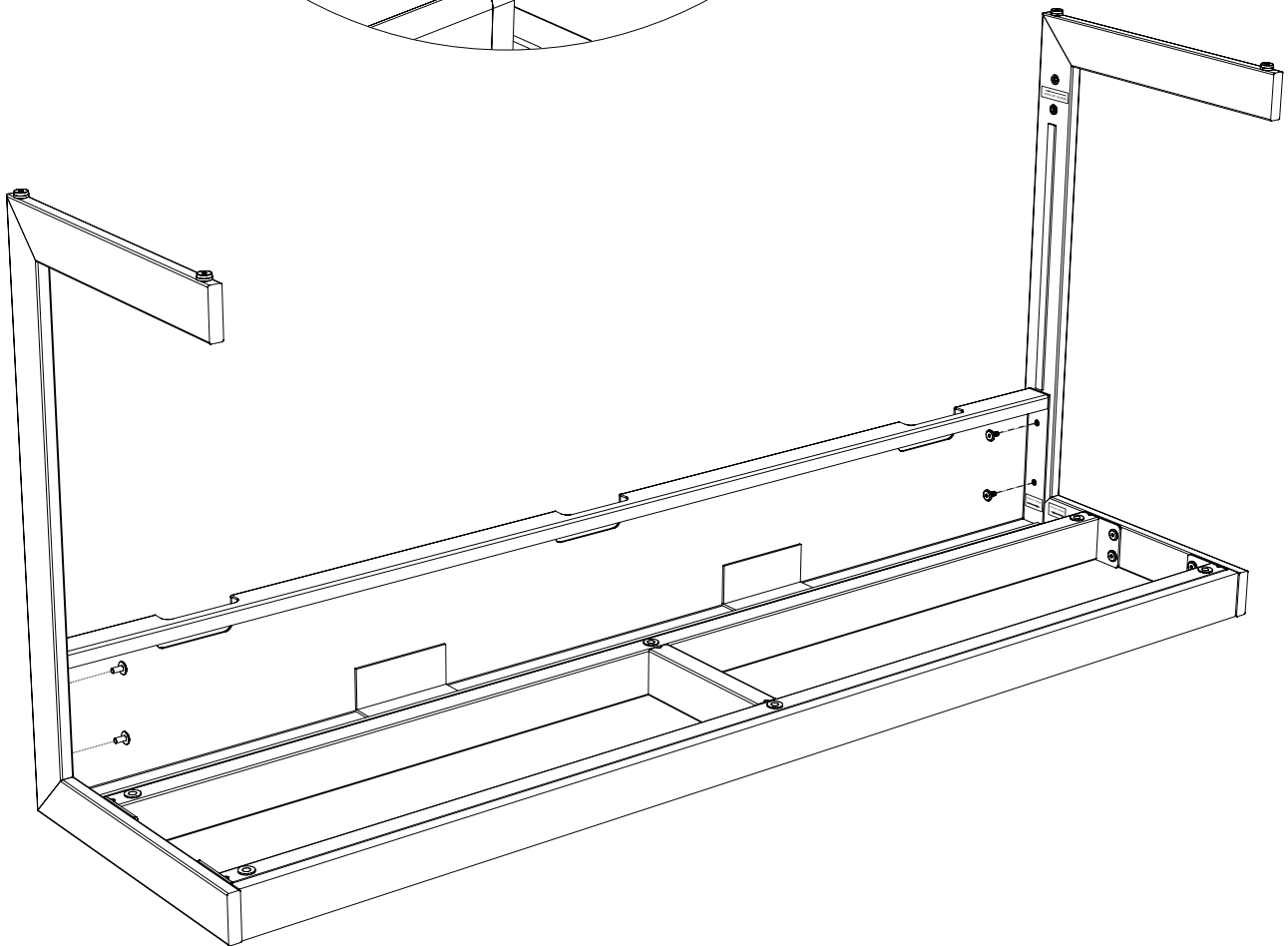
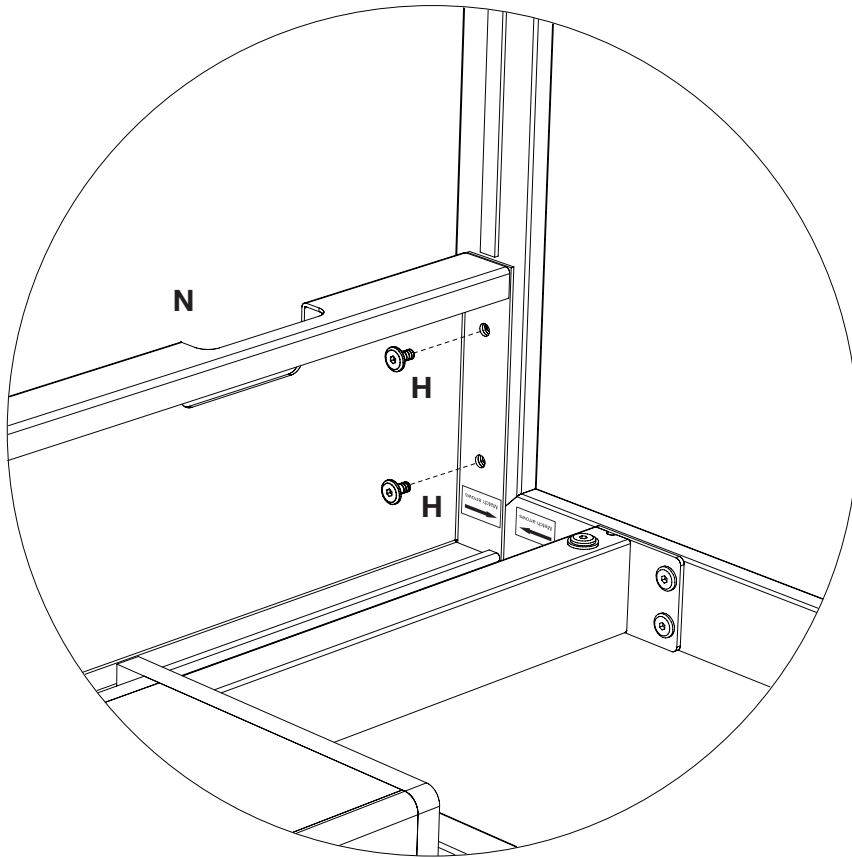
Step 3

Attach **Right Leg (L)** to **Frame Assembly (A)** using **Screw (H)** and **Hex Wrench (F)**.



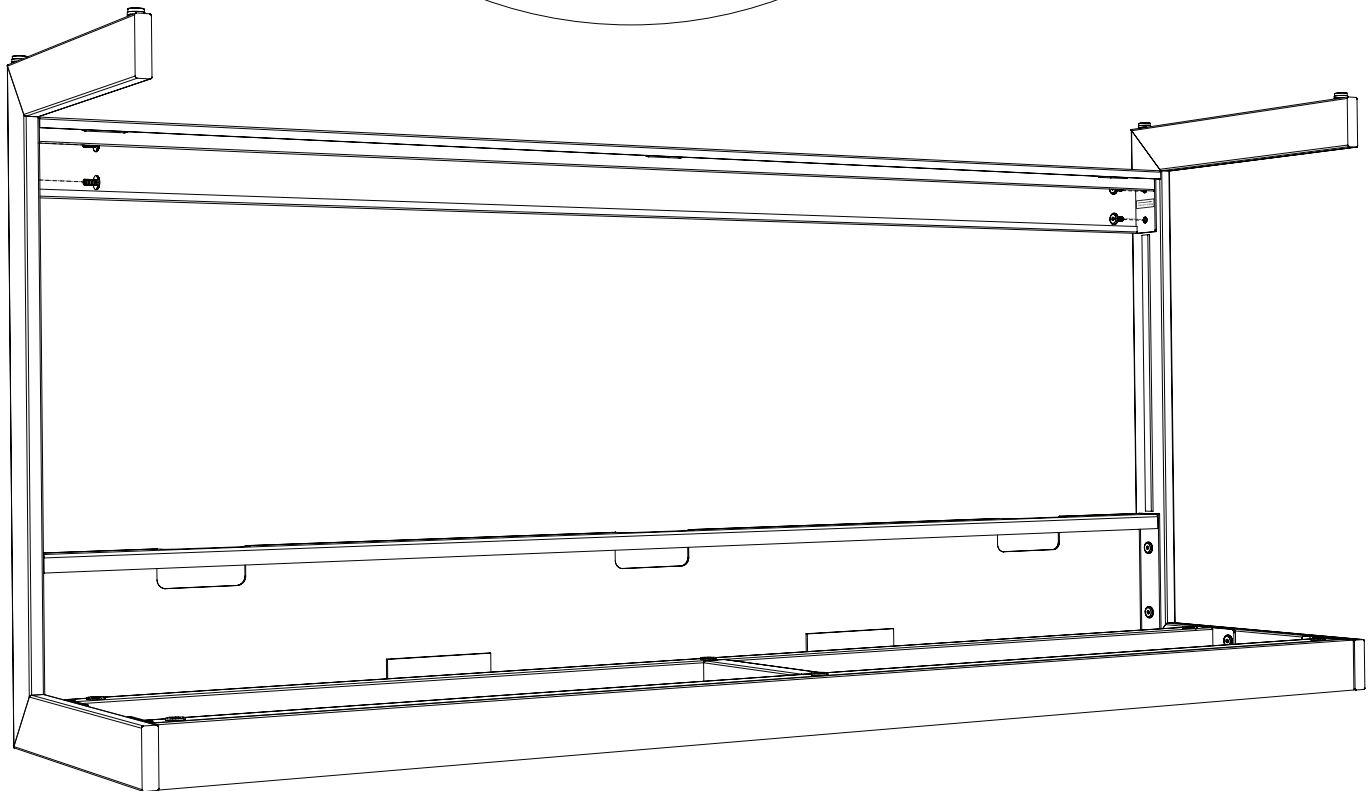
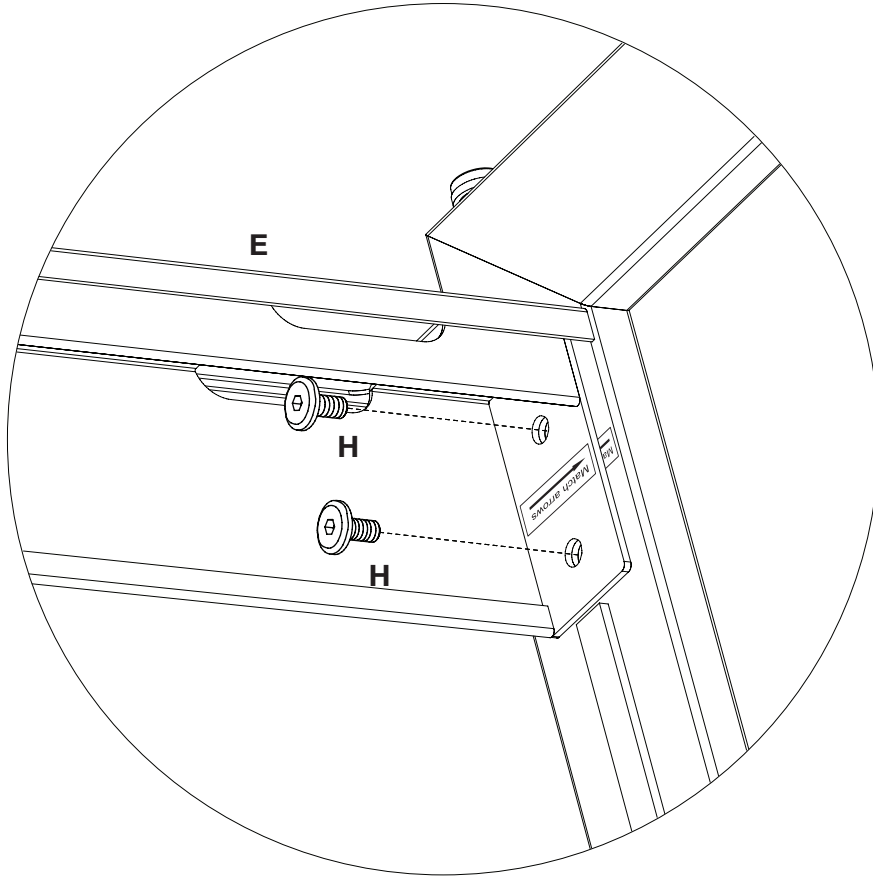
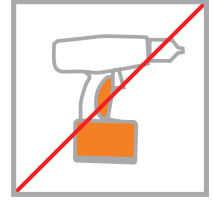
Step 4

Attach **Upper Horizontal Beam (N)** to inside of Left and Right Leg using **Screw (H)** and **Hex Wrench (F)**.



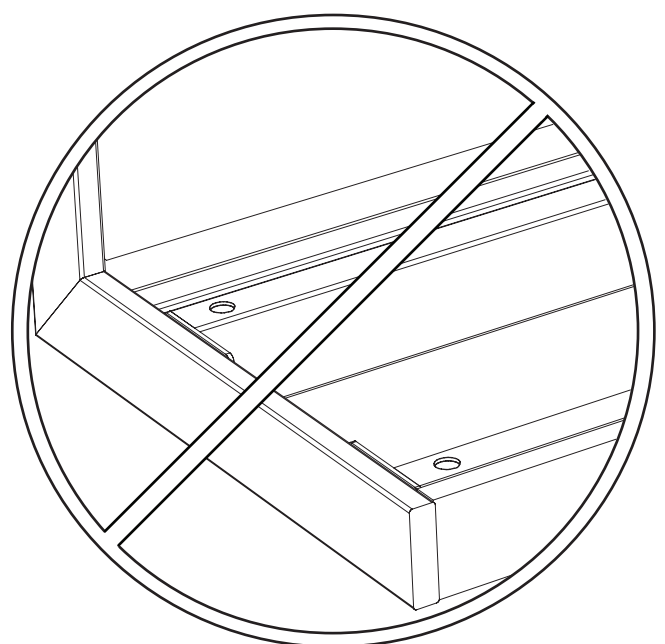
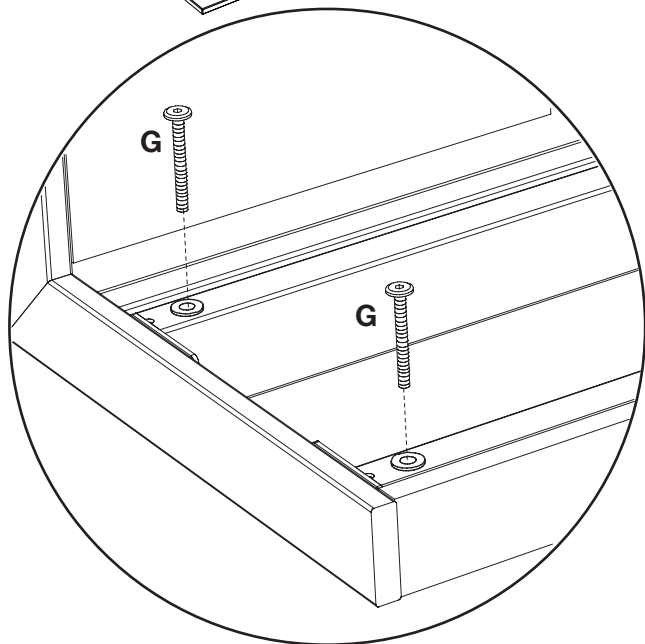
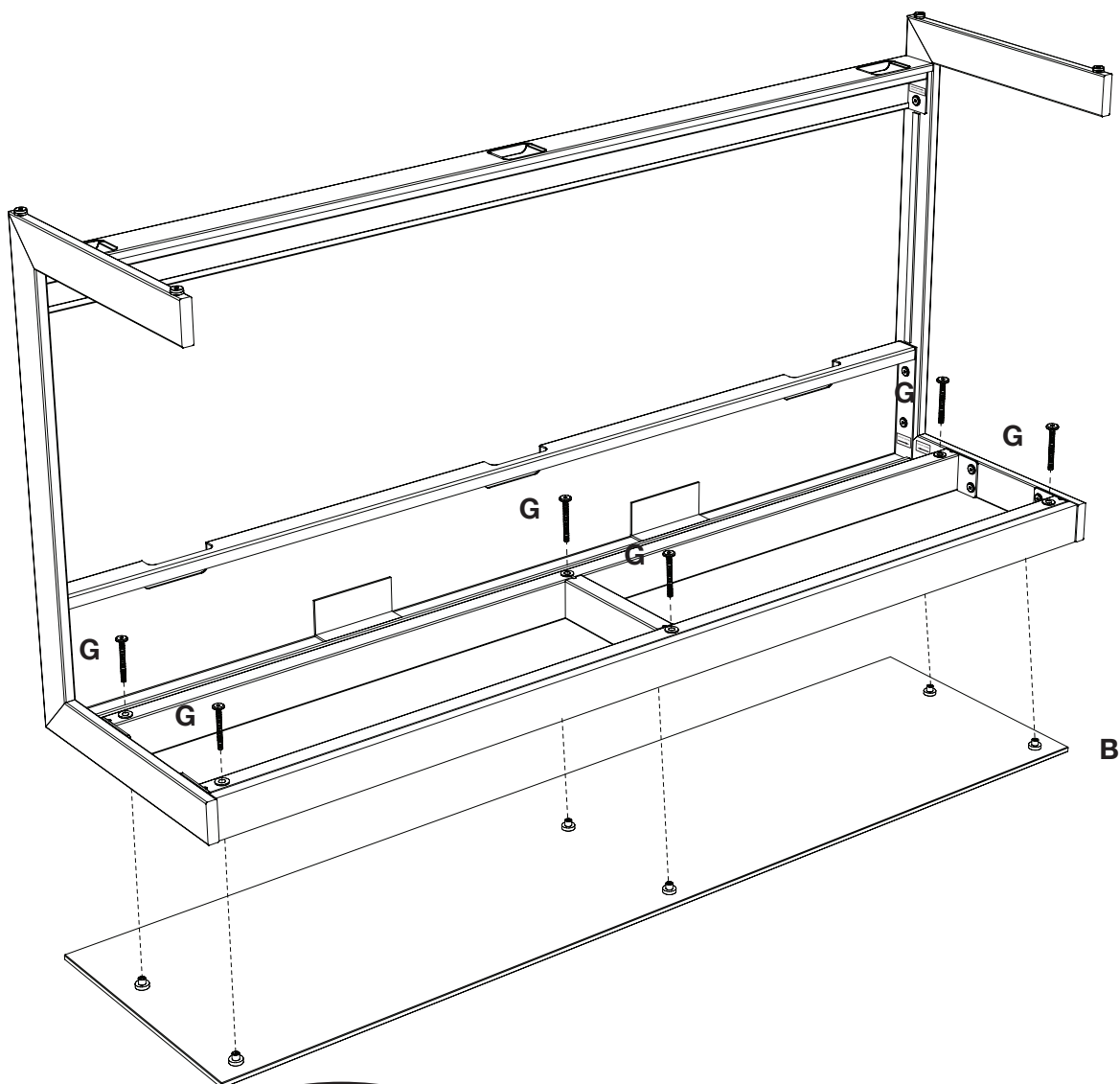
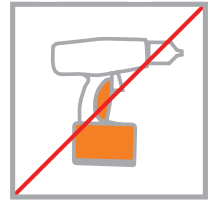
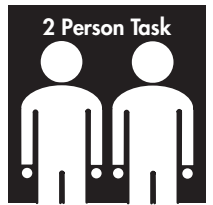
Step 5

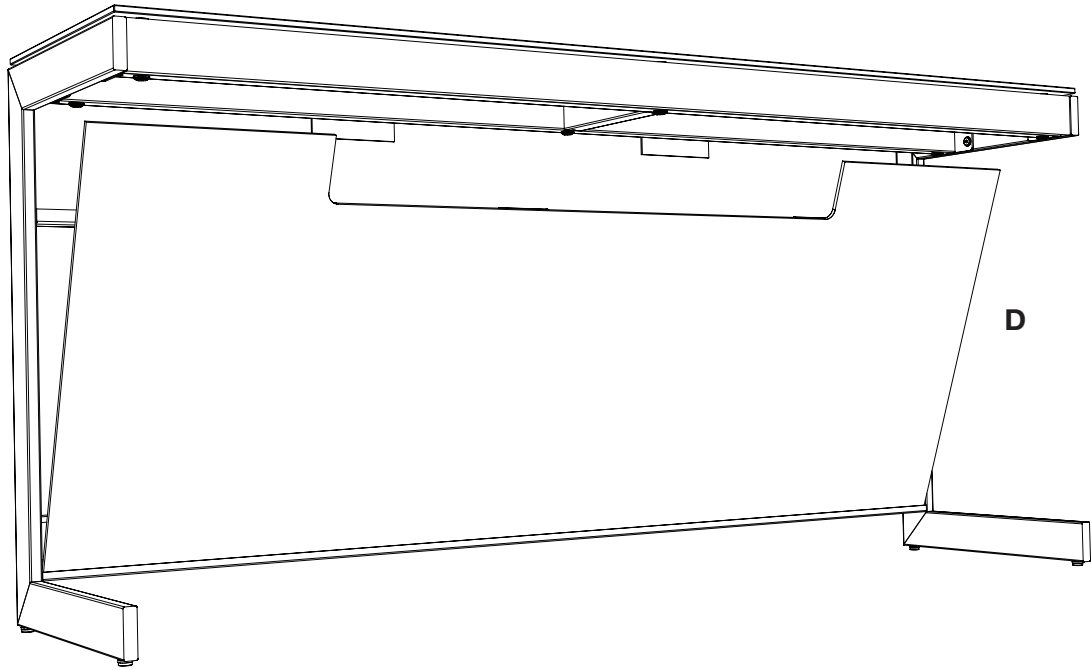
Attach **Lower Horizontal Beam (E)** to inside of Left and Right Leg using **Screw (H)** and **Hex Wrench (F)**.



Step 6

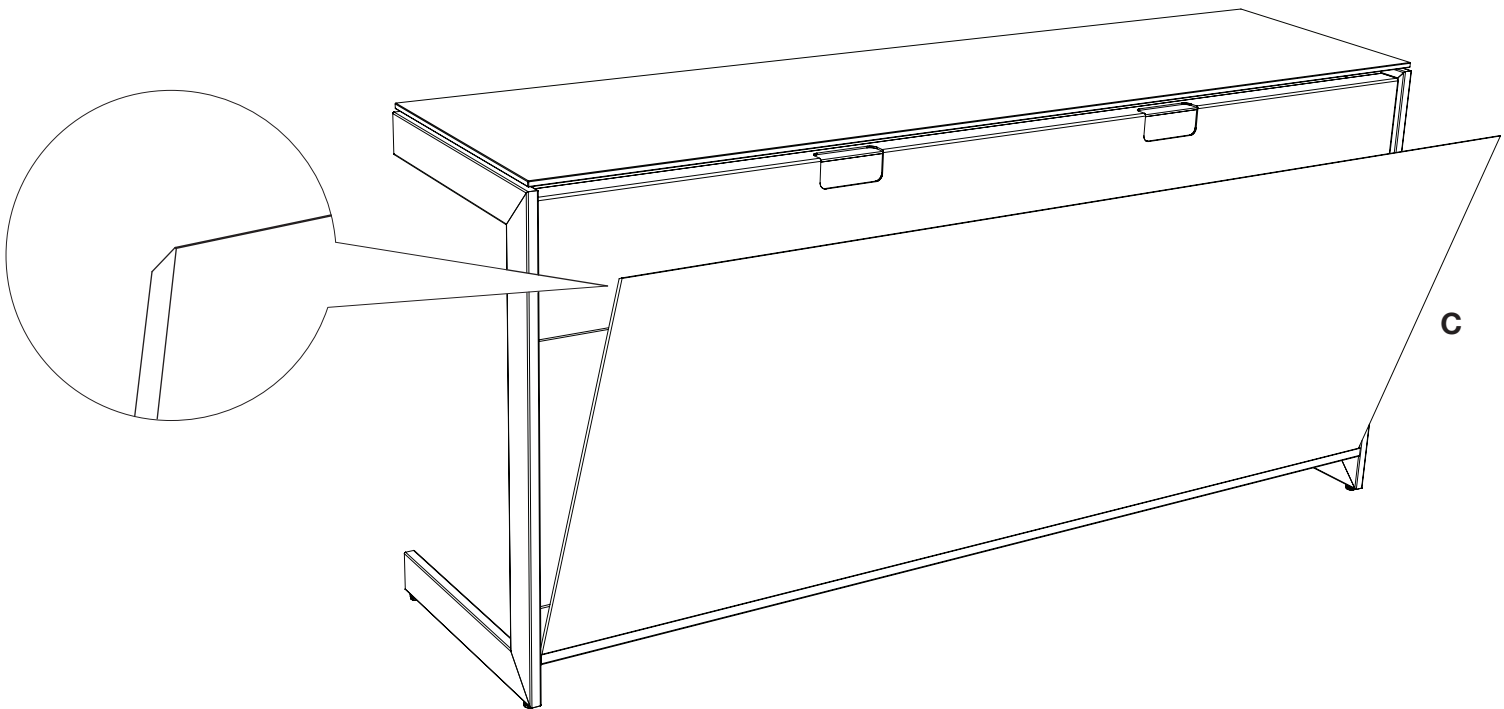
With the help of another person, gently lower Assembly onto **Top Glass (B)**. Both parts will be placed upside down for the assembly process and fasten into place using **Screw (G)** and **Hex Wrench (F)** at all **(7)** fastener locations. **DO NOT OVERTIGHTEN!** With the help of another person, turn return upright onto its base.





Step 7

Place Sequel Return in desired location. Once all of the electrical wires are routed, install **Kick Panel (D)** as shown above. The rear side of panel has magnets that will hold the panel in place. **Note:** The Sequel Return is designed to permit placement in front of an electrical outlet for easier wiring access.



Optional Step

If return is located in the middle of a room, the optional **6009 Back Panel (C)** is available for purchase to conceal wire management. Please contact BDI Customer Service at customerservice@bdiusa.com or 800-428-2881