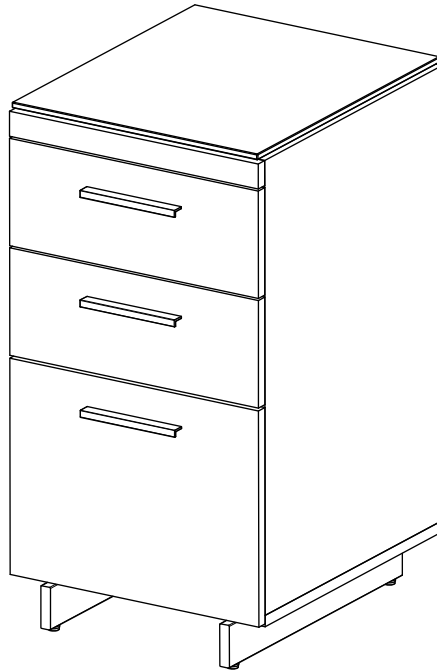




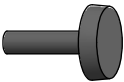
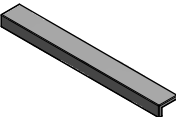

Placement and Maintenance

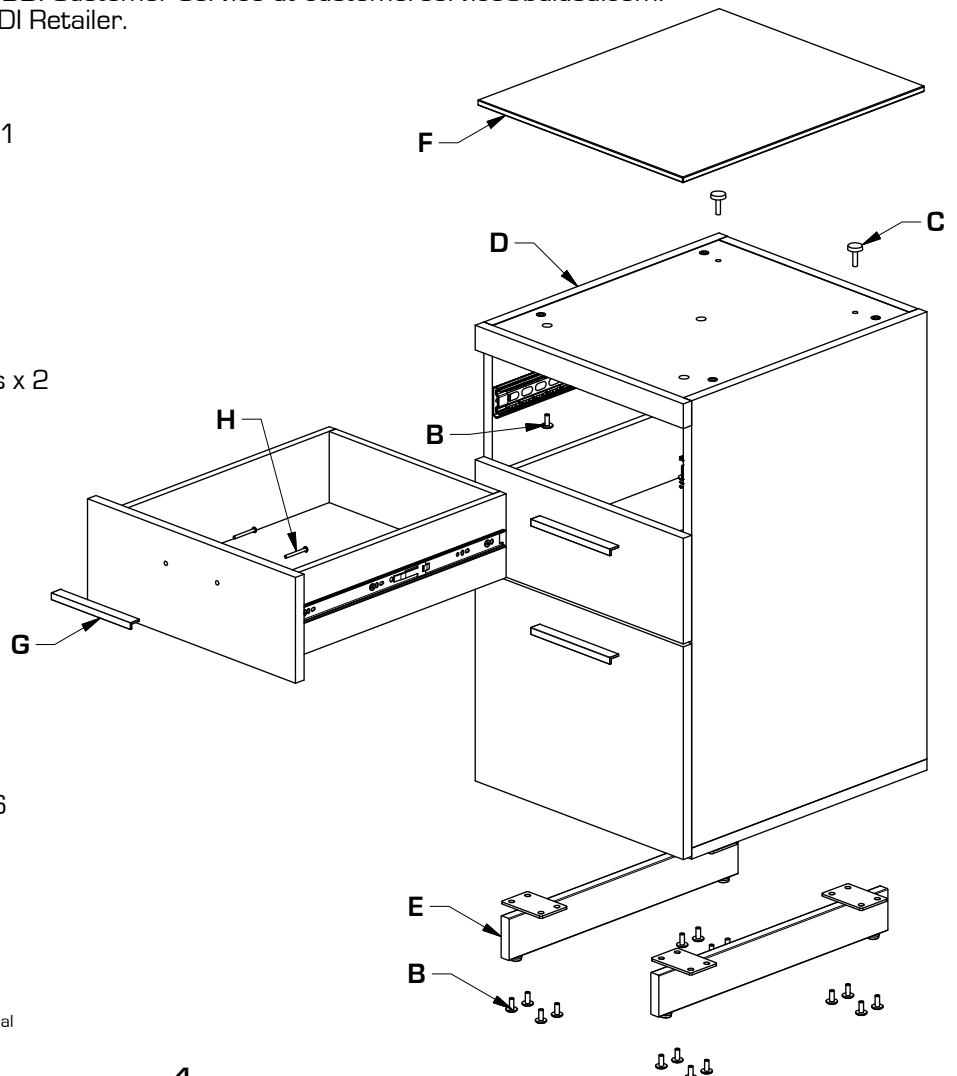
SEQUEL 6014 3-Drawer Cabinet is designed for indoor use on level floors. Clean glass with glass cleaner, and wood veneer with a moist cloth.



Component List

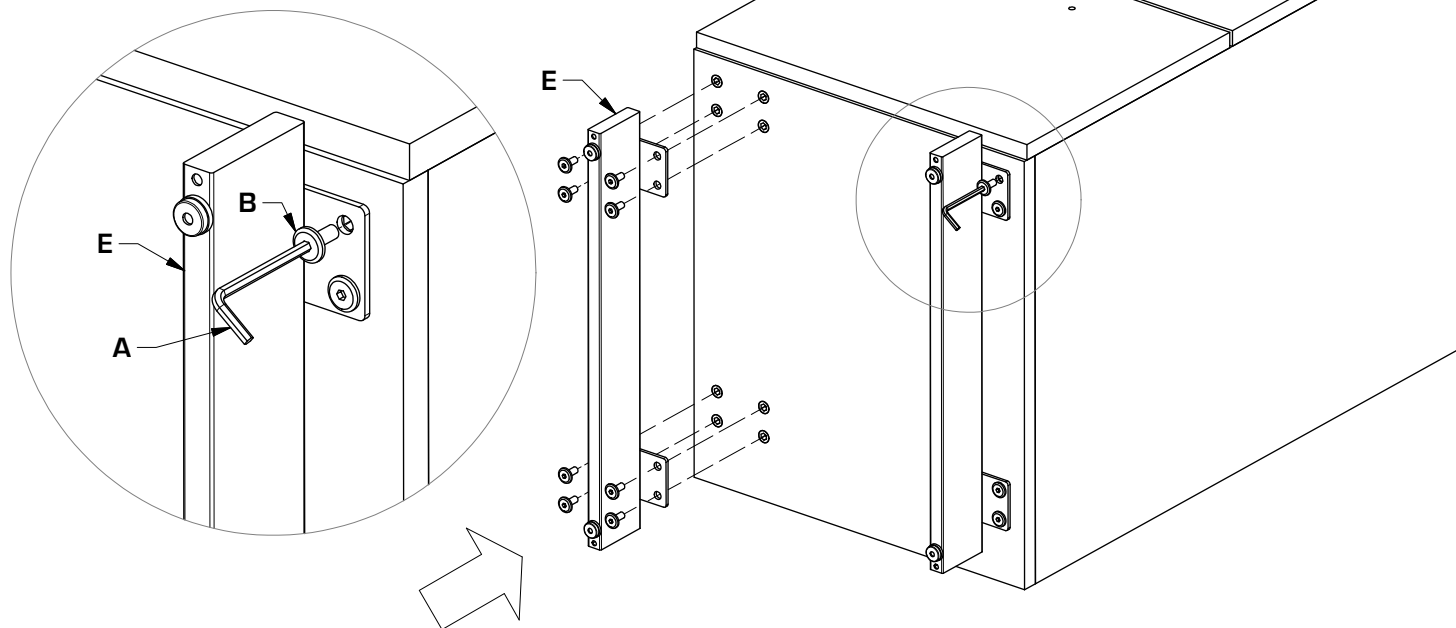
SEQUEL 6014 3-Drawer Cabinet is engineered for easy assembly. Carefully follow this procedure to prevent any damage. Unpack and identify the components. The assembly workspace should be a non-marring surface such as clean carpet. For missing hardware pieces, please contact BDI Customer Service at customerservice@bdiusa.com. For all other concerns, please contact your BDI Retailer.

-  **A** - 4mm Hex L-Wrench x 1
-  **B** - 1/4-20 x 5/8" Machine Screw x 19 Black Color
-  **C** - Rubber Stem Bumpers x 2
- D** - Cabinet Assembly x 1
- E** - Base Legs x 2
- F** - Glass Top x 1
-  **G** - Handles x 3
-  **H** - M4 x 37mm Screw x 6



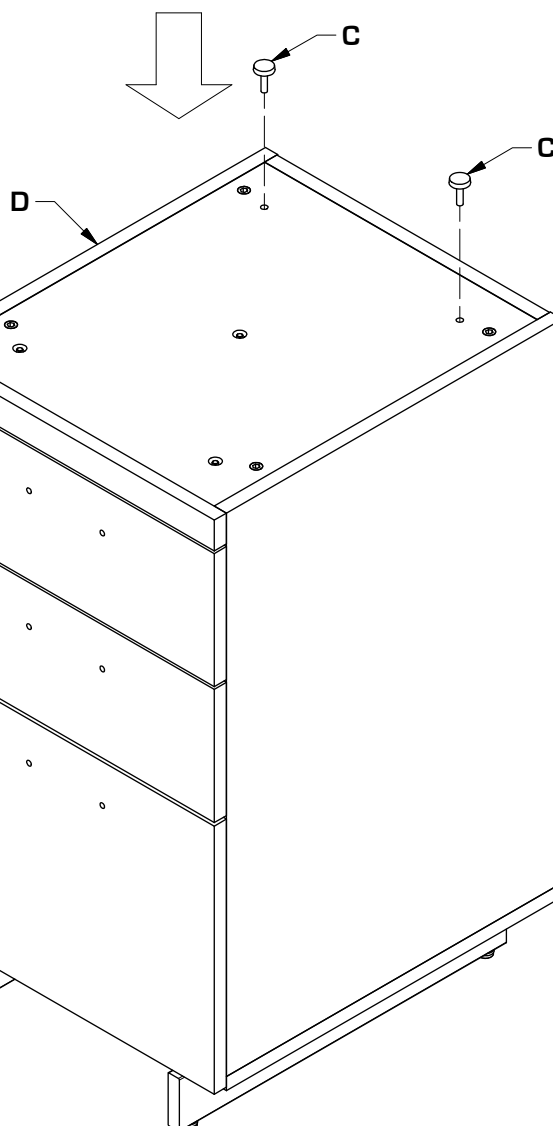
Step 1

Attach **Legs (E)** to **Cabinet (D)** using **Screws (B)** and tighten with **Hex Wrench (A)**.



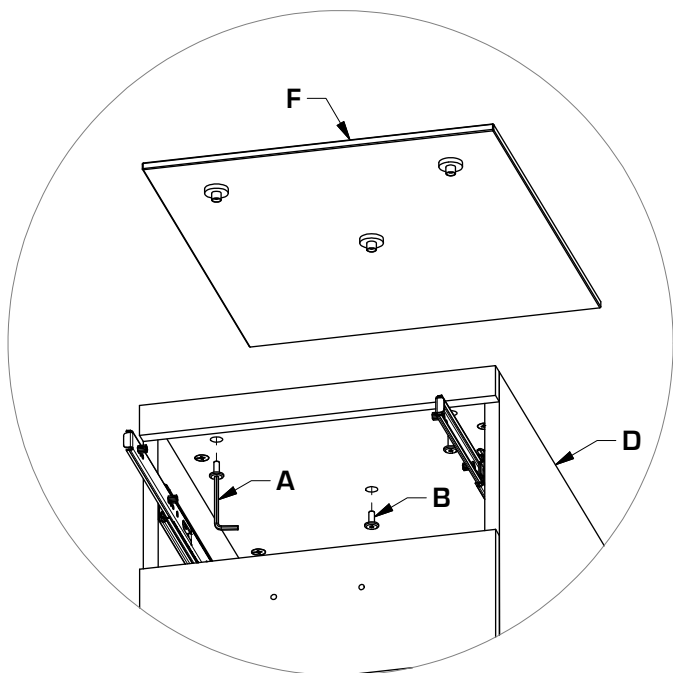
Step 2

Install **Rubber Stem Bumpers (C)** into holes in rear of top panel of **Cabinet (D)**.

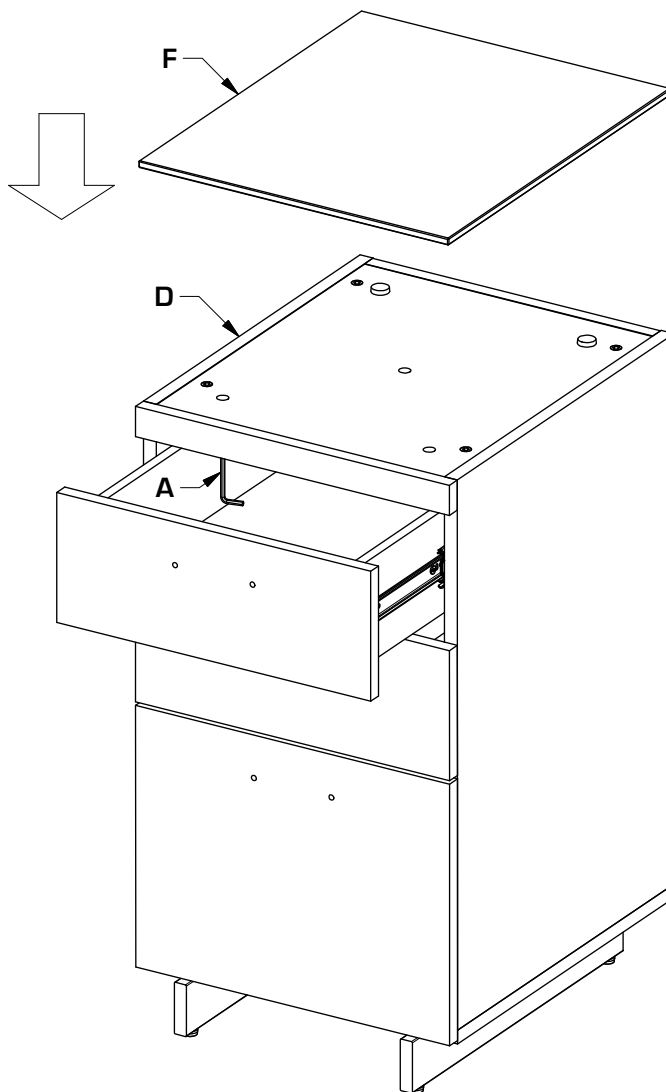


Step 3

Attach **Glass Top (F)** to **Cabinet (D)** using **Screws (B)** and tighten with **Hex Wrench (A)**.



Top Drawer removed for clarity
Glass can be installed without removing drawer.



Step 4

Attach **Handles (G)** to drawer fronts using **Screws (H)** and tighten using Phillips Screwdriver (not provided).

