

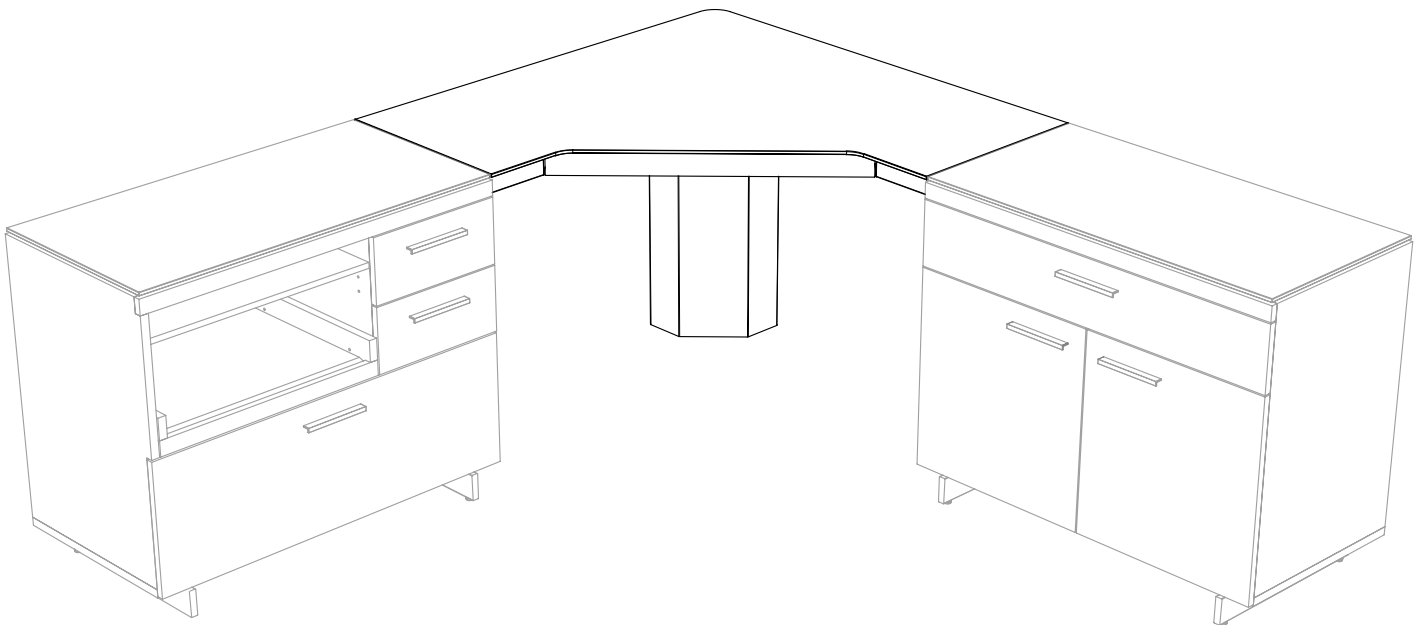


ATTENTION:

PLEASE FOLLOW
THESE INSTRUCTIONS
CAREFULLY.

SEQUEL[®]

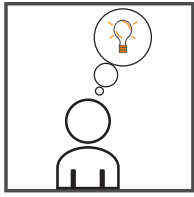
OFFICE





**Thanks for purchasing the
Sequel System.**

Before you begin setting up the Sequel System Components, it is imperative that you read the Consumer Considerations section on the next page.



Plan

Plan your space.

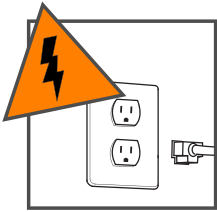
Forethought is essential in determining the placement of each component. Using a measuring tape, determine how much space each unit will require. A cardboard template has been provided in order to help aid this process.



2-Person Assembly

Get someone to help you.

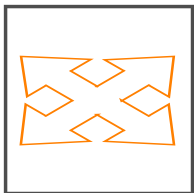
Help from a second person is required for majority of the steps outlined in this instruction manual.



Power

AC power outlet and wire management

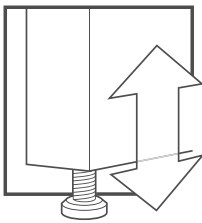
Depending on the configuration of your office set up, the Sequel cabinet may end up resting in front of an AC power outlet. If so, be sure to plug in the AC power strip, phone/ethernet or extension cords prior to placing the cabinet in its final position.



Movement

Movement

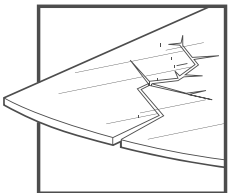
Once the Sequel System is fully assembled, it cannot be moved. Make all positioning adjustments prior to final assembly.



Levelers

Leveling

SEQUEL 6019 Furniture is designed for indoor use on level floors. If the floors are uneven, adjust levelers as necessary.



Tempered Glass

Tempered glass.

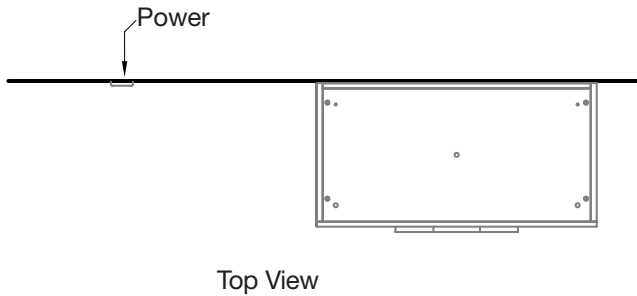
Exercise caution while handling the glass, and be sure to employ the help of another person. Keep edges of glass panels away from hard surfaces in order to prevent breakage.

Power & Placement

This page outlines two scenarios:

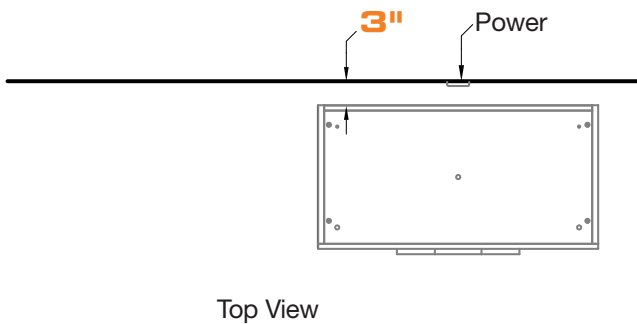
Scenario 1

If cabinet is not blocking an AC power outlet, it may be positioned close to the wall.



Scenario 2

If cabinet is going to block an AC power outlet, position cabinet approximately 3" from wall. Low profile extension plugs may be used to reduce the amount of space required in this application.



Corner Desk

Model 6019

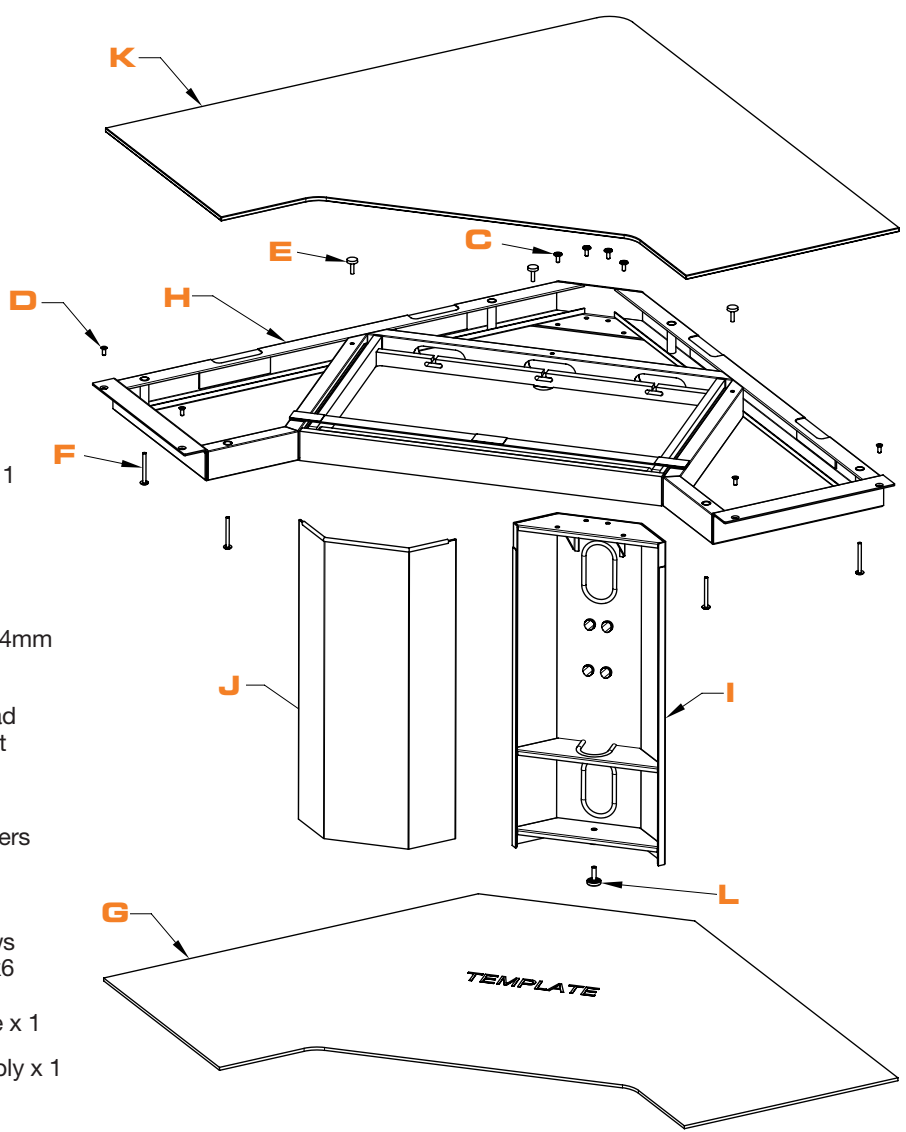
Your SEQUEL® 6019 Furniture is engineered for easy assembly.


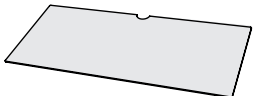
Carefully follow this procedure to prevent any damage.

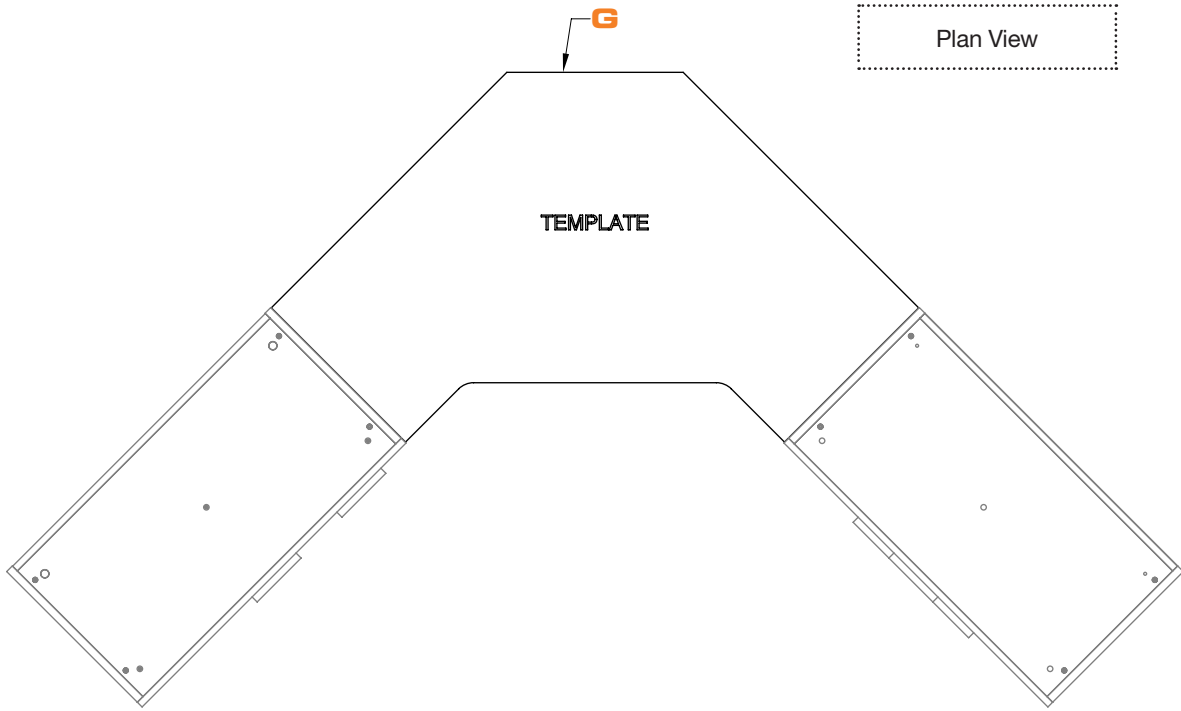
Placement and Maintenance

SEQUEL® 6019 Furniture is designed for indoor use on level floors. Clean glass with glass cleaner, and steel parts and wood veneer with a moist cloth.

Unpack and identify the components. The assembly workspace should be a non-marring surface such as carpet. For missing hardware pieces, please contact BDI Customer Service at customerservice@bdiusa.com. For all other concerns, please contact your BDI Retailer.

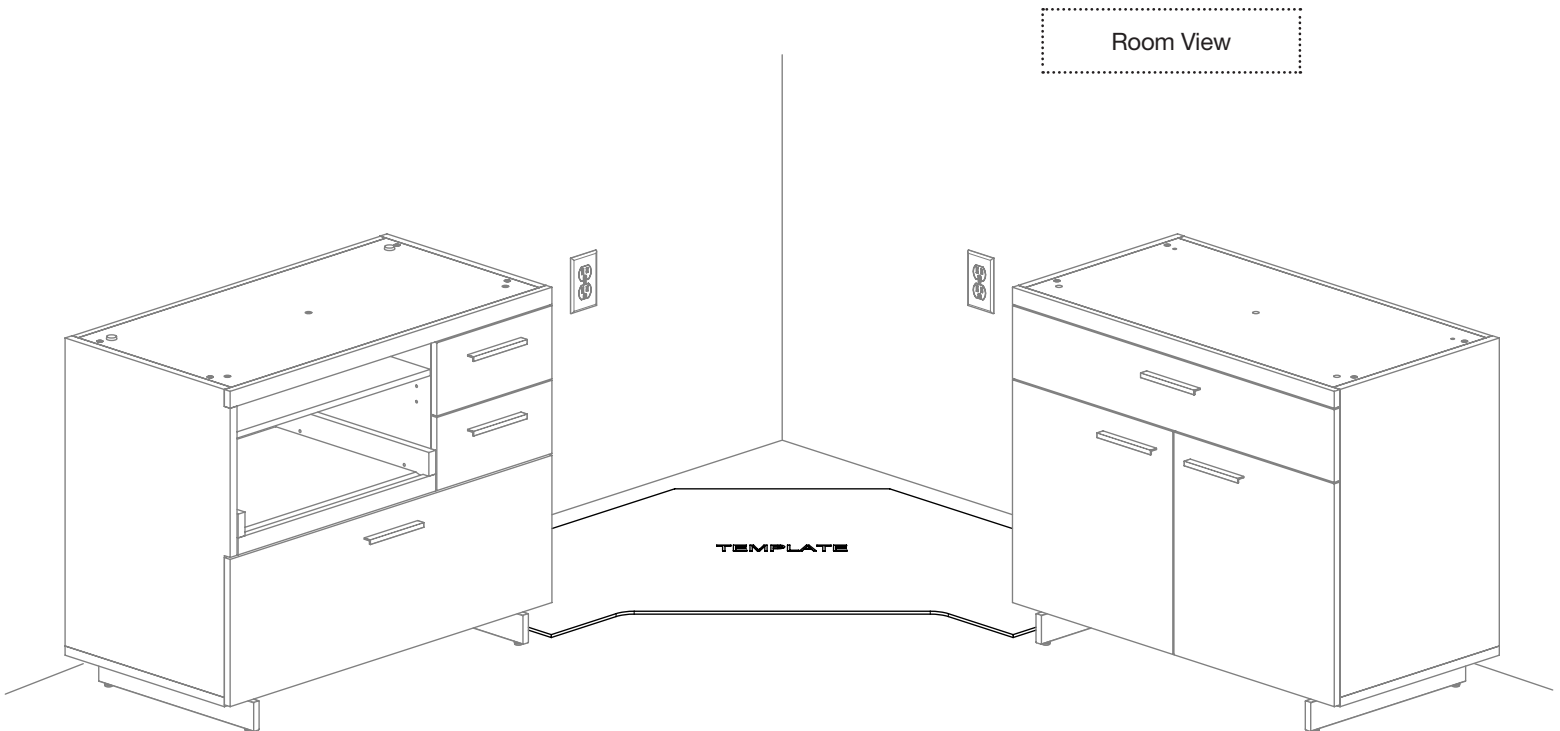


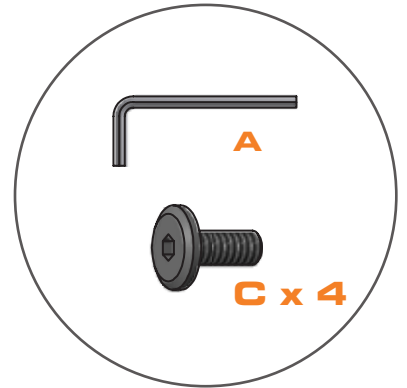
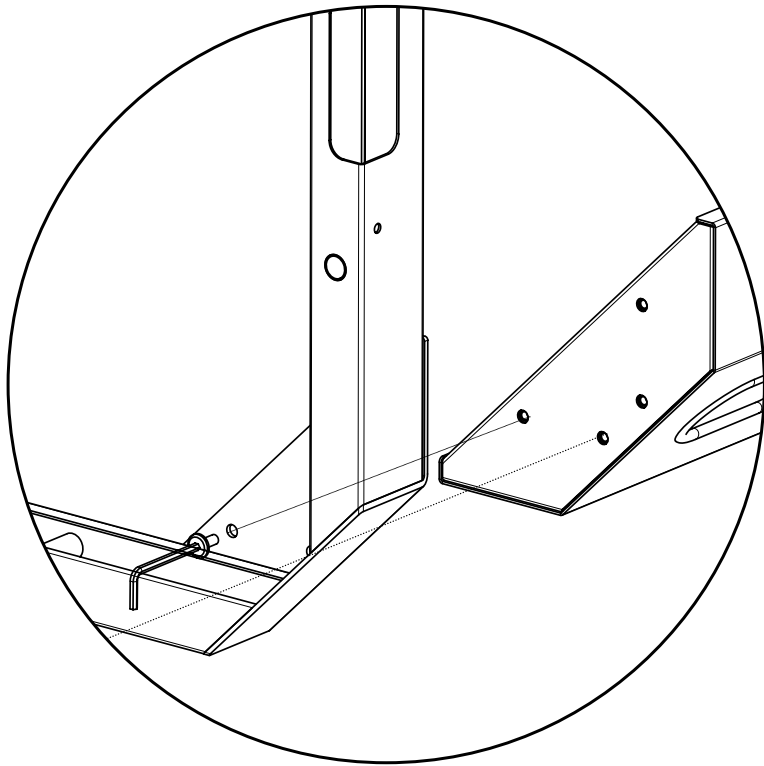
-  **A** Hex Wrench 4mm x 1
-  **B** Hex Wrench 3mm x 1 (for Leveler adjustment)
-  **C** 1/4-20 5/8" Screws 4mm Socket Drive x 4
-  **D** 1/4-20 1/2" Flat Head Screws 4mm Socket Drive x 4
-  **E** Rubber Stem Bumpers x 3
-  **F** 1/4-20 60mm Screws 4mm Socket Drive x 6
- G** Cardboard Template x 1
- H** Desk Frame Assembly x 1
- I** Corner Leg x 1
- J** Corner Leg Cover
- K** Glass Top x 1
- L** Leveler x 1
- M** Velcro Strap x 6
-  **N** Drawer Liner x 1



Template

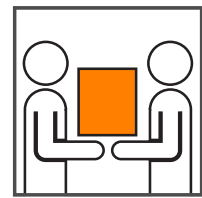
Position the Template (G) in the desired location where the corner desk will be positioned, followed by the Sequel cabinets. Align the side of the cabinet with the outside edge of the template. NOTE: Cabinets' top glass are not installed.



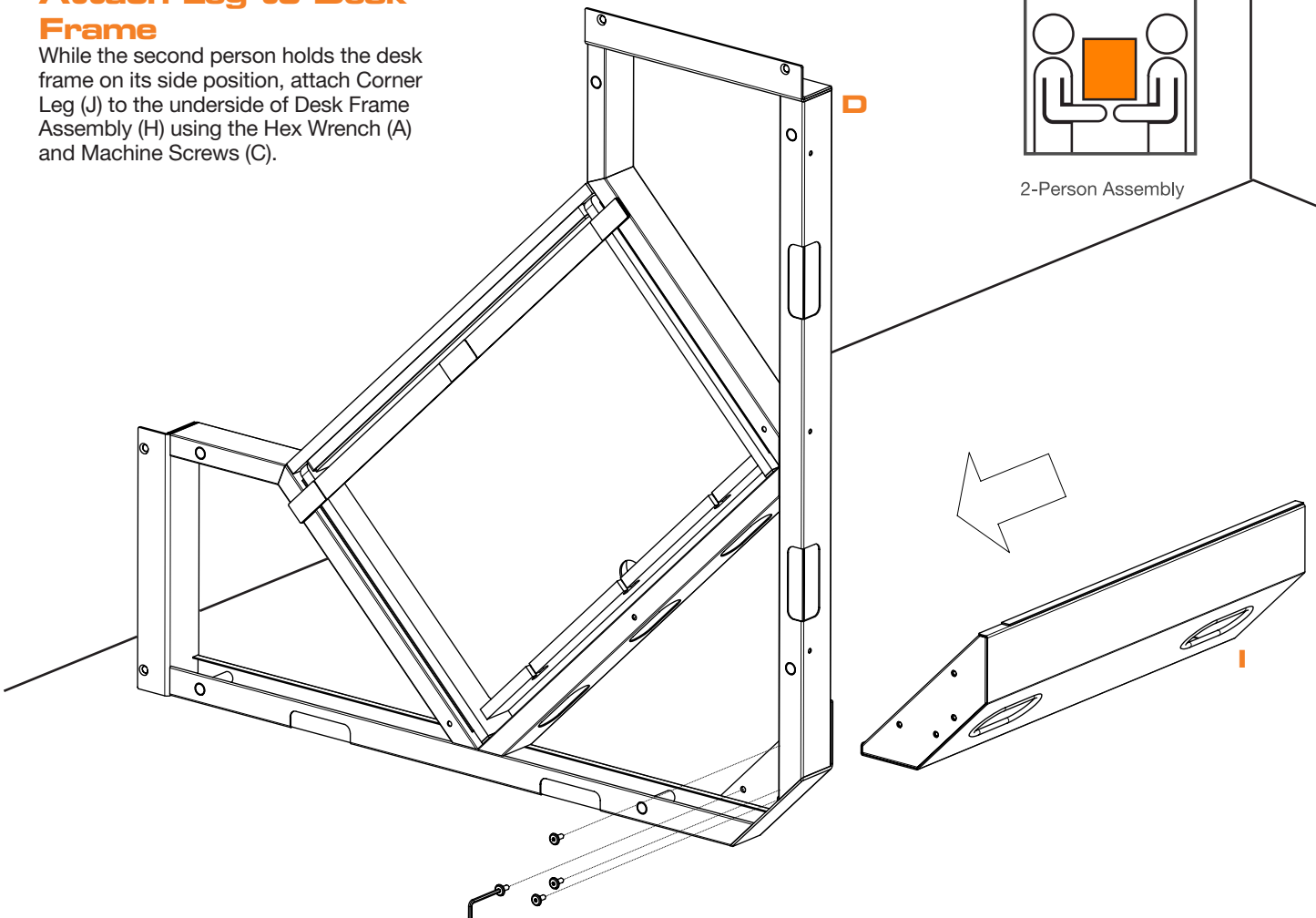


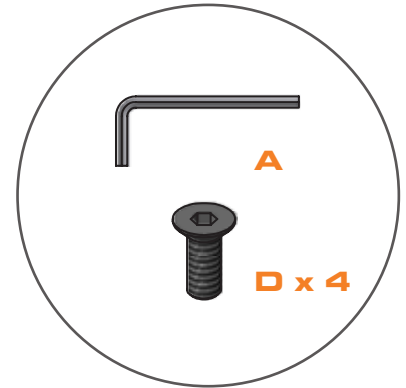
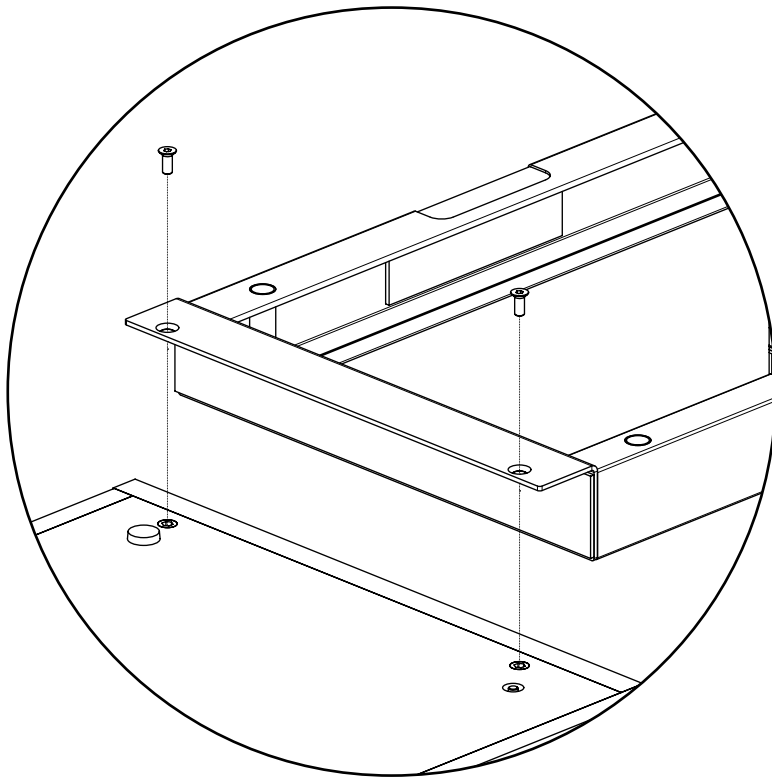
Attach Leg to Desk Frame

While the second person holds the desk frame on its side position, attach Corner Leg (J) to the underside of Desk Frame Assembly (H) using the Hex Wrench (A) and Machine Screws (C).



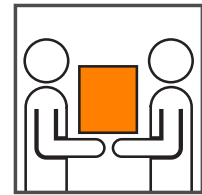
2-Person Assembly



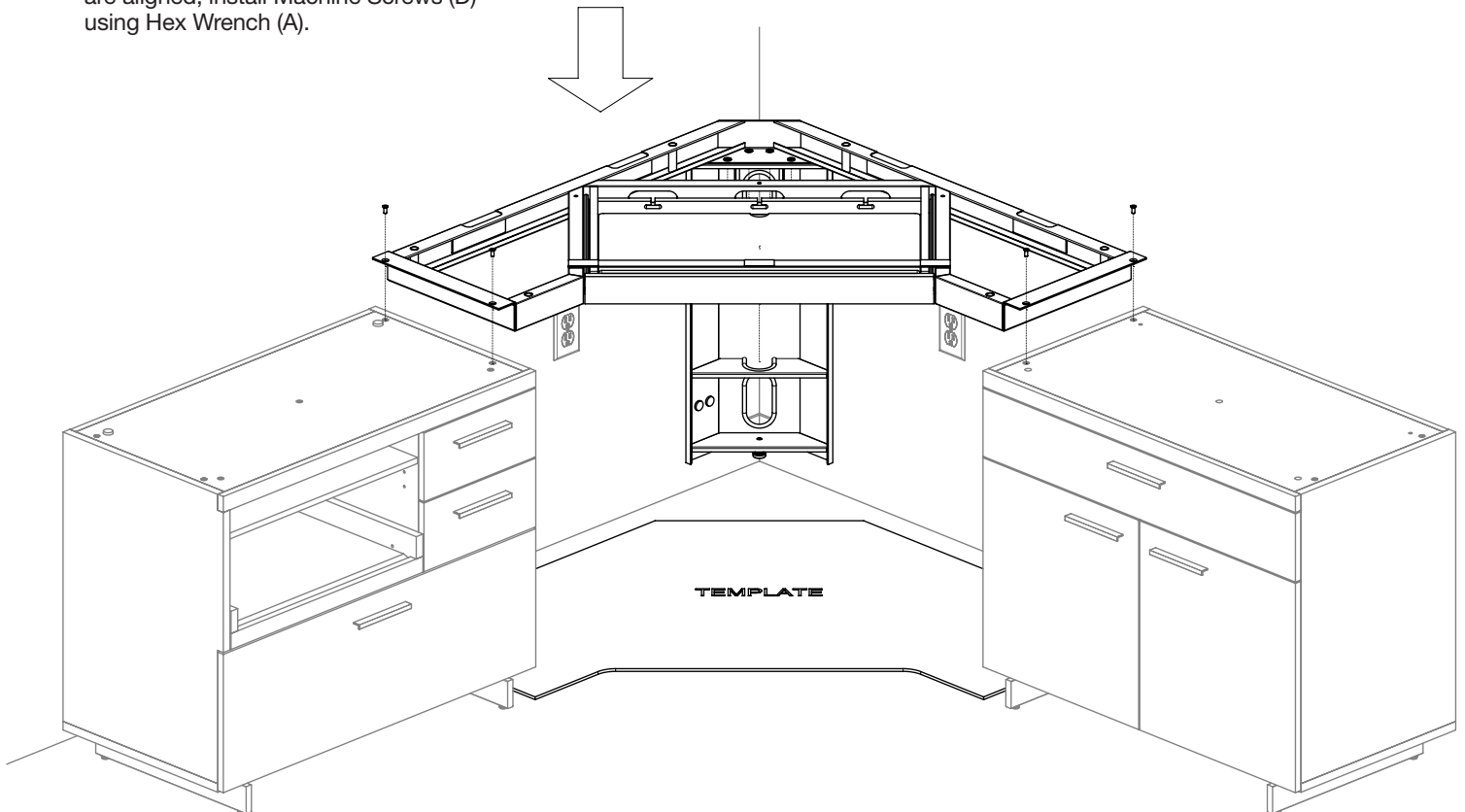


Attach Desk Frame to Cabinets

With the help of another person, carefully lower Desk Frame Assembly (H) onto the adjacent cabinets (Sequel Models 6014, 6015, 6016, or 6017). Adjust frame so that the holes are aligned with the threaded inserts on top of the cabinets. Once holes are aligned, install Machine Screws (D) using Hex Wrench (A).

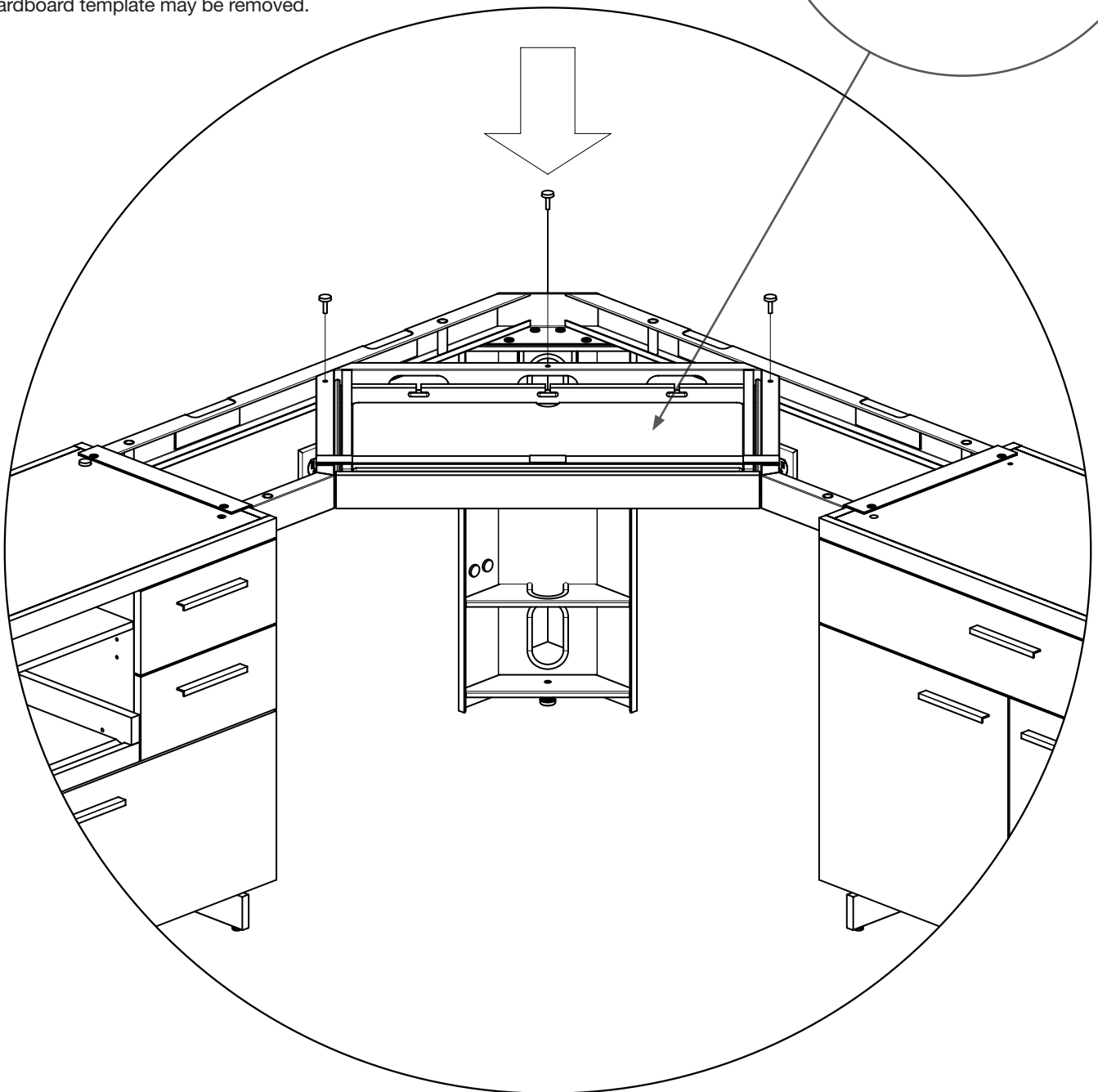
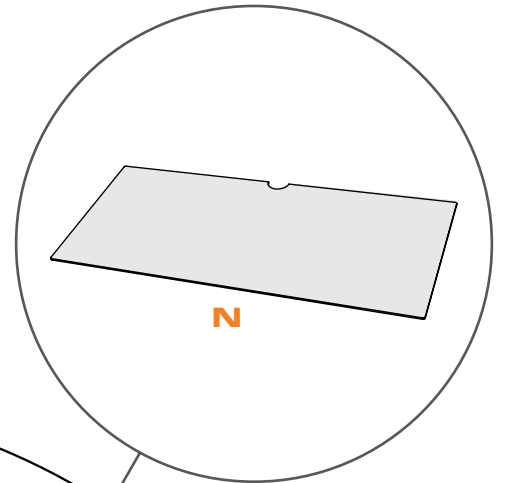
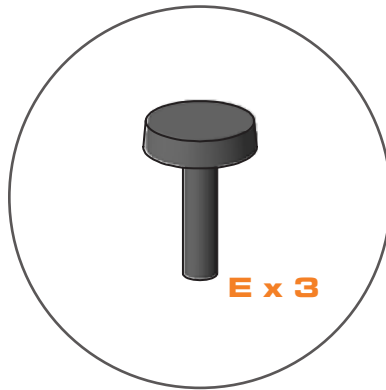


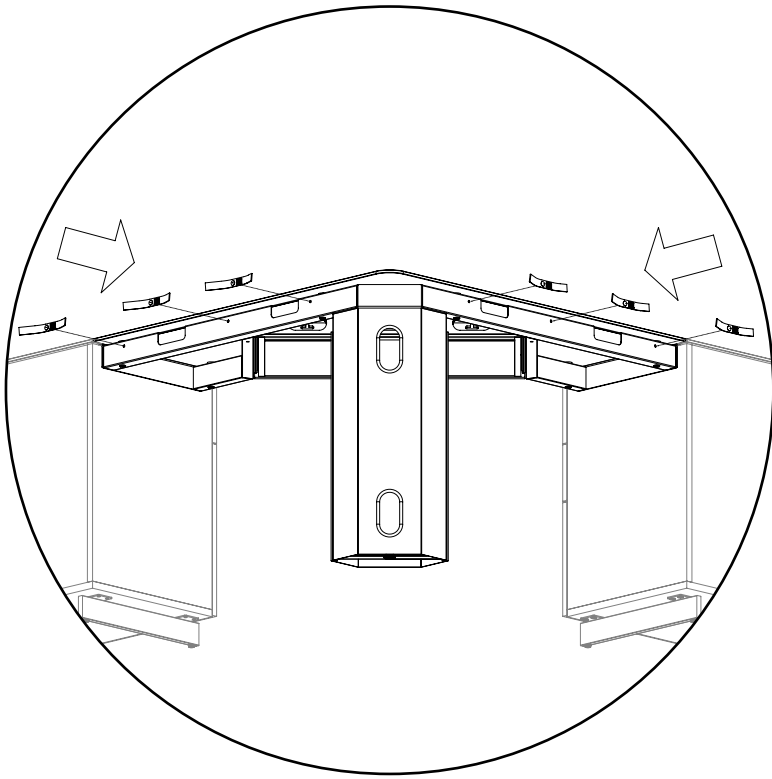
2-Person Assembly



Bumpers, Drawer Liner & Template

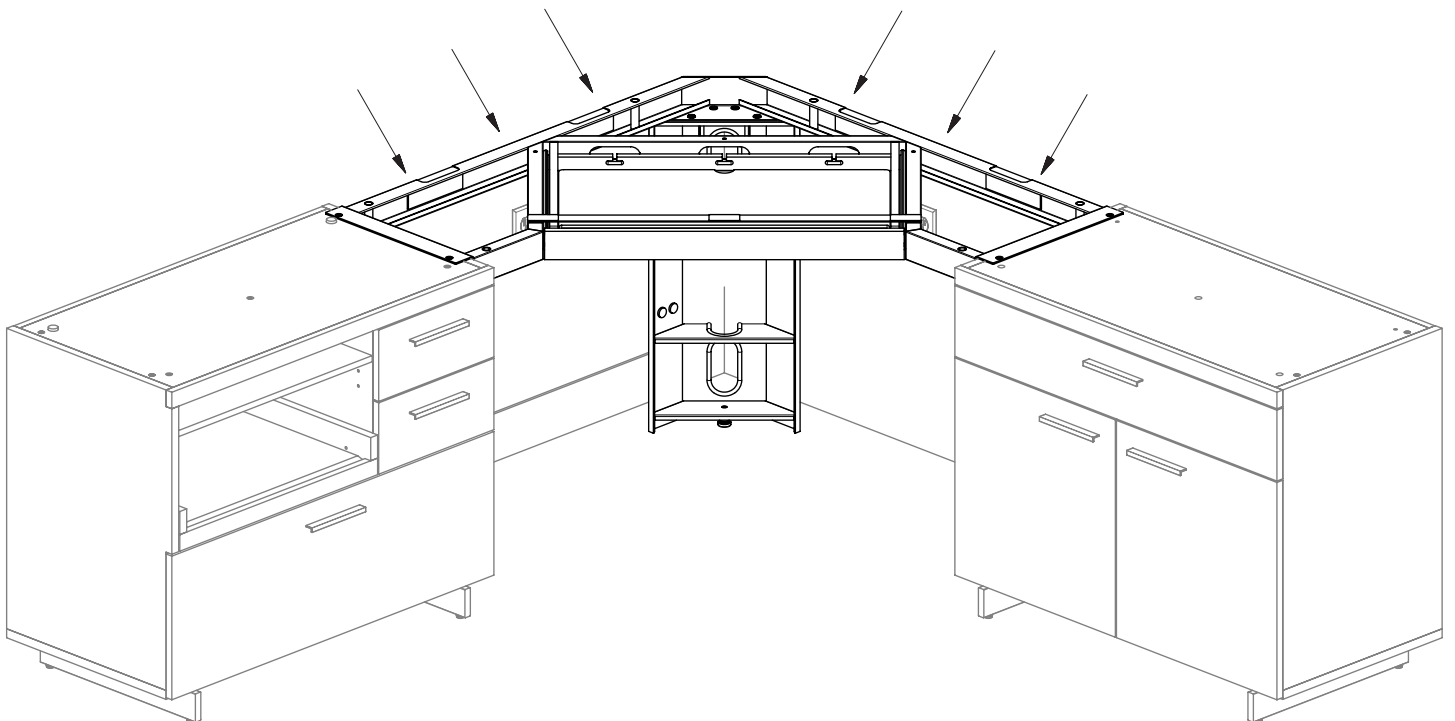
Install Rubber Stem Bumpers (E). With the grippy side facing down insert Drawer Liner (N) into the drawer. At this time, the cardboard template may be removed.

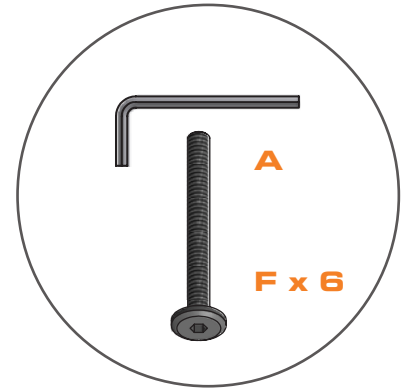
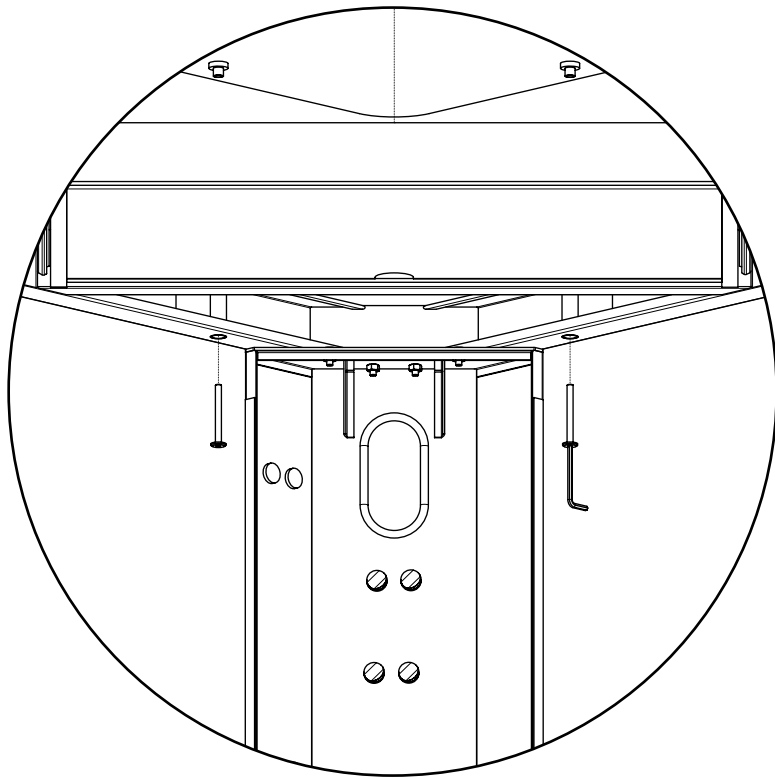




Wire Management (Optional)

For the purpose of wire management, install Velcro Straps (M) to outside perimeter of Desk Frame Assembly (H).

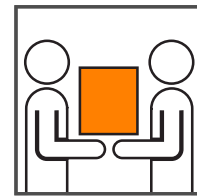
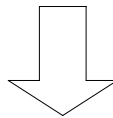




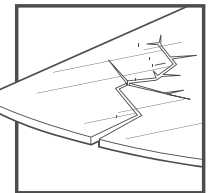
Install Glass

With the help of another person, carefully lower the Glass Top (K) onto the frame. Register the steel discs on underside of glass into the holes on the frame; then attach the glass using Machine Screws (F) and Allen Wrench (A).

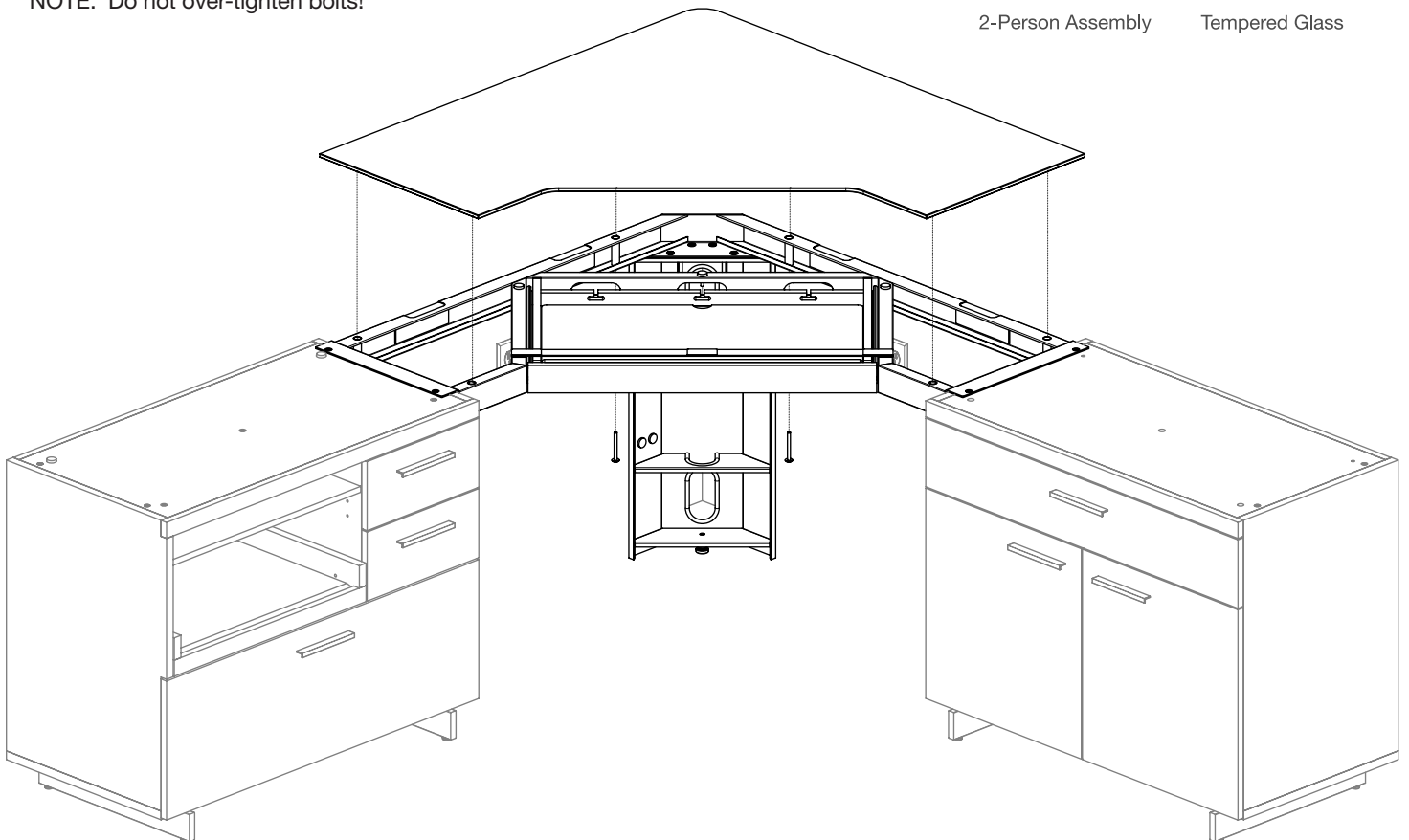
NOTE: Do not over-tighten bolts!



2-Person Assembly

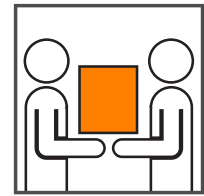


Tempered Glass

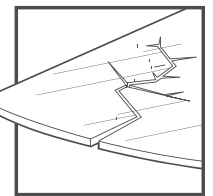


Install Glass

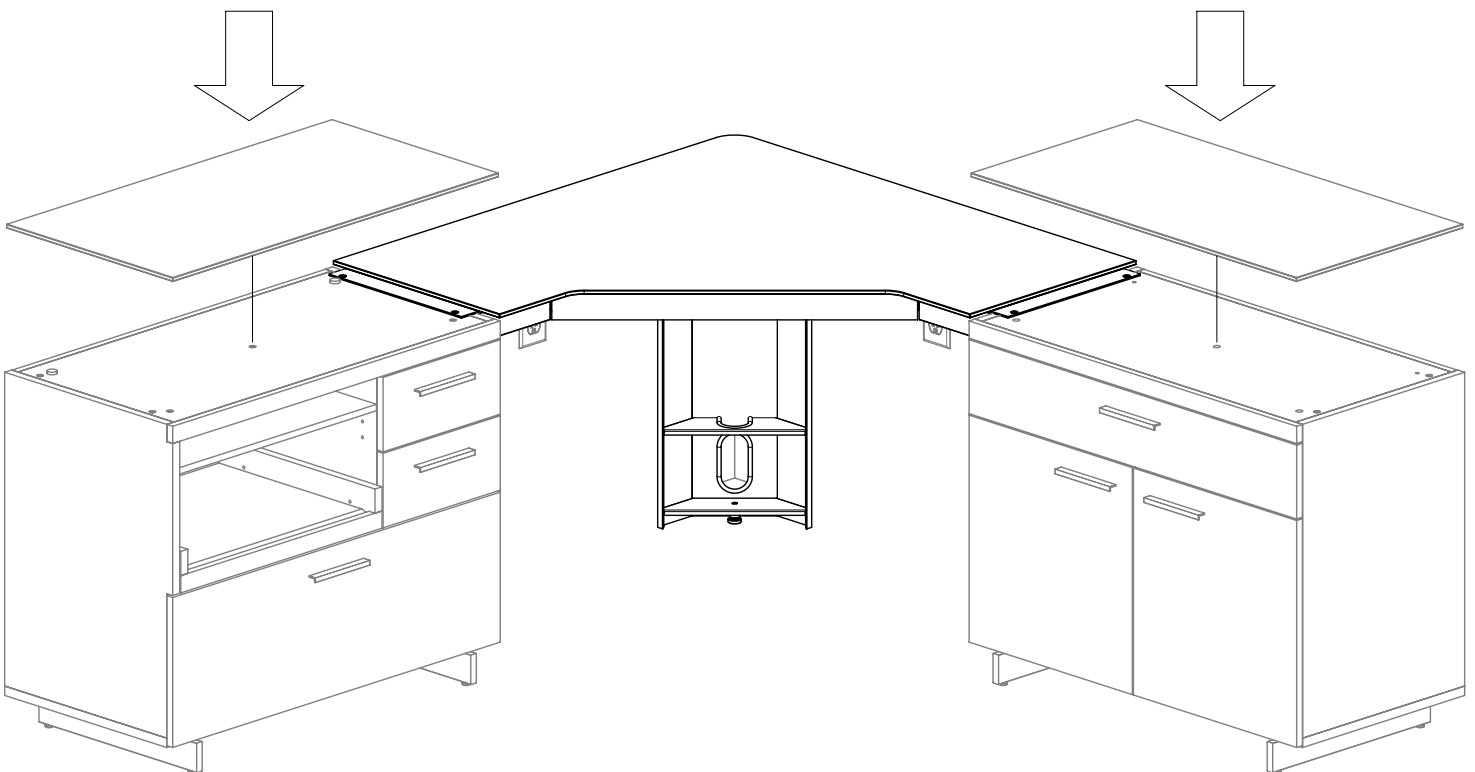
Carefully lower the glass panel onto the Sequel Cabinet (Refer to individual instructions).

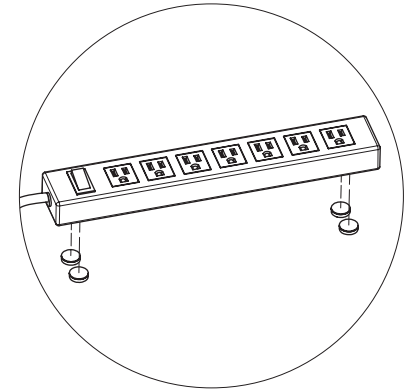
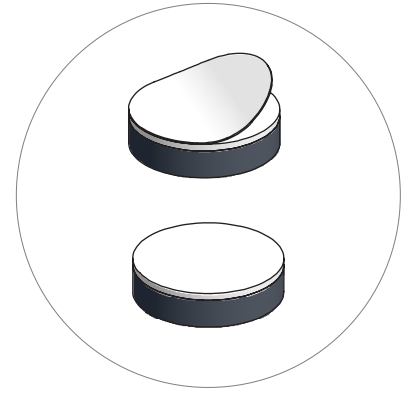
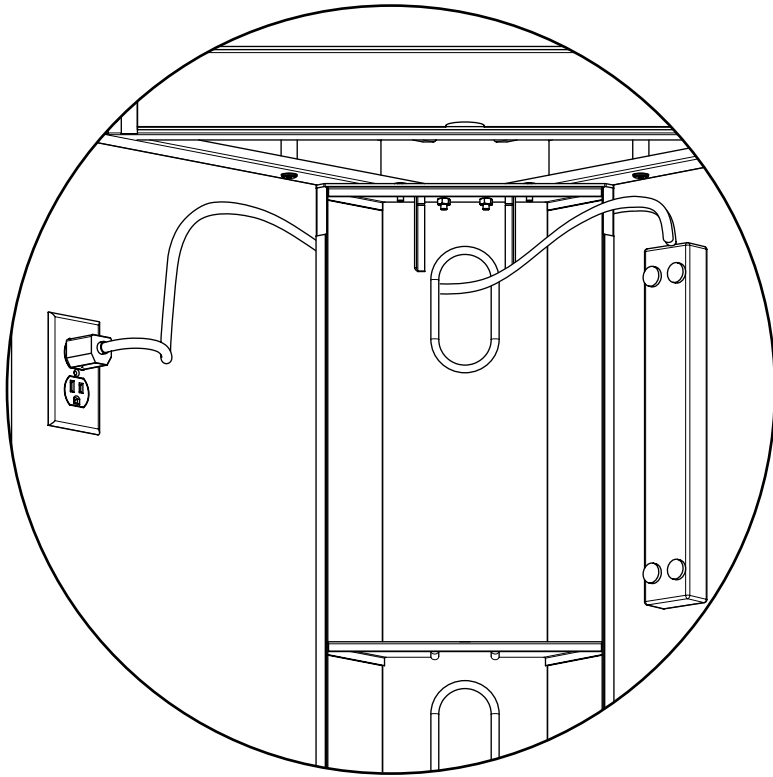


2-Person Assembly



Tempered Glass



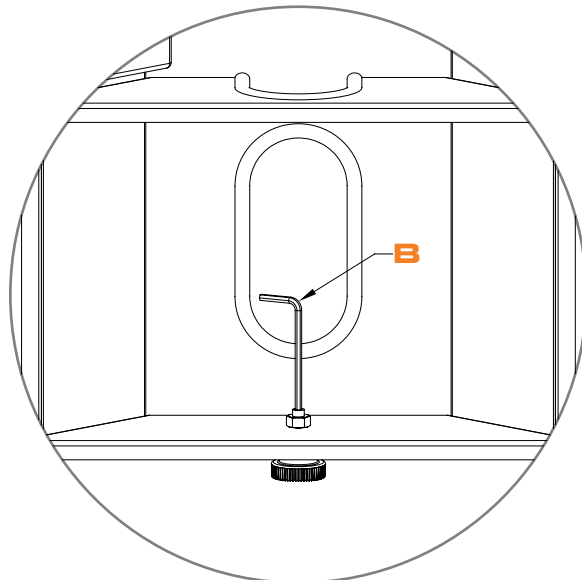
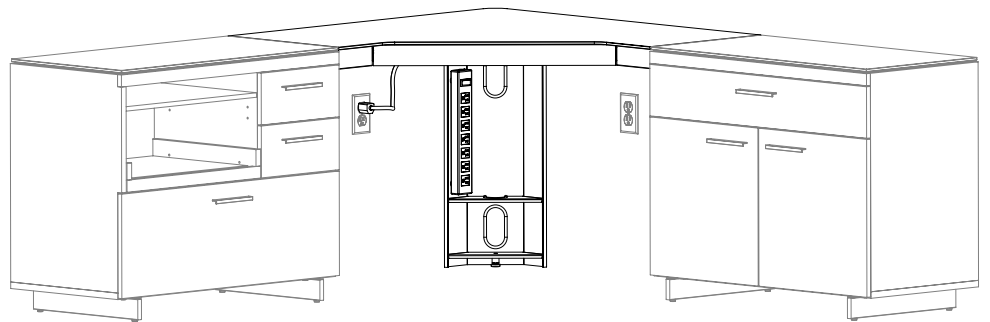


Magnets

Located inside the Corner Leg (I) are 4 magnets that may be peeled and adhered to the rear side of a power strip.

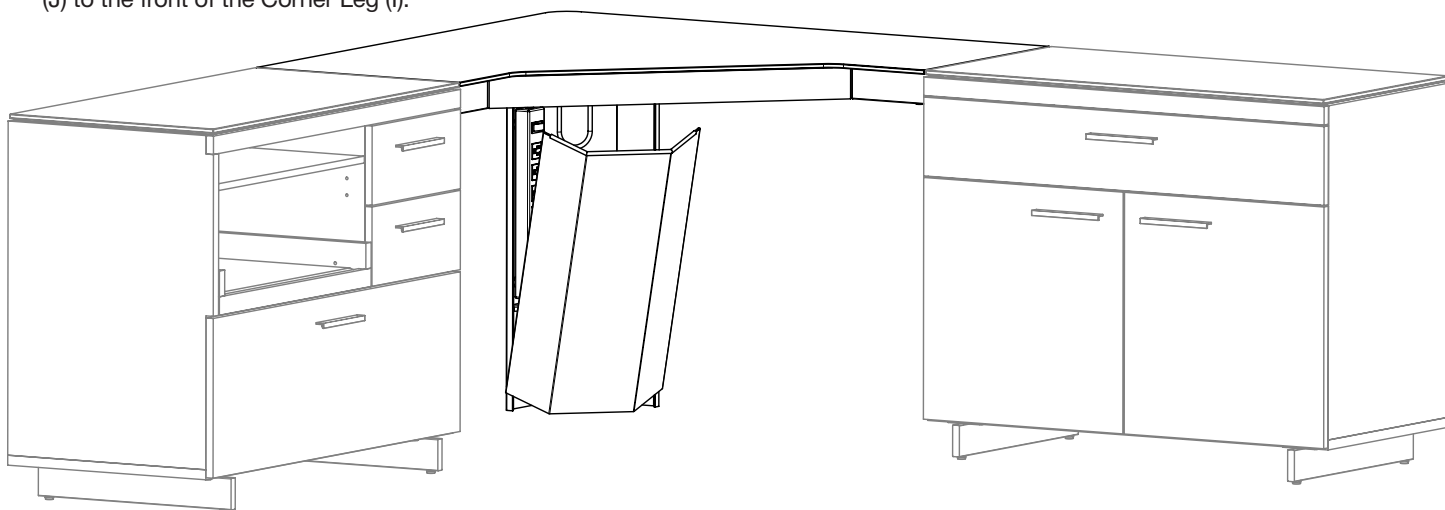
Leveler

If needed, adjust leveler on Corner Leg using 3mm Hex Wrench (B).



Corner Leg Cover

Upon completion of wire management, magnetically attach the Corner Leg Cover (J) to the front of the Corner Leg (I).



Designed by Matthew Weatherly.
These distinctive product configurations are protected
by US and international patents, trade dress, and/or
copyright laws. "Sequel" and BDI are trademarks of
Becker Designed, Inc. All Rights reserved. ©2011, BDI
Made in Taiwan . 6019REV011315v2