

Component List



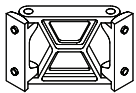
A - 5mm Allen Wrench
x 1



B - 5/16 x 5/8 in
Screws
x 10



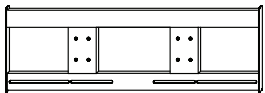
C - Spine x 1



D - Swiveling Bracket
Assembly
x 2



E - 5/16 x 1-3/4 in
Screws
x 4



F - Horizontal Mounting
Bracket
x 1



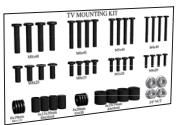
G - 5/16 x 3/8 in
Screws
x 4



H - Washer x 4



I - Vertical Mounting
Bracket
x 2



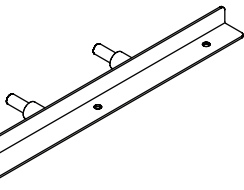
J - TV Mounting Kit
x 1



K - Leveling Disc x 2



L - Jam Nut x 2



M - Cabinet Mount
Brackets
x 2

Your Arena Flat Panel Mount is engineered for easy assembly. Carefully follow this procedure to prevent any damage.

Placement and Maintenance

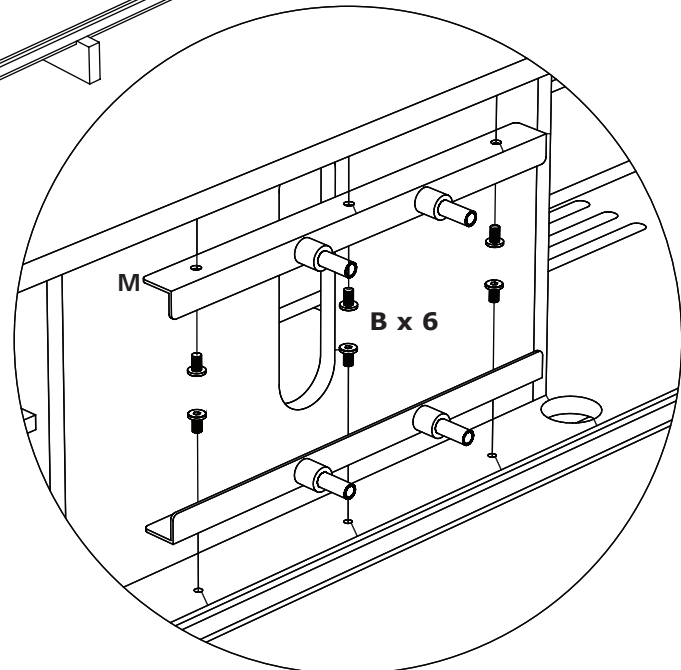
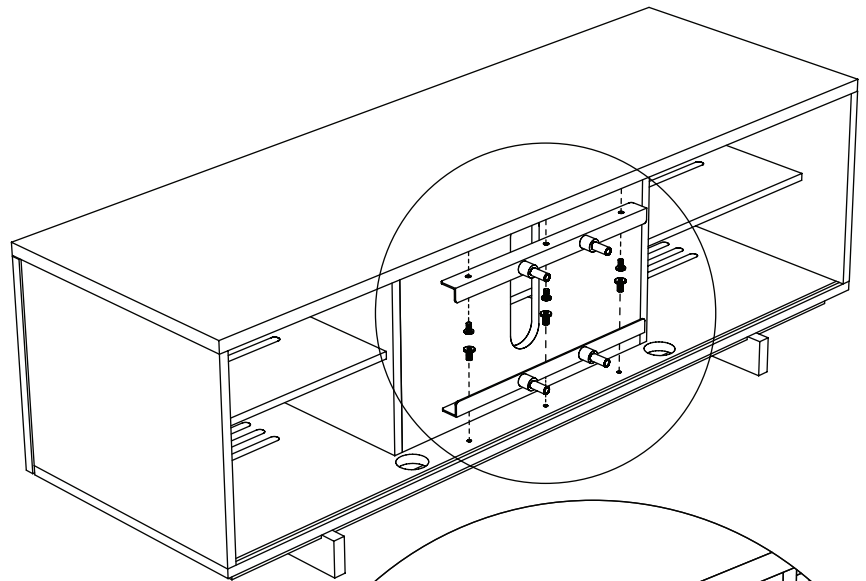
Arena Flat Panel Mount is designed for indoor use and only on BDI cabinets. Clean steel parts with a moist cloth.

Step 1

Unpack and identify the components at left. The assembly workspace should be a non-marring surface such as carpet. For missing hardware pieces, please contact BDI Customer Service at customerservice@bdiusa.com. For all other concerns, please contact your BDI Retailer.

Step 2

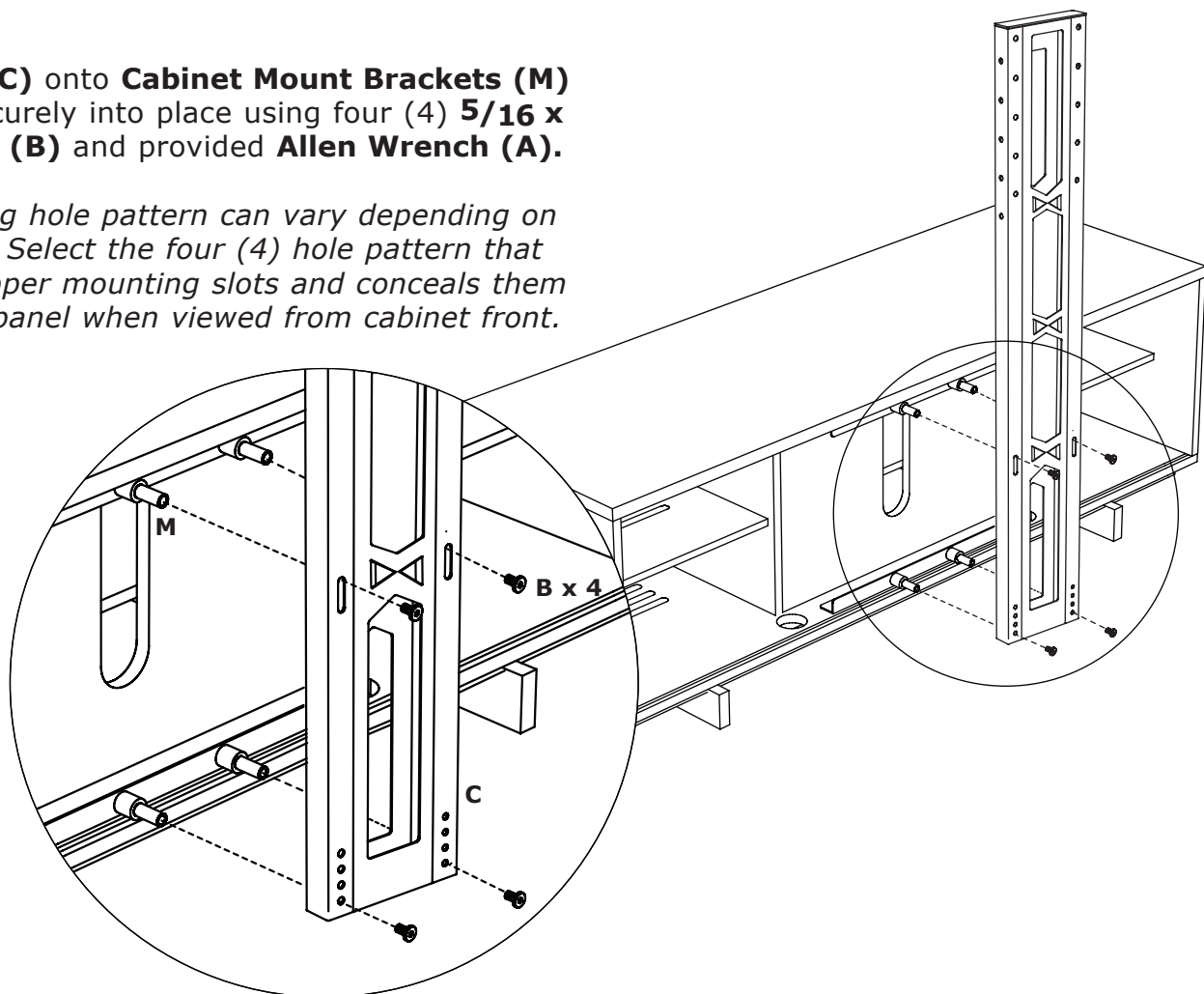
Attach two **Cabinet Mount Brackets (M)** to rear-center edge of cabinet's Top and Bottom Panels using six (6) **5/16 x 5/8 in Screws (B)** and provided **Allen Wrench (A)**.



Step 3

Attach **Spine (C)** onto **Cabinet Mount Brackets (M)** then fasten securely into place using four (4) **5/16 x 5/8 in Screws (B)** and provided **Allen Wrench (A)**.

NOTE: Mounting hole pattern can vary depending on cabinet model. Select the four (4) hole pattern that fits with the upper mounting slots and conceals them below the top panel when viewed from cabinet front.

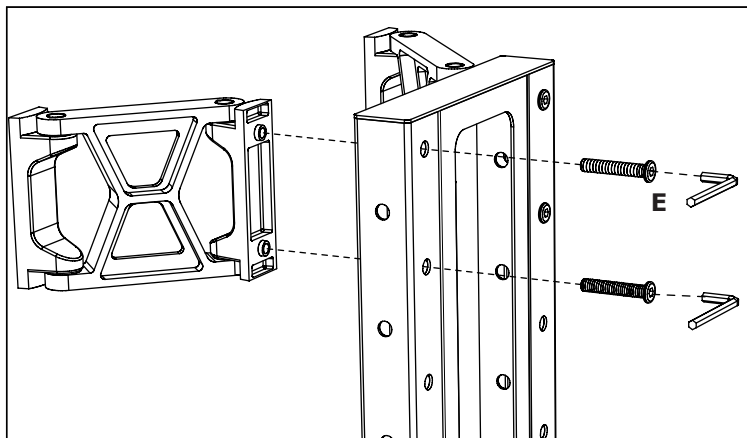


Step 4

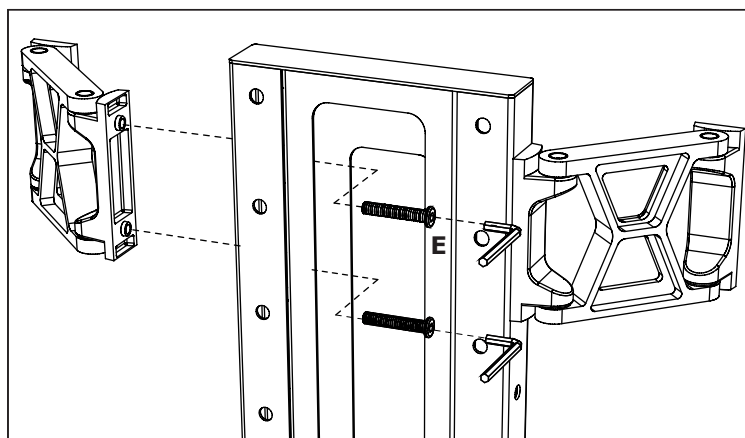
Attach each **Swiveling Bracket Assembly (D)** to top of **Spine (C)** with four (4) provided **5/16 x 1-3/4 in Screws (E)** using **Allen Wrench (A)**. Be sure to position each Swiveling Bracket Assembly so that it aligns with and inserts cleanly into the **Spine (C)** holes.

NOTE: There are several mounting-height positions to choose from on 3" increments. In general, for larger TV's (54" - 60") select a higher set of mounting holes; on smaller TV's (40" - 46") select a lower set of mounting holes.

Front Mount

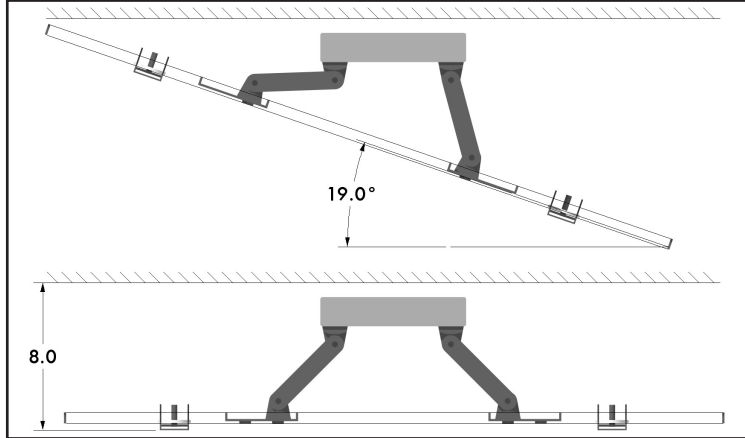


Side Mount

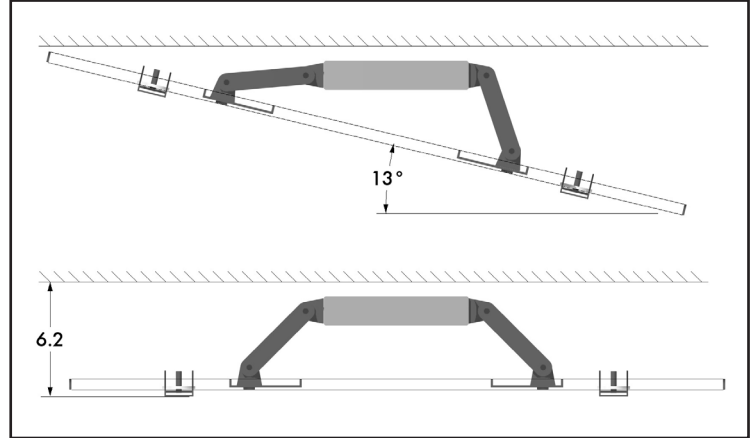


NOTE: Selecting the 'side-mount' Spine location for the Swiveling Brackets will position television close to rear of cabinet, but can limit left-to-right swiveling. Selecting the 'front-mount' Spine location will position television approx 1.5" closer to cabinet front and will enable maximum left-to-right swiveling range.

Front Mount



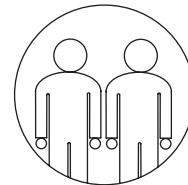
Side Mount



Step 5

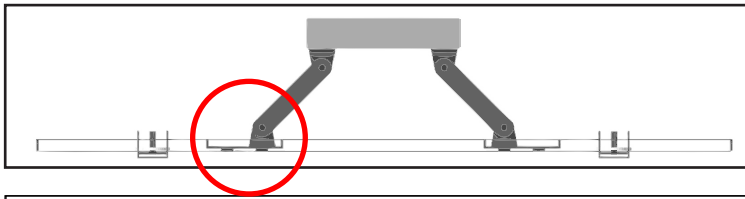
Attach **Horizontal Mounting Bracket (F)** to installed **Swiveling Bracket Assemblies (D)** using four (4) **5/16 x 3/8 in Screws (G)** and four (4) **Washers (H)** with the provided **Allen Wrench (A)**.

*NOTE: Slots along **Horizontal Mounting Bracket (F)** must be at **BOTTOM**. Be sure to position each **Swiveling Bracket Assembly (D)** so that each sits within recessed portion of the **Horizontal Mounting Bracket (F)** (Circled below).*

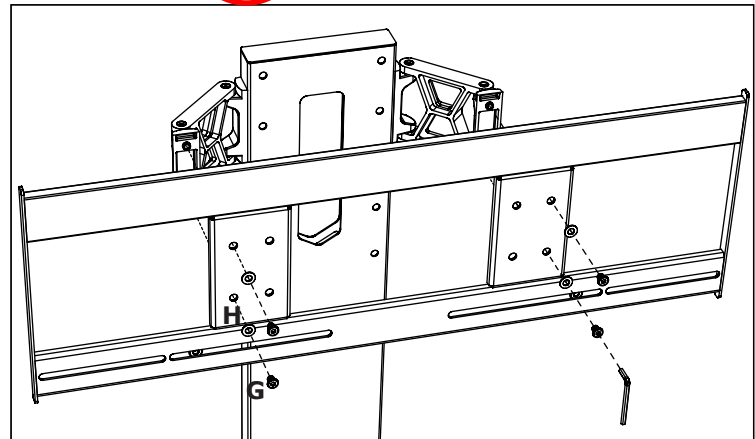
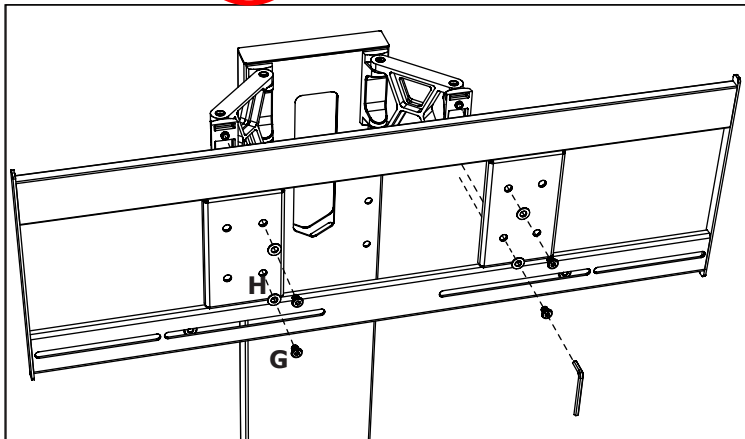
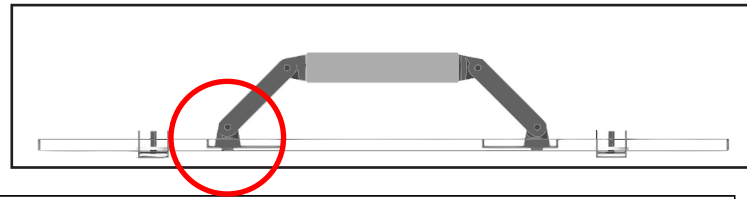


Recommended 2-person step for easy installation

Front Mount



Side Mount

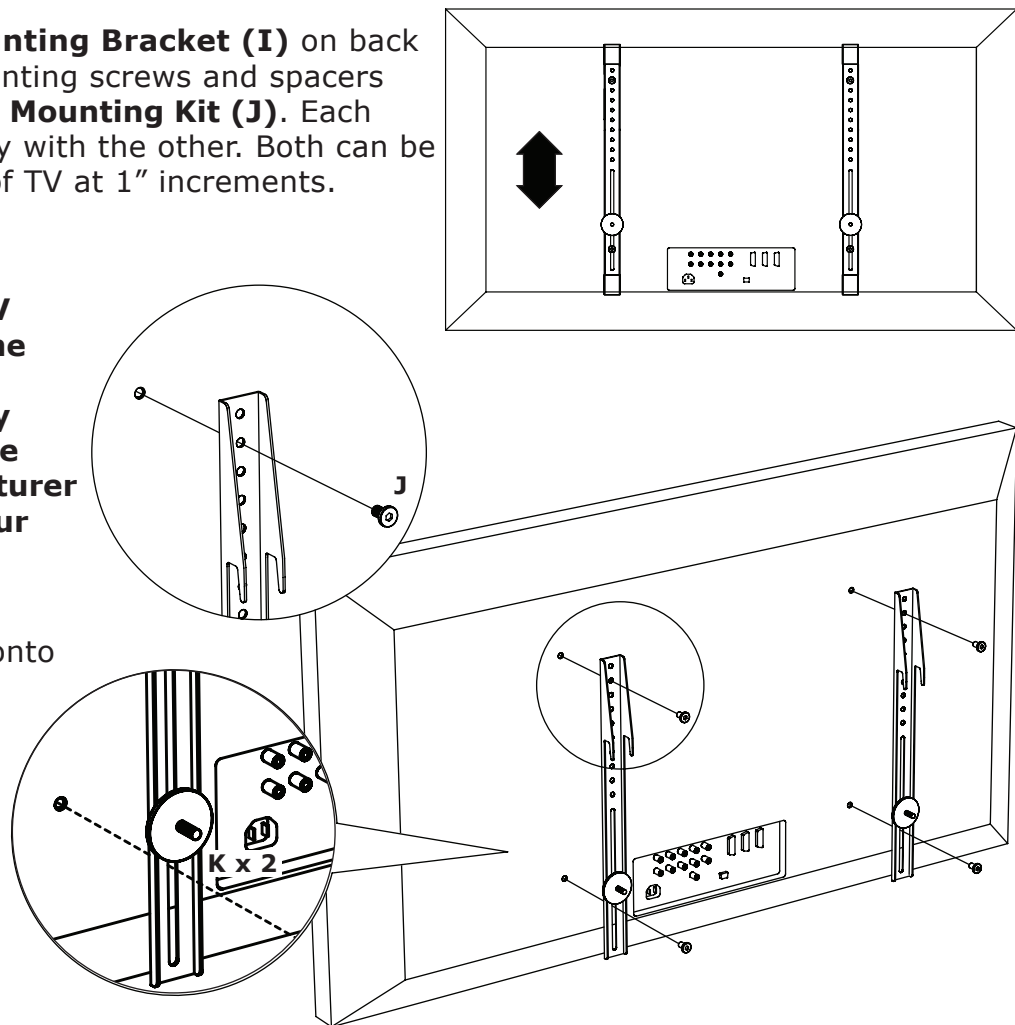


Step 6

Position each **Vertical Mounting Bracket (I)** on back of TV and attach using mounting screws and spacers (if required) provided in **TV Mounting Kit (J)**. Each bracket must align vertically with the other. Both can be raised or lowered on back of TV at 1" increments.

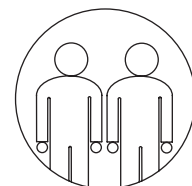
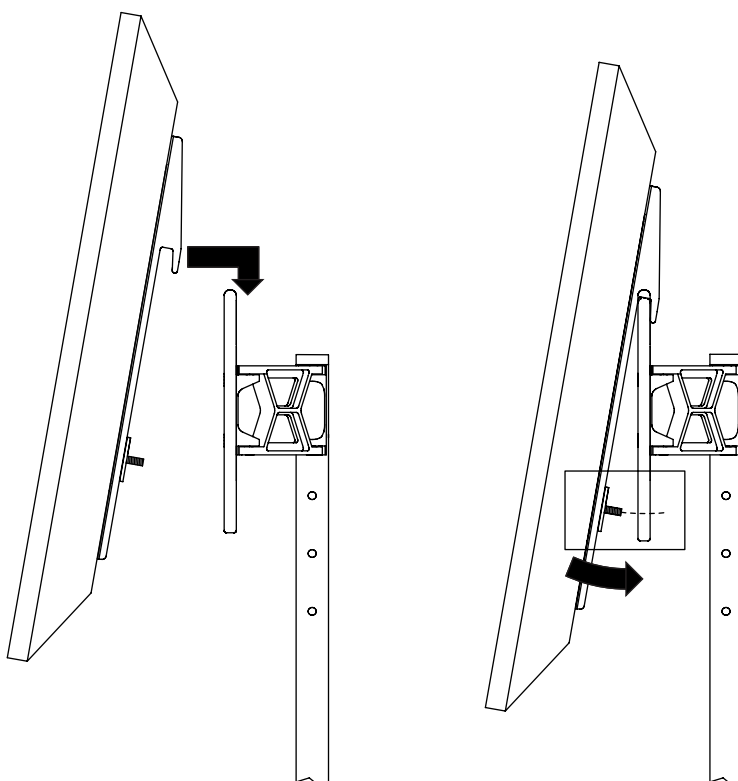
NOTE: Various mounting screws are provided in TV Mounting Kit (J), but some TVs may require specific hardware not provided by BDI. In such cases, please contact your TV manufacturer to identify and source your hardware.

Install **Leveling Disc (K)** onto threaded posts of **Vertical Mounting Bracket (I)**.
Make sure the felt side is facing out.

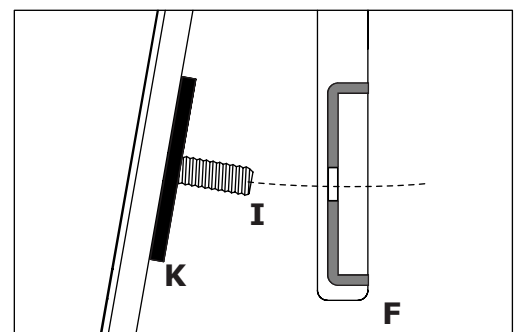


Step 7

With the help of another person, lift television with installed **Vertical Mounting Brackets (I)** and lower carefully onto **Horizontal Mounting Bracket (F)**.

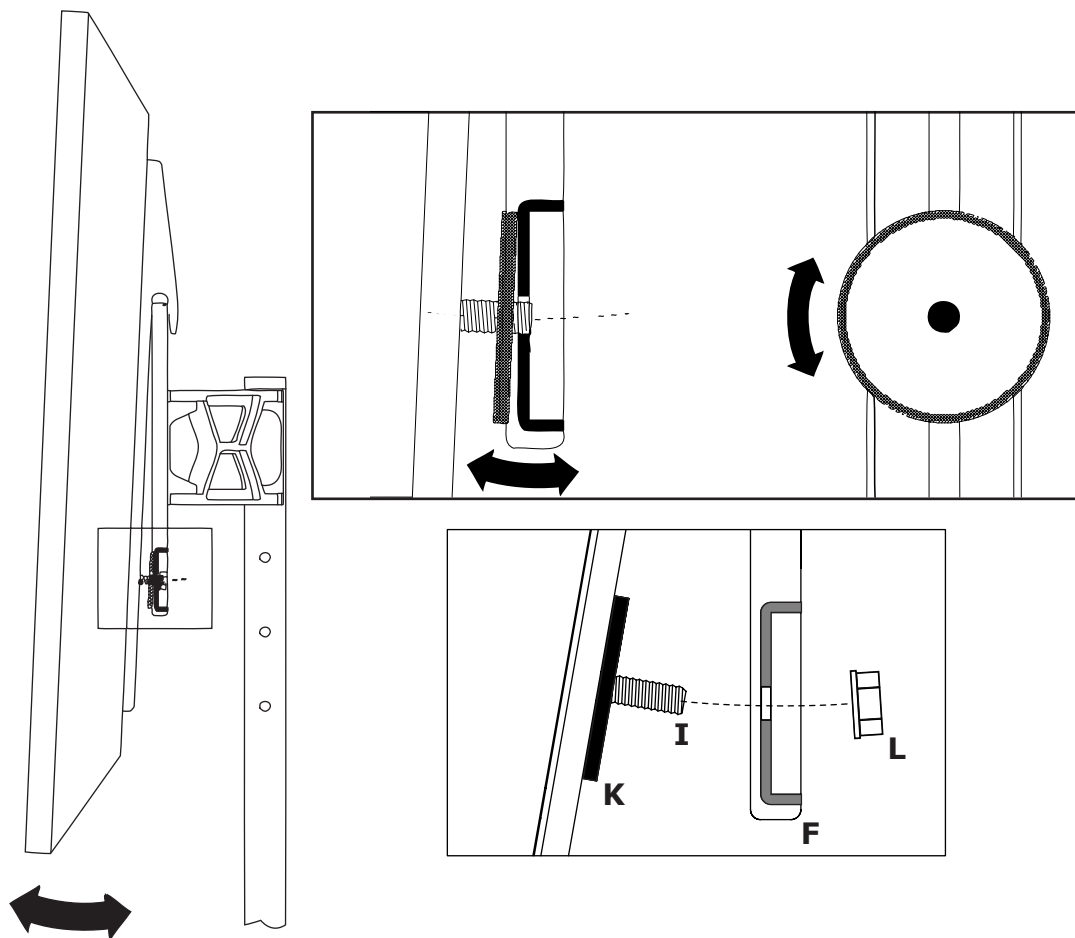


**Recommended
2-person step
for safe
installation**



Step 7 (continue)

Level the TV using the **Leveling Discs (K)** near the slots in the lower **Horizontal Mounting Bracket (F)**. Then secure into place using provided **Jam Nut (L)** on exposed mounting stud until finger-tight.



Step 8

Use the open channel inside **Spine (C)** to organize and route cabling to and from the TV.

