



ATTENTION:

PLEASE FOLLOW
THESE INSTRUCTIONS
CAREFULLY.

SEQUEL[®]

OFFICE

Sequel Peninsula 6018
Assembly and Placement Information





**Thanks for purchasing the
Sequel System.**

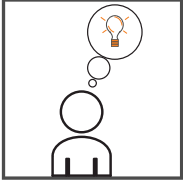
Before you begin setting up the Sequel System Components, it is imperative that you read the Consumer Considerations section on the next page.



Placement

Placement

Once the Sequel System is fully assembled, it cannot be moved. Make all positioning adjustments prior to final assembly.



Plan

Plan your space.

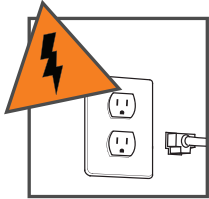
Forethought is essential in determining the placement of each component. Using a measuring tape, determine how much floor space each unit will require. A cardboard template has been provided in order to help aid this process.



2-Person Assembly

Get someone to help you.

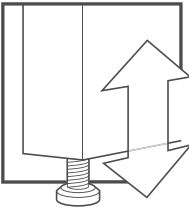
Help from a second person is required for the majority of the steps outlined in this instruction manual.



Power

AC power outlet and wire management

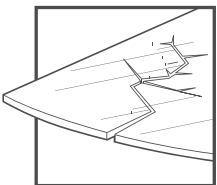
Depending on the configuration of your office set up, the Sequel cabinet may end up resting in front of an AC power outlet. If so, be sure to plug in the AC power strip, phone/ethernet or extension cords prior to placing the cabinet in its final position.



Levelers

Leveling

SEQUEL Furniture is designed for indoor use on level floors. If the floors are uneven, adjust levelers as necessary.



Tempered Glass

Tempered glass.

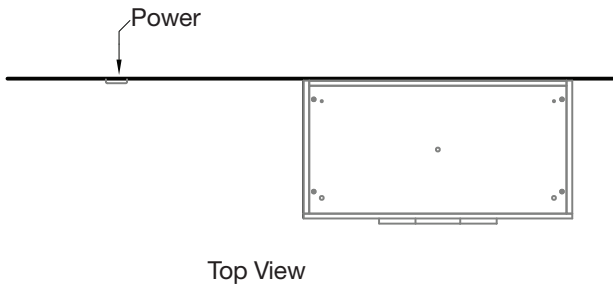
Exercise caution while handling the glass, and be sure to employ the help of another person. Keep edges of glass panels away from hard surfaces in order to prevent breakage.

Power & Placement

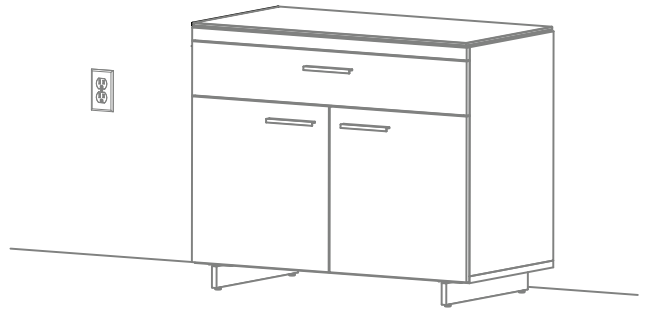
This page outlines two scenarios:

Scenario 1

If cabinet is NOT blocking an AC power outlet, it may be positioned close to the wall.

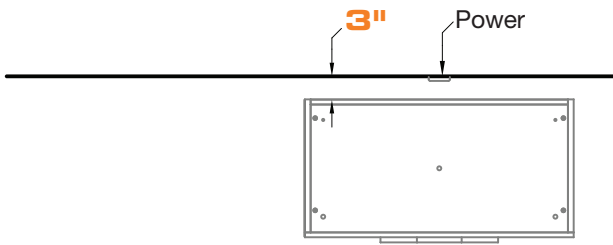


Top View



Scenario 2

If cabinet is going to block an AC power outlet, position cabinet approximately 3" from wall. Low profile extension plugs may be used to reduce the amount of space required in this application.



Top View



Peninsula Model 6018

Your SEQUEL® 6018 Furniture is engineered for easy assembly. Carefully follow this procedure to prevent any damage.

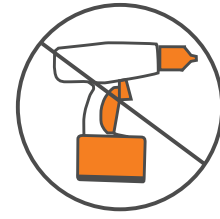
Do not use power tools for assembly of this product.

NOTE: This instruction sheet is intended for both the Left and Right Peninsula 6018; the Right is shown for illustration.

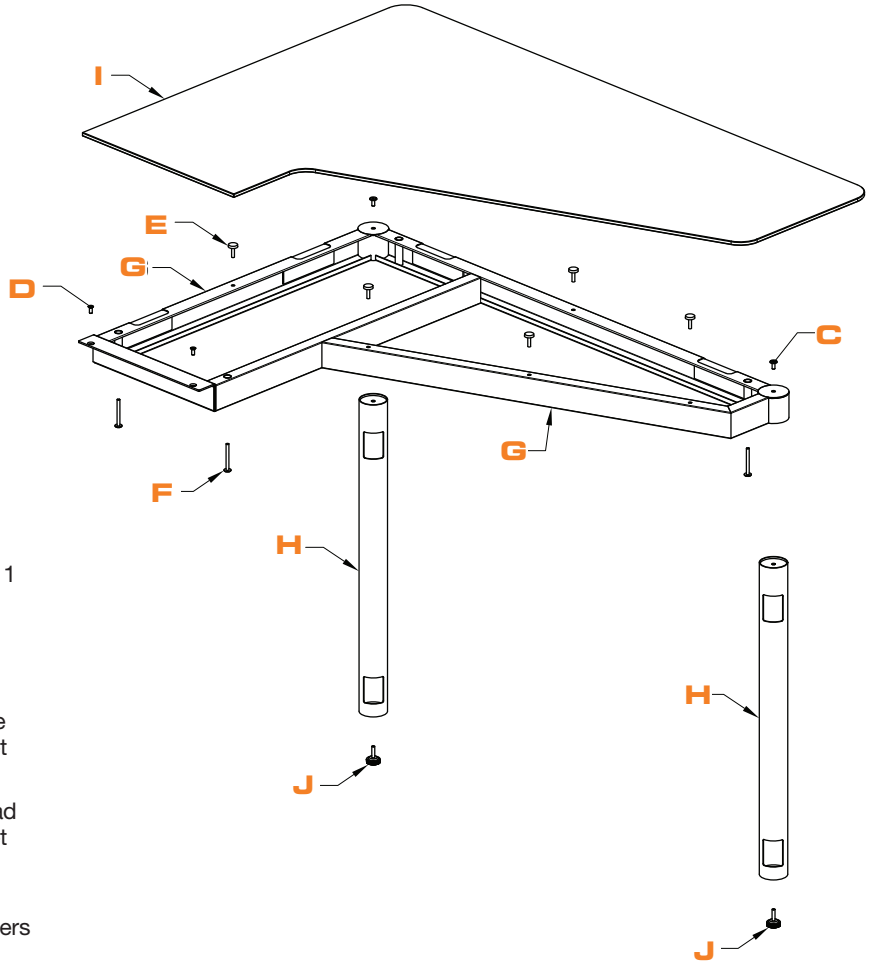
Placement and Maintenance

SEQUEL® 6018 Furniture is designed for indoor use on level floors. Clean glass with glass cleaner, and steel parts and wood veneer with a moist cloth.

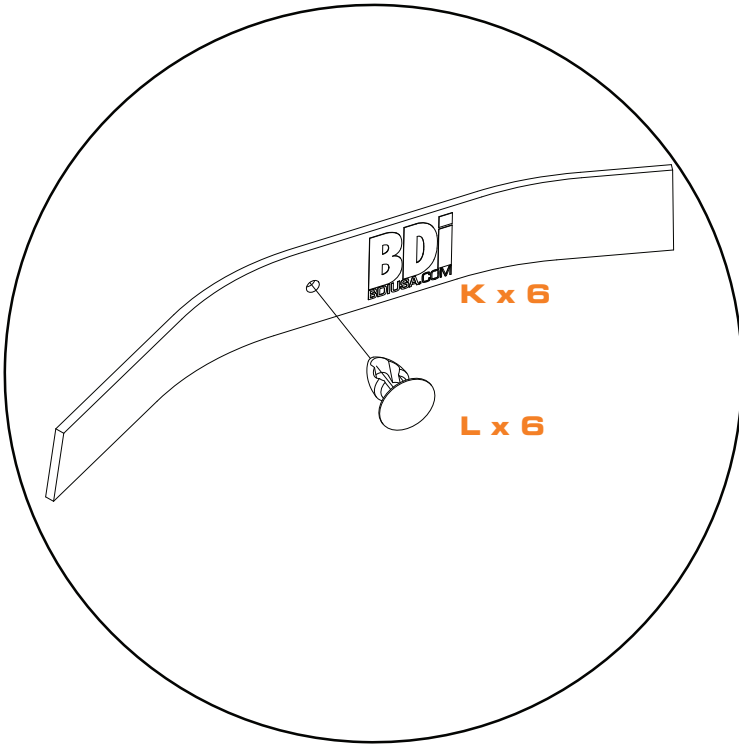
Unpack and identify the components. The assembly workspace should be a non-marring surface such as carpet. For missing hardware pieces, please contact BDI Customer Service at customerservice@bdiusa.com. For all other concerns, please contact your BDI Retailer.



No Power Tools

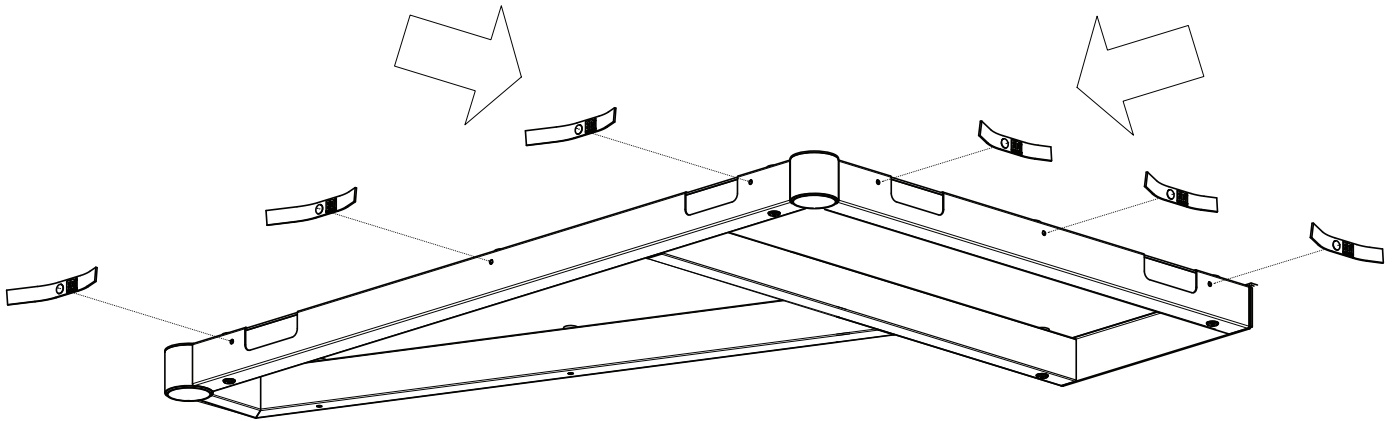


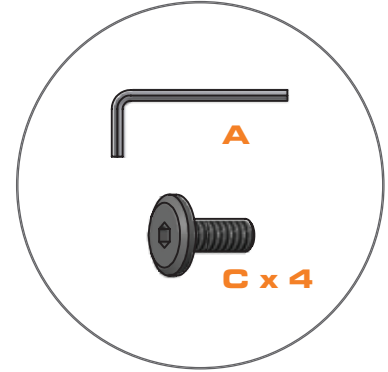
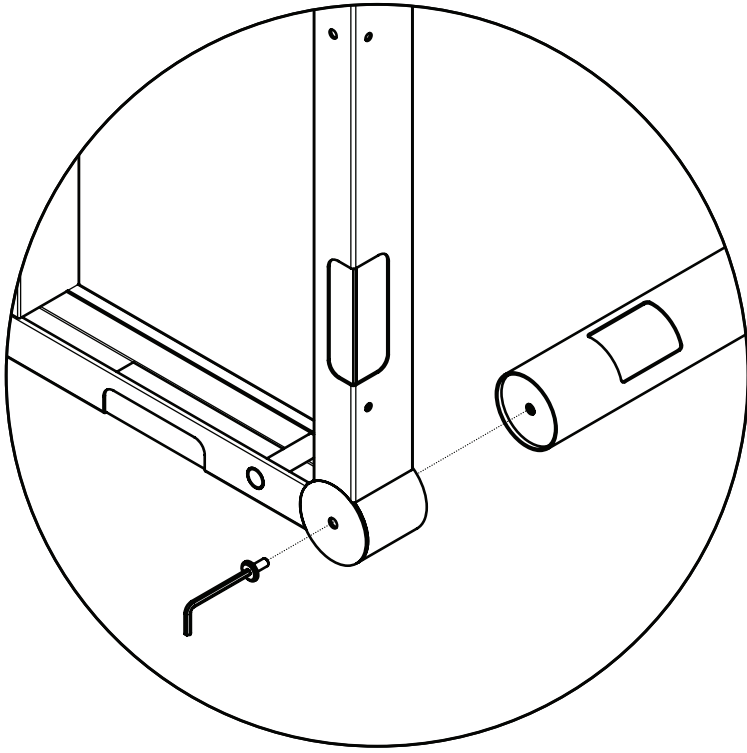
-  **A** Hex Wrench 4mm x 1
-  **B** Hex Wrench 3mm x 1 (for Leveler adjustment)
-  **C** 1/4-20 5/8" Machine Screws 4mm Socket Drive x 2
-  **D** 1/4-20 1/2" Flat Head Screws 4mm Socket Drive x 2
-  **E** Rubber Stem Bumpers x 5
-  **F** 1/4-20 60mm Machine Screws 4mm Socket Drive x 4
- G** Desk Frame Assembly x 1
- H** Round Legs x 2
- I** Glass Top x 1
- J** Leveler x 2
- K** Velcro Strap x 6
- L** Plastic Clip x 6



Wire Management (Optional)

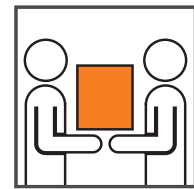
For the purpose of wire management, use Plastic Clip (L) to install Velcro Straps (K) to outside perimeter of Desk Frame Assembly (G).



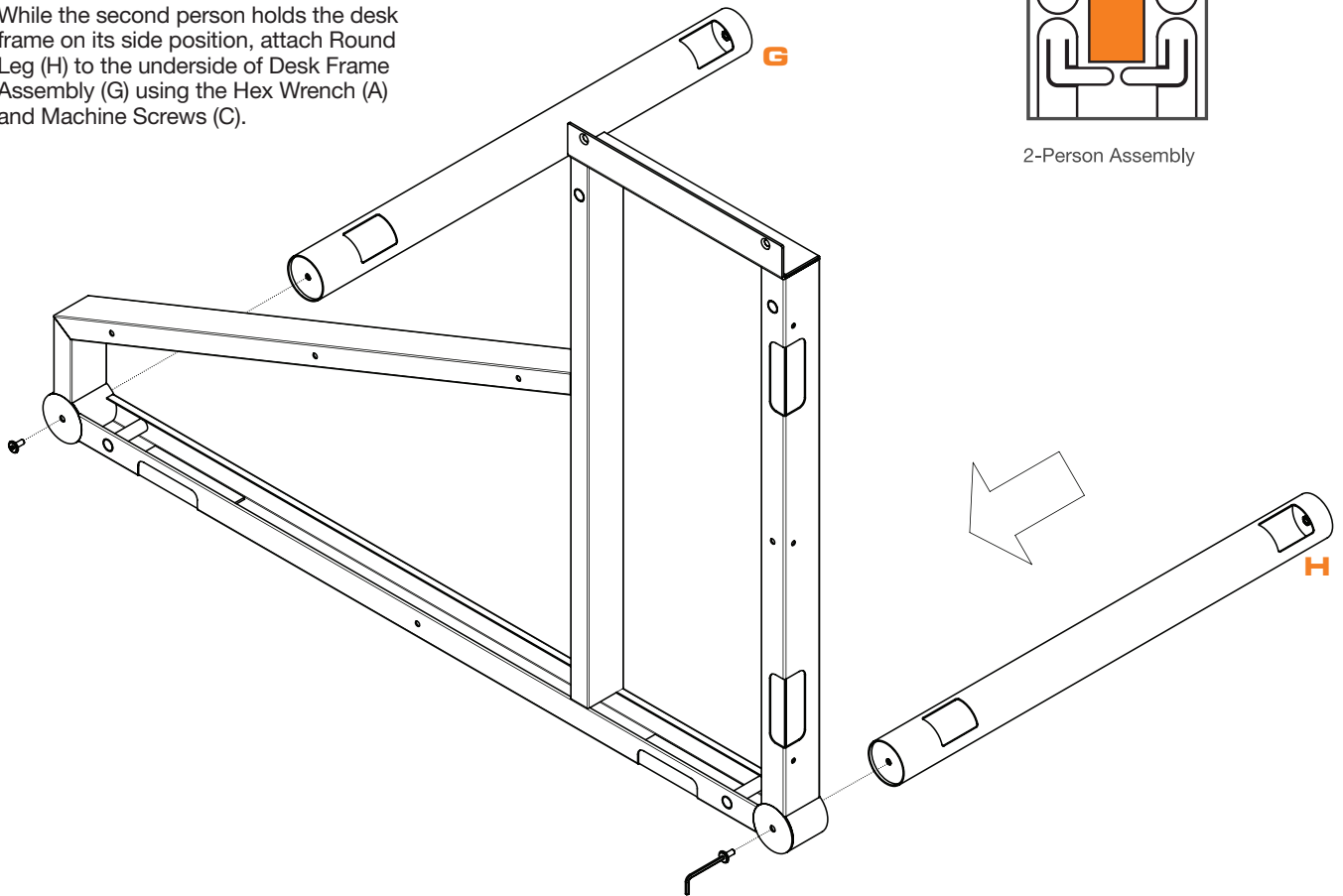


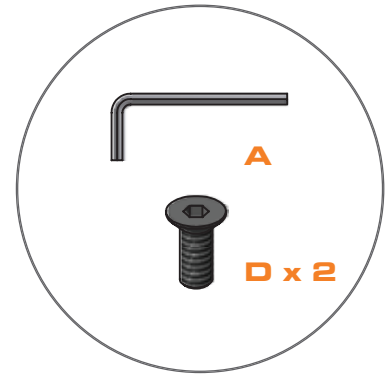
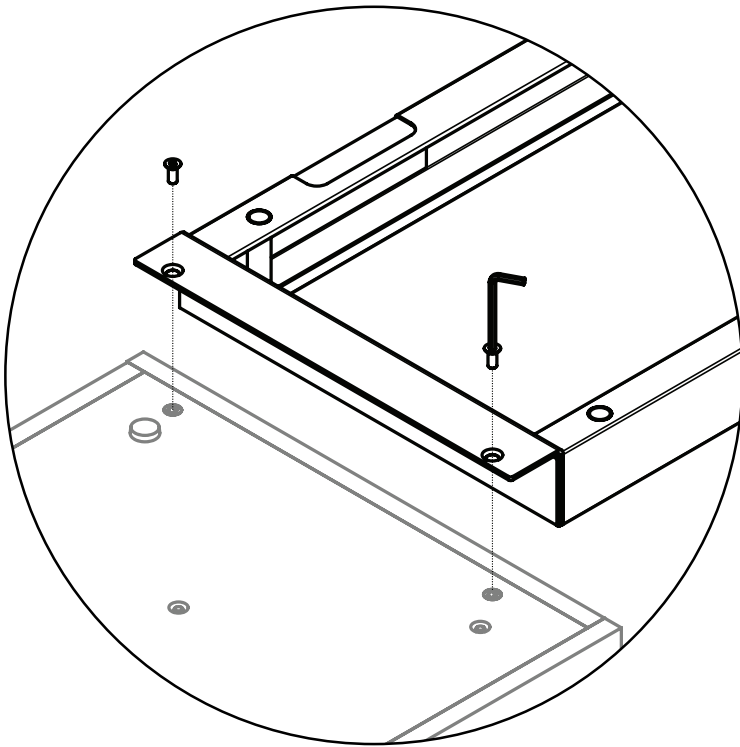
Attach Leg to Desk Frame

While the second person holds the desk frame on its side position, attach Round Leg (H) to the underside of Desk Frame Assembly (G) using the Hex Wrench (A) and Machine Screws (C).



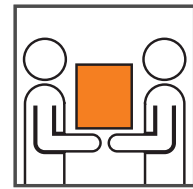
2-Person Assembly



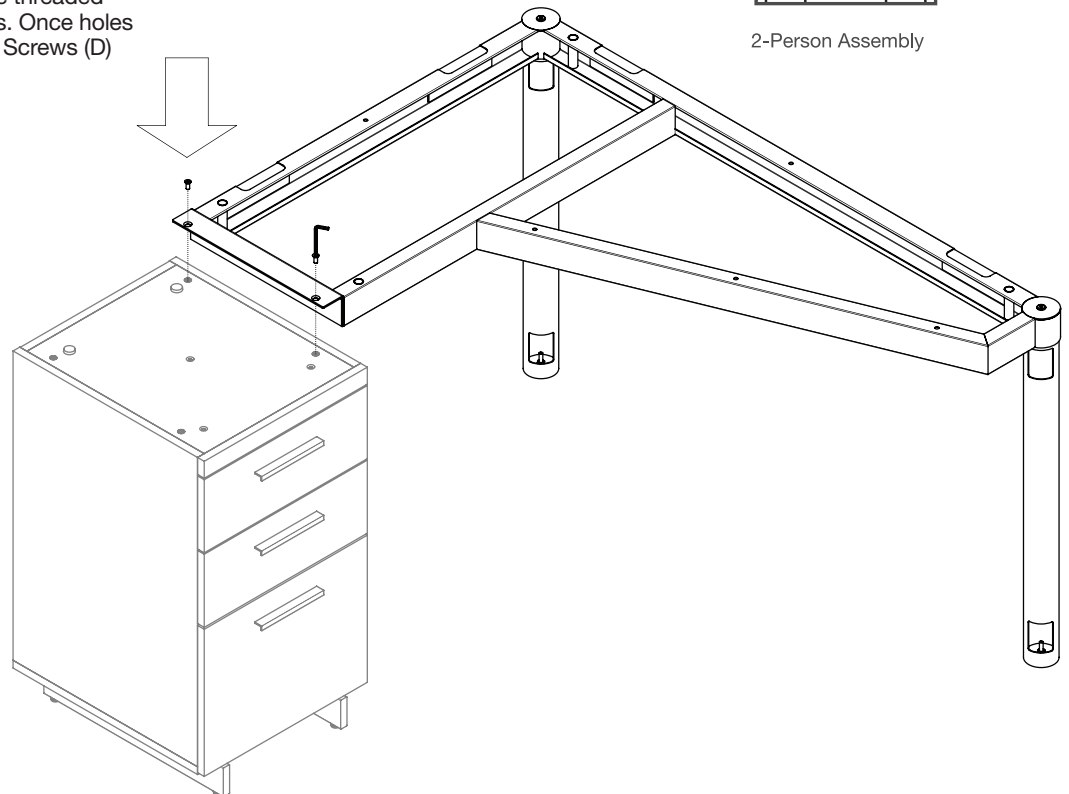


Attach Desk Frame to Cabinets

With the help of another person, carefully lower Desk Frame Assembly (H) onto the adjacent cabinets (Sequel Models 6014, 6015, 6016, or 6017). Adjust frame so that the holes are aligned with the threaded inserts on top of the cabinets. Once holes are aligned, install Flat Head Screws (D) using Hex Wrench (A).

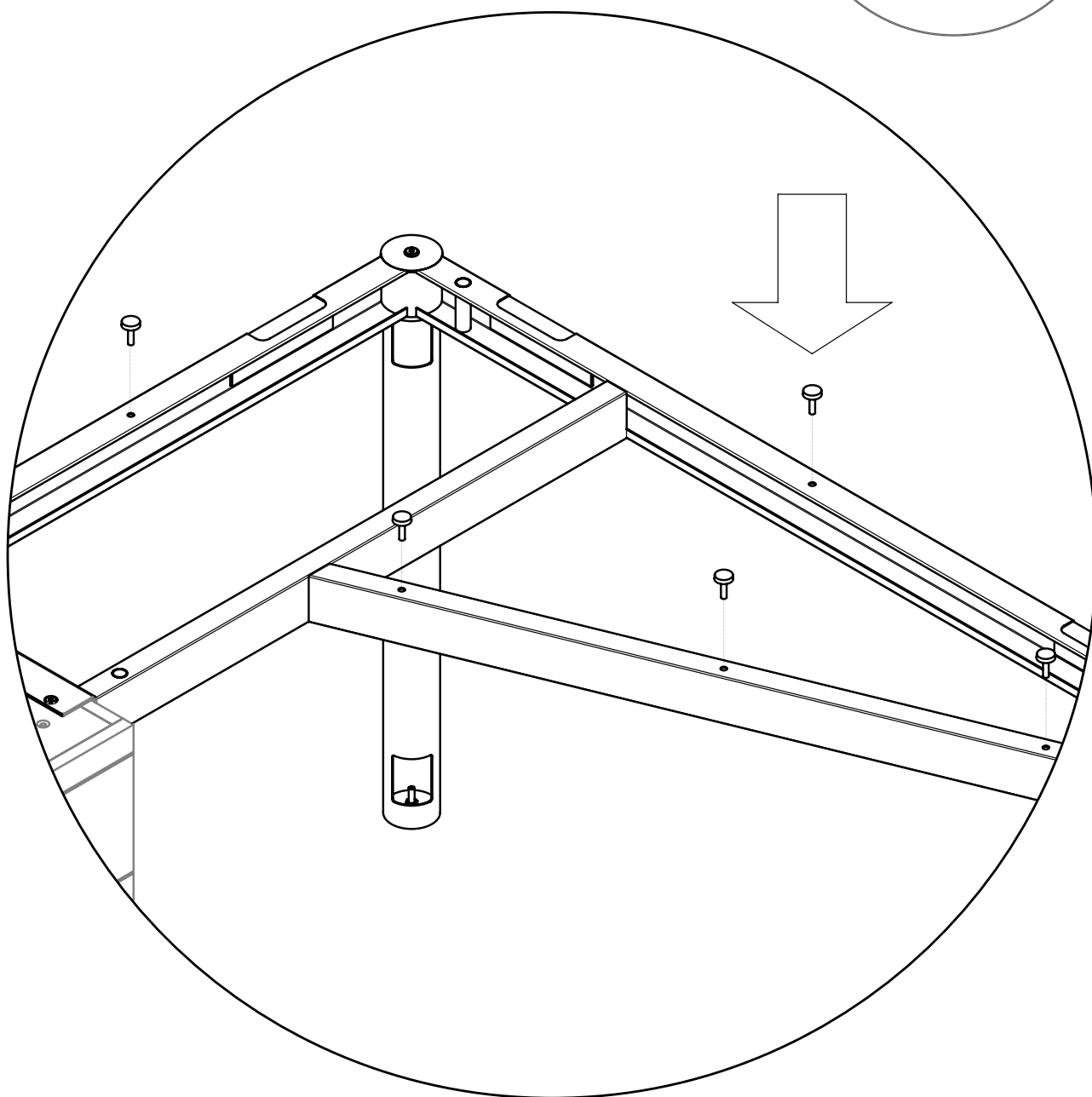
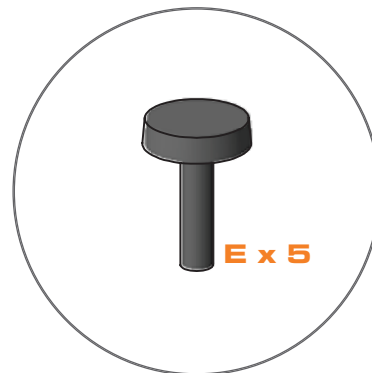


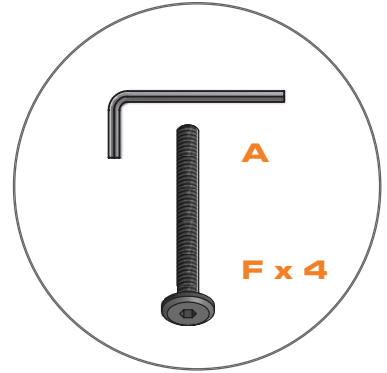
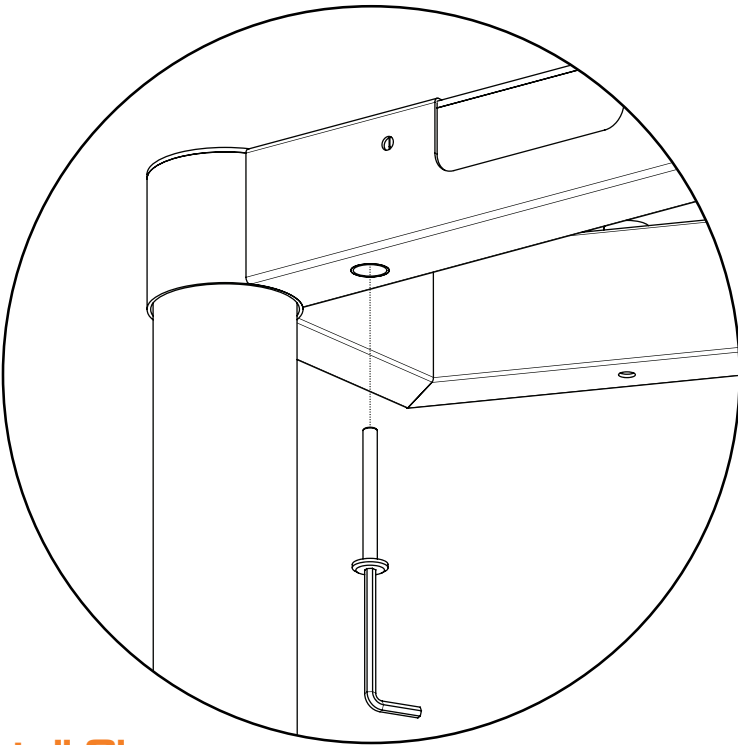
2-Person Assembly



Bumpers

Install Rubber Stem Bumpers (E).

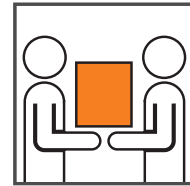
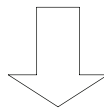




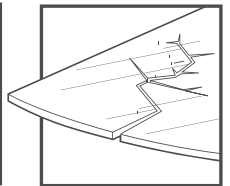
Install Glass

With the help of another person, carefully lower the Glass Top (I) onto the frame. Register the steel discs on underside of glass into the holes on the frame; then attach the glass using Machine Screws (F) and Allen Wrench (A).

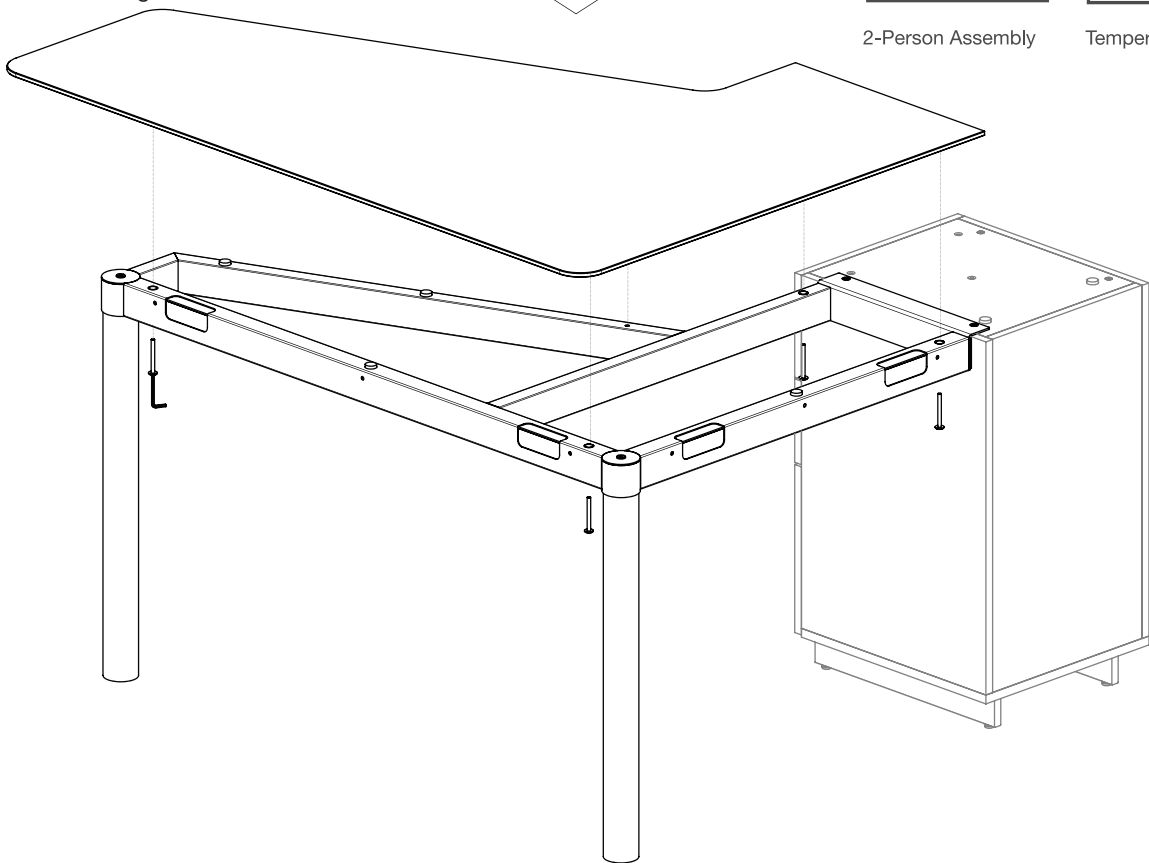
NOTE: Do not over-tighten screws!



2-Person Assembly



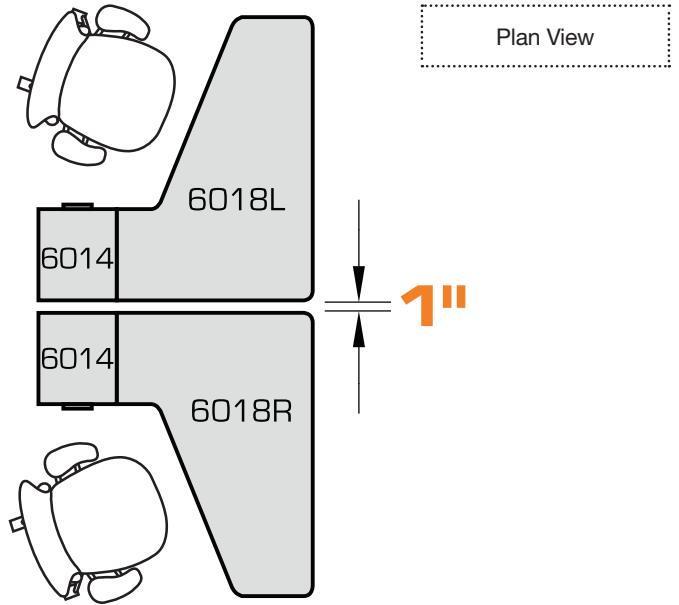
Tempered Glass





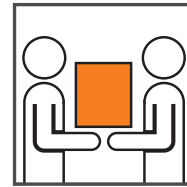
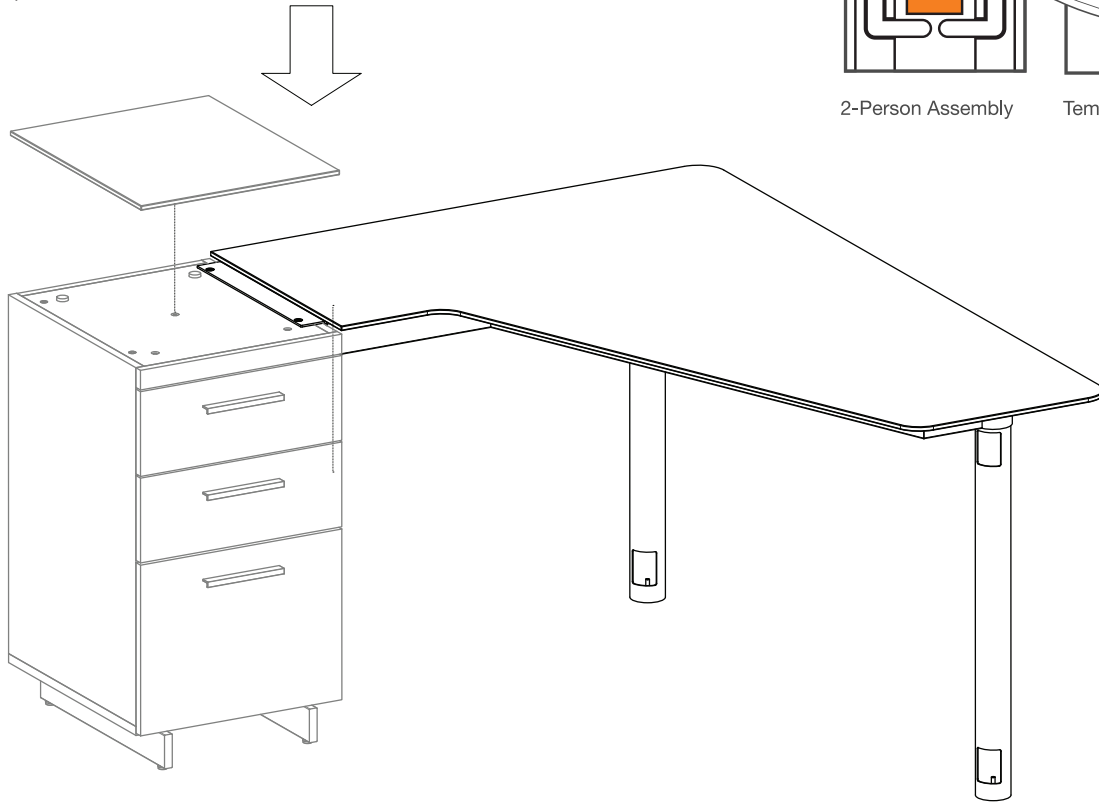
CAUTION:

When setting up multiple workstations, leave at least 1" between each station. Failure to do so may result in damage to tempered glass work surfaces.

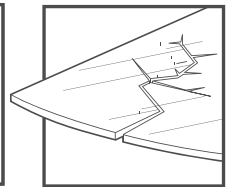


Install Glass

Carefully lower the glass panel onto the Sequel Cabinet (Refer to individual cabinet instructions).



2-Person Assembly



Tempered Glass