
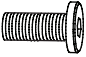

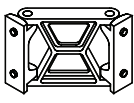

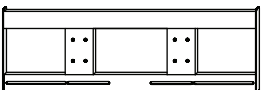
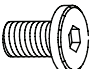

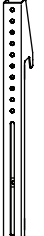
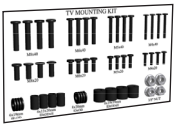
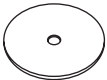

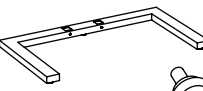





Component List

-  **A** - 5mm Allen Wrench x 1
-  **B** - 5/16 x 5/8 in Screws x 12
-  **C** - Spine x 1
-  **D** - Swiveling Bracket Assembly x 2
-  **E** - 5/16 x 1 3/4 in Screws x 4
-  **F** - Horizontal Mounting Bracket x 1
-  **G** - 5/16 x 3/8 in Screws x 4
-  **H** - Washer x 4
-  **I** - Vertical Mounting Bracket x 2
-  **J** - TV Mounting Kit x 1
-  **K** - Leveling Disc x 2
-  **L** - Jam Nut x 2
-  **M** - C-Leg x 1
-  **N** - Levelers x 4
-  **O** - Base Forks x 1
-  **P** - 5/16 X 1 in Screws x 4

Your Arena Flat Panel Mount is engineered for easy assembly. Carefully follow this procedure to prevent any damage.

Placement and Maintenance

Arena Flat Panel Mount is designed for indoor use on level floors. Clean steel parts with a moist cloth.

NOTICE: ARENA PERFORMS BEST AGAINST OR NEAR A WALL.

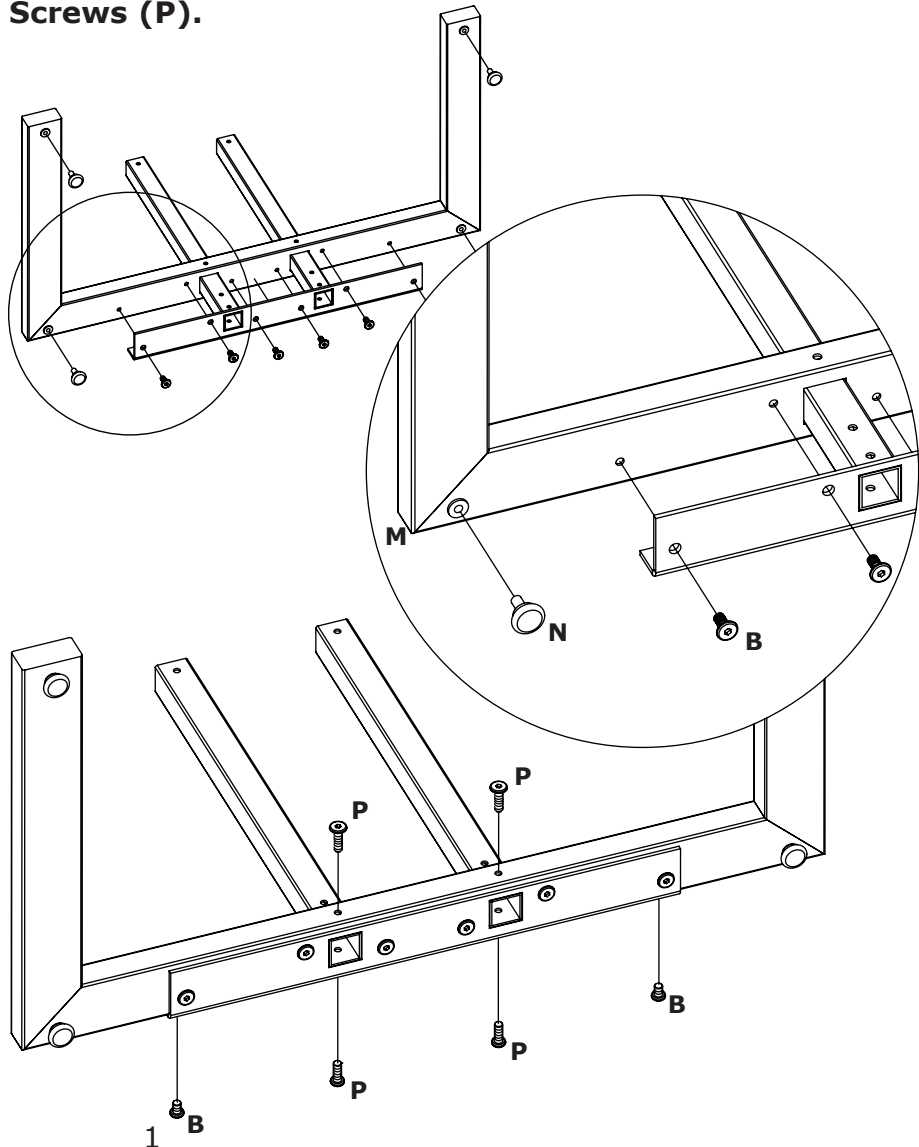
Step 1

Unpack and identify the components at left. The assembly workspace should be a non-marring surface such as carpet. For missing hardware pieces, please contact BDI Customer Service at customerservice@bdiusa.com. For all other concerns, please contact your BDI Retailer.

Step 2

Assemble Base

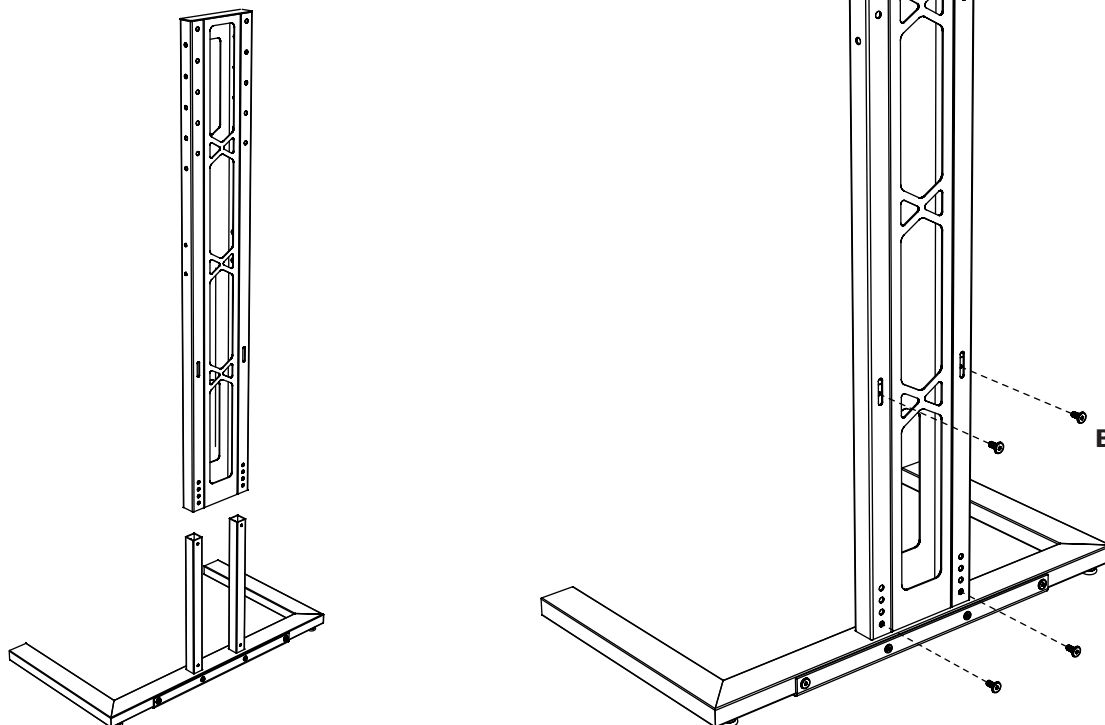
Screw in **Levelers (N)** into **C-Leg (M)**. Attach **Base Forks (O)** to **C-Leg (M)** using provided **Allen Wrench (A)**, six (6) **5/16 x 5/8 in Screws (B)**, and four (4) **5/16 x 1 in Screws (P)**.



Step 3

Lower **Spine (C)** onto upright Base Forks/C-Leg assembly on floor, then fasten securely into place using four (4) **5/16 x 5/8 in Screws (B)** and provided **Allen Wrench (A)**.

NOTE: Be sure that the side with large openings faces rearward.

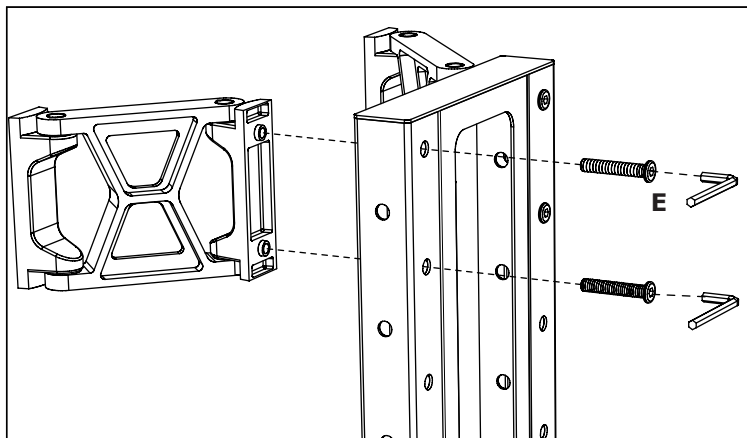


Step 4

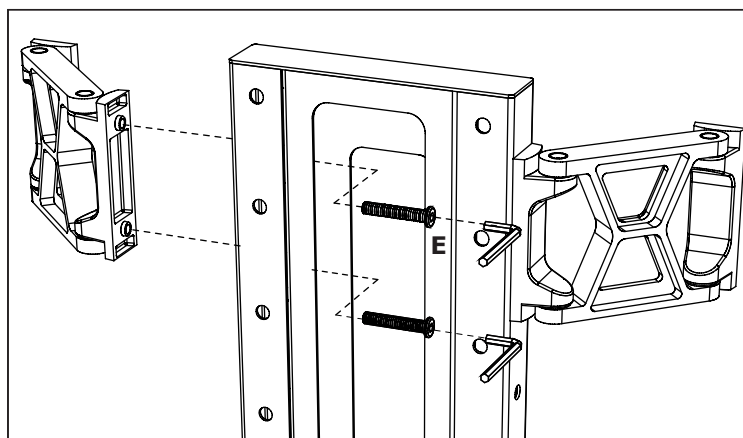
Attach each **Swiveling Bracket Assembly (D)** to top of **Spine (C)** with four (4) provided **5/16" x 1 3/4 in Screws (E)** using **Allen Wrench (A)**. Be sure to position each Swiveling Bracket Assembly so that it aligns with and inserts cleanly into the **Spine (C)** holes.

NOTE: There are several mounting-height positions to choose from on 3" increments. In general, for larger TV's (54" – 60") select a higher set of mounting holes, smaller TV's (40"– 46") select a lower set of mounting holes.

Front Mount

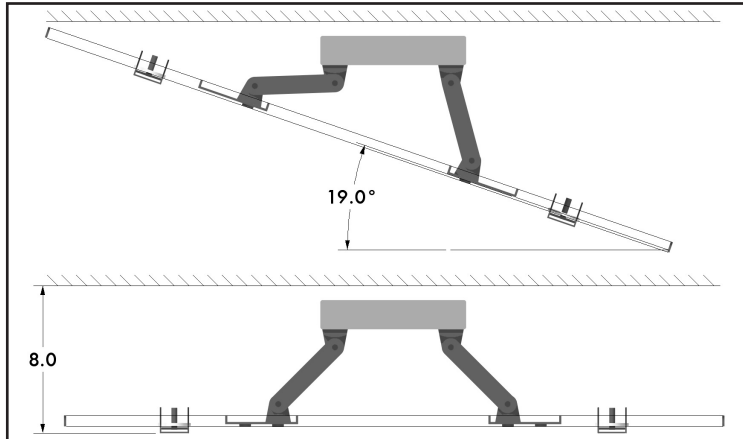


Side Mount

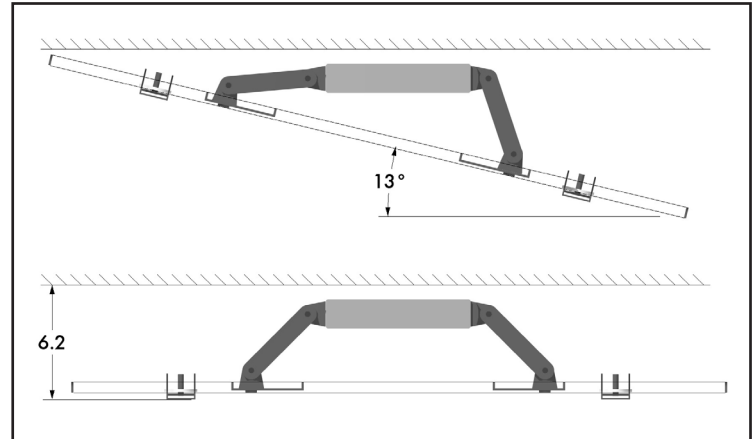


NOTE: Selecting the 'side-mount' Spine location for the Swiveling Brackets will position television close to rear of cabinet, but can limit left-to-right swiveling. Selecting the 'front-mount' Spine location will position television approx 1.5" closer to cabinet front and will enable maximum left-to-right swiveling adjustment.

Front Mount



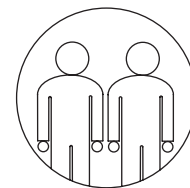
Side Mount



Step 5

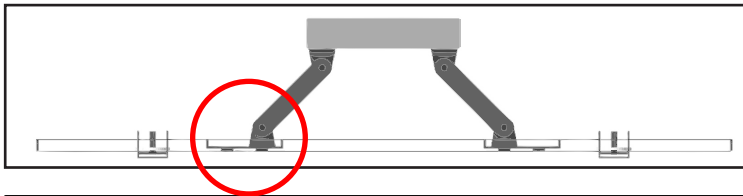
Attach **Horizontal Mounting Bracket (F)** to installed **Swiveling Bracket Assemblies (D)** using four (4) **5/16 x 3/8 in Screws (G)** and four (4) **Washers (H)** with the provided **Allen Wrench (A)**.

*NOTE: Slots along **Horizontal Mounting Bracket (F)** must be at **BOTTOM**. Be sure to position each **Swiveling Bracket Assembly (D)** so that each sits within recessed portion of the **Horizontal Mounting Bracket (F)**. (Circled below)*

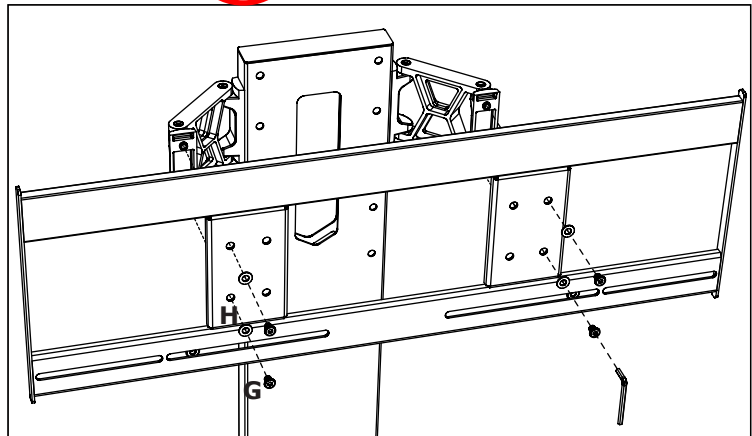
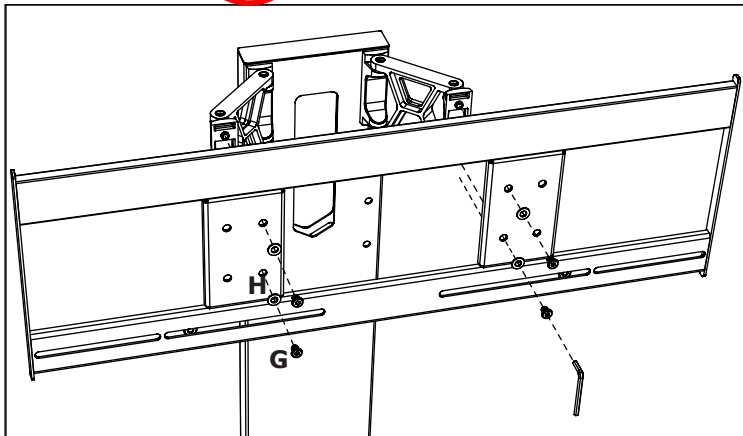
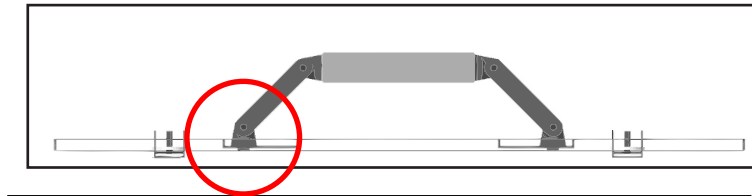


Recommended 2-person Step for easy installation

Front Mount



Side Mount

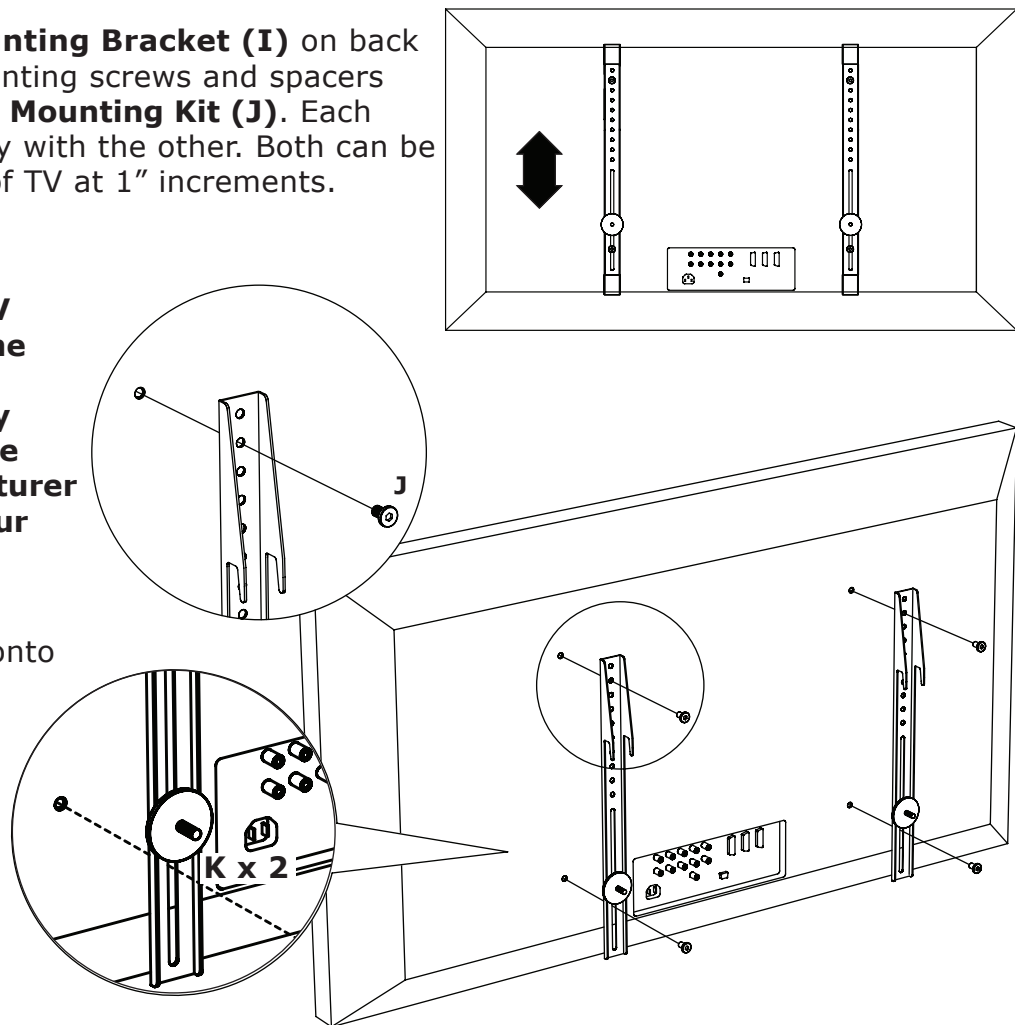


Step 6

Position each **Vertical Mounting Bracket (I)** on back of TV and attach using mounting screws and spacers (if required) provided in **TV Mounting Kit (J)**. Each bracket must align vertically with the other. Both can be raised or lowered on back of TV at 1" increments.

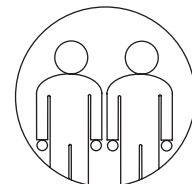
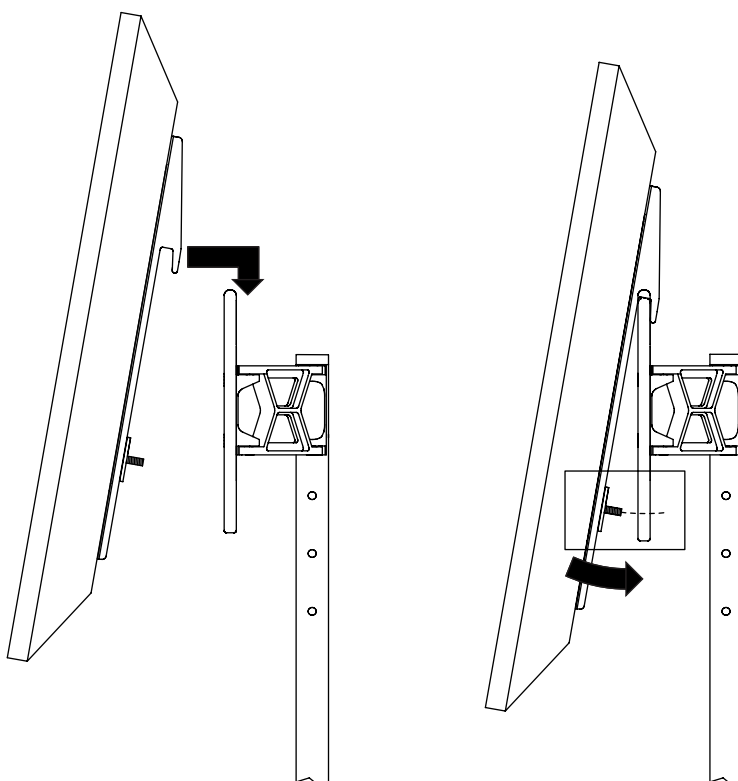
NOTE: Various mounting screws are provided in TV Mounting Kit (J), but some TVs may require specific hardware not provided by BDI. In such cases, please contact your TV manufacturer to identify and source your hardware.

Install **Leveling Disc (K)** onto threaded posts of **Vertical Mounting Bracket (I)**.
Make sure the felt side is facing out.

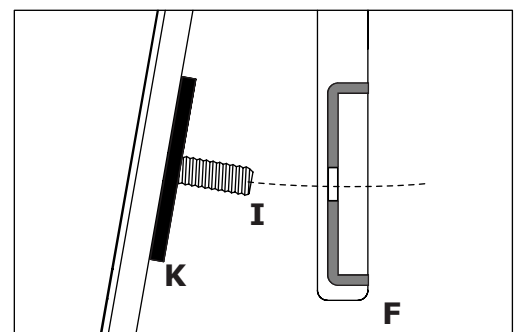


Step 7

With the help of another person, lift television with installed **Vertical Mounting Brackets (I)** and lower carefully onto **Horizontal Mounting Bracket (F)**.

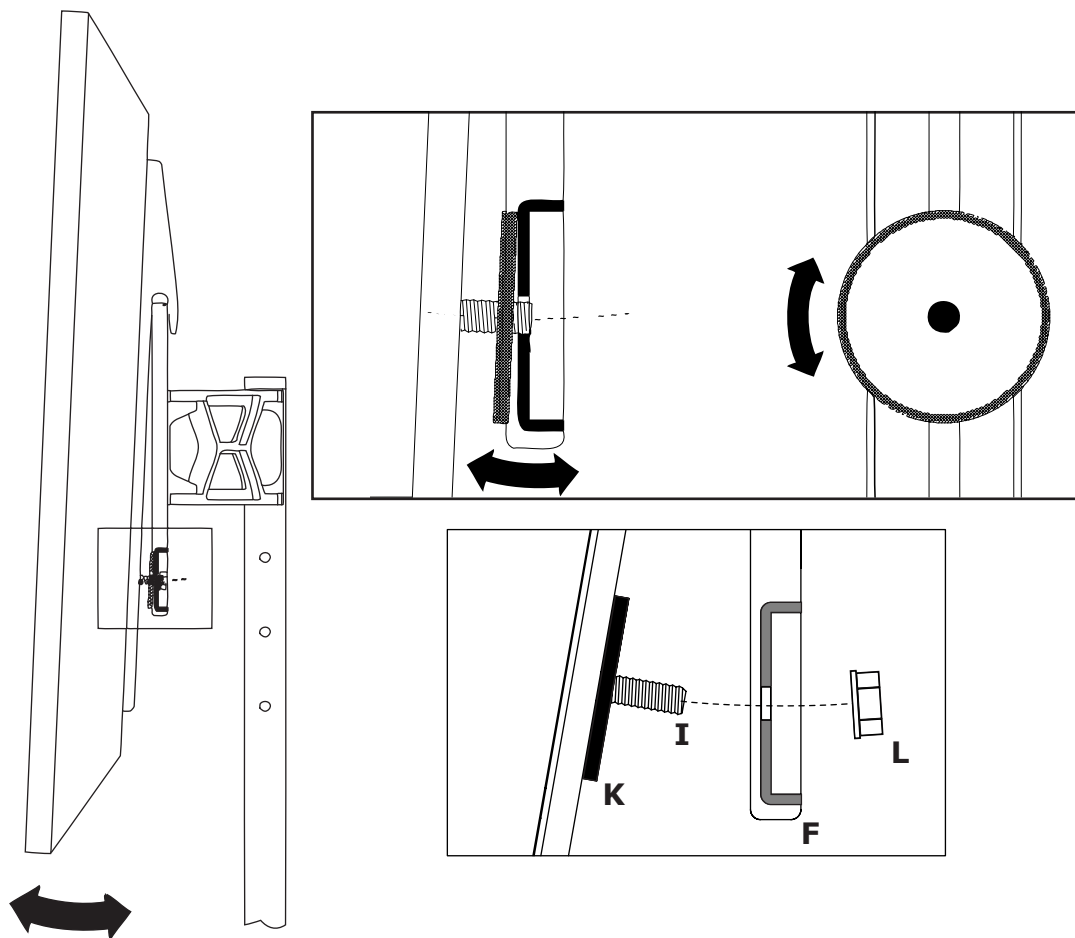


**Recommended
2-person Step
for safe
installation**



Step 7 (continue)

Level the TV using the **Leveling Discs (K)** near the slots in the lower **Horizontal Mounting Bracket (F)**. Then secure into place using provided **Jam Nut (L)** on exposed mounting stud until finger-tight.



Step 8

Use the open channel inside **Spine (C)** to organize and route cabling to and from the TV.

