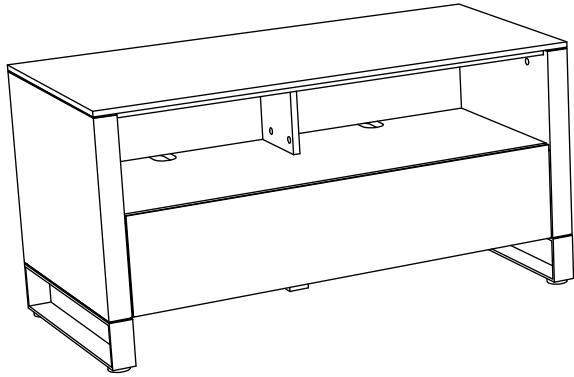
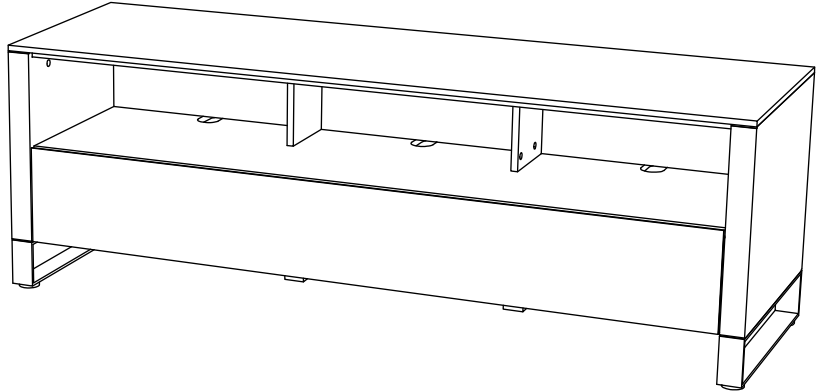


Placement and Maintenance

CASCADIA are designed for indoor use on level floors. Clean glass with glass cleaner, and shelf with a moist cloth.



CASCADIA 8254 Cabinet



CASCADIA 8257 Cabinet

Component List

CASCADIA are engineered for easy assembly. Carefully follow this procedure to prevent any damage. Unpack and identify the components. The assembly workspace should be a non-marring surface such as clean carpet. For missing hardware pieces, please contact BDI Customer Service at customerservice@bdiusa.com. For all other concerns, please contact your BDI Retailer.



A - Hex Wrench 4mm
x 1



B - 5/16-18 x 25mm
Screws 4mm Socket Drive
x 6



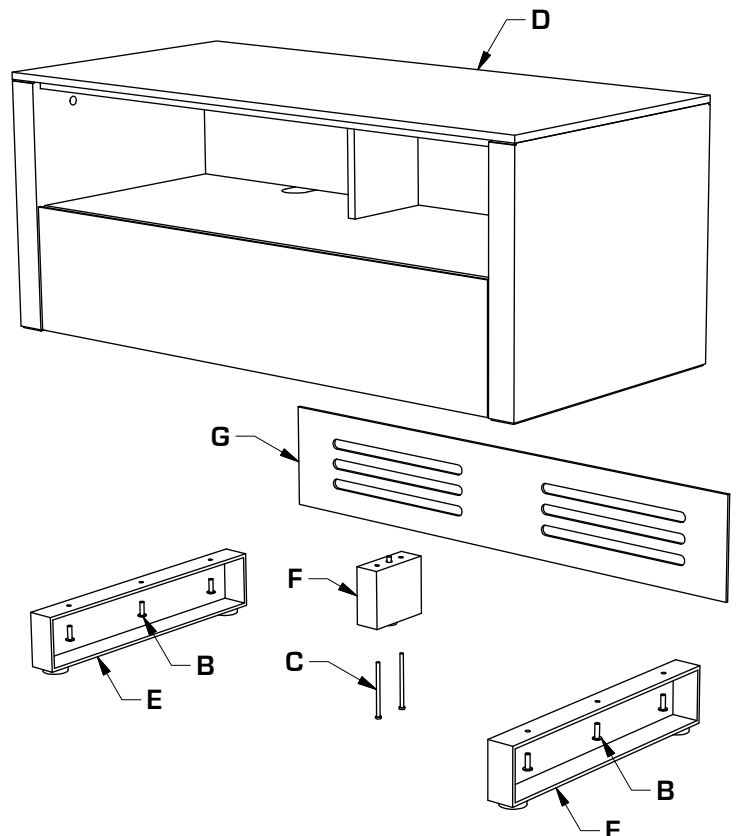
C - 1/4-20 x 100mm
Screws 4mm
Socket Drive
8254 x 2
8257 x 4

D - Cabinet Assembly x 1

E - Legs x 2

F - Center Block
8254 x 1
8257 x 2

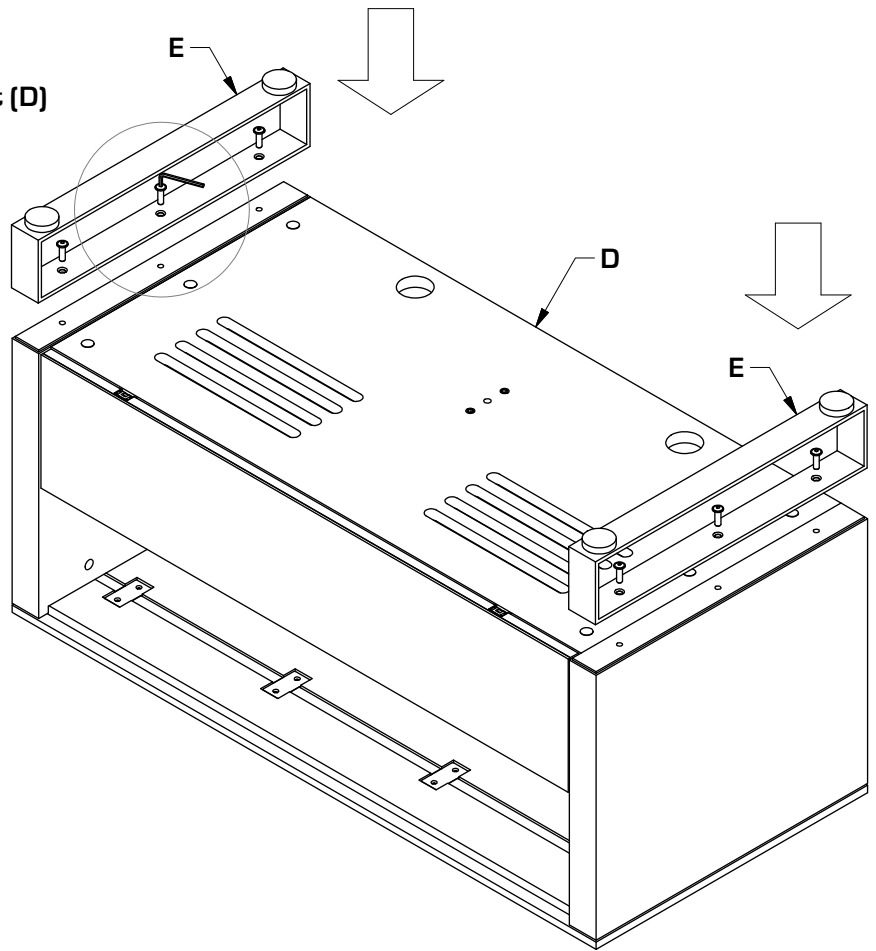
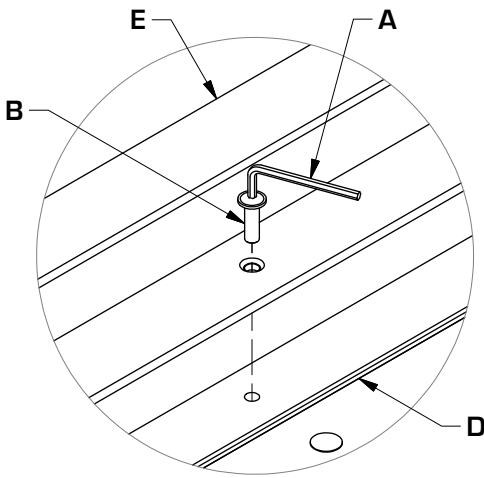
G - Back Panel
8254 x 1
8257 x 2



Step 1

Attach Legs to Cabinet

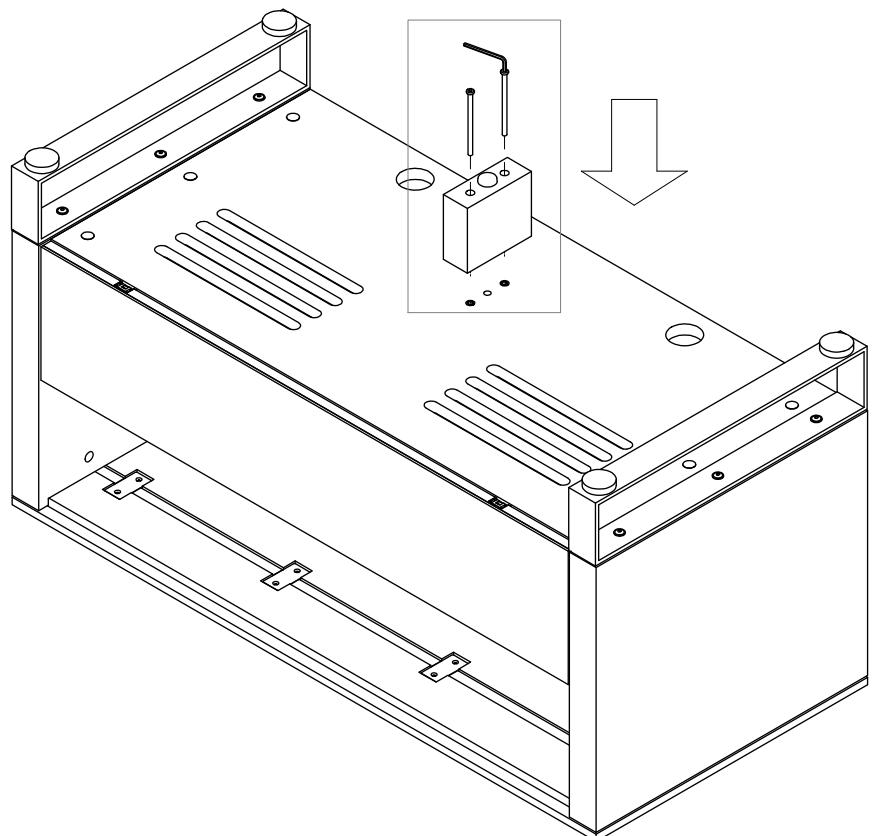
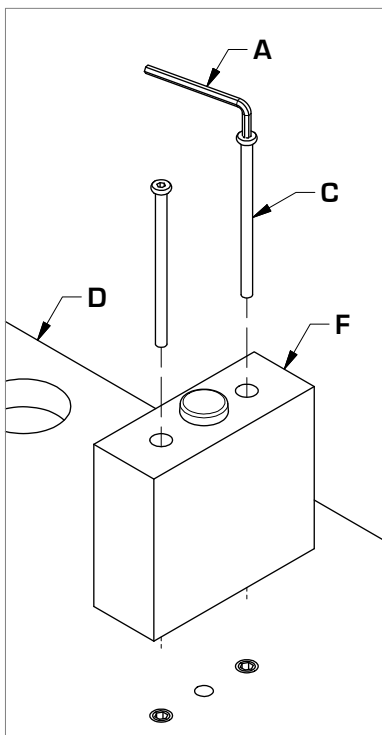
Place Cabinet upside down on clean carpet.
Using **Screws (B)** attach **Legs (E)** to **Cabinet (D)**
and tighten with **Hex Wrench (A)**.



Step 2

Attach Center Block to Cabinet

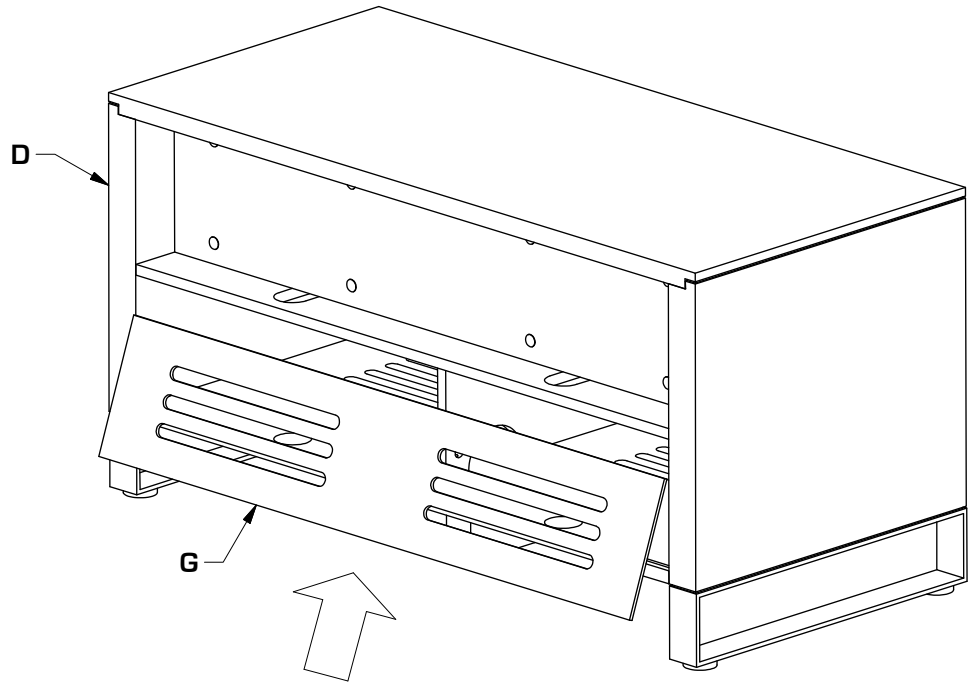
Using **Screws (C)** attach **Center Block (F)** to
Cabinet (D) bottom panel.



Step 3

Install Back Panel

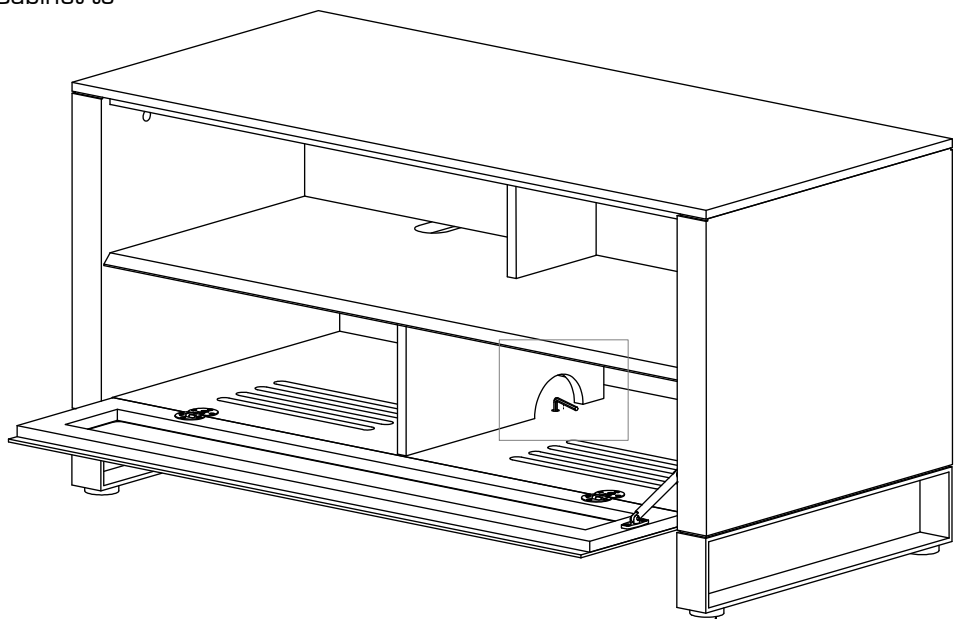
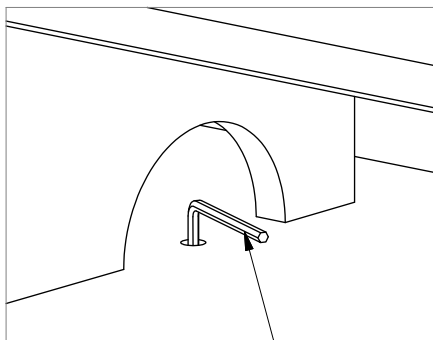
Insert top edge of **Back Panel (G)** into upper slot, then tilt bottom of panel in and lower panel into bottom slot.



Step 4

Adjust Levelers

Position Cabinet as desired then turn black puck levelers by hand to adjust as necessary. Use **Hex Wrench (A)** inside bottom of Cabinet to adjust center leveler as necessary.



Turn black puck leveler by hand to adjust as necessary.

Use **Hex Wrench (A)** inside bottom of Cabinet to adjust Leveler as necessary.