

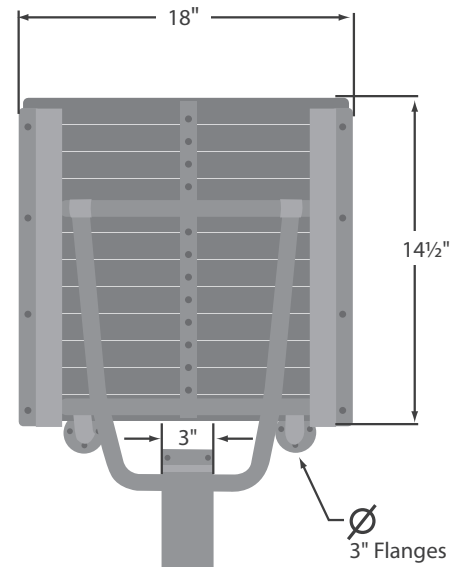
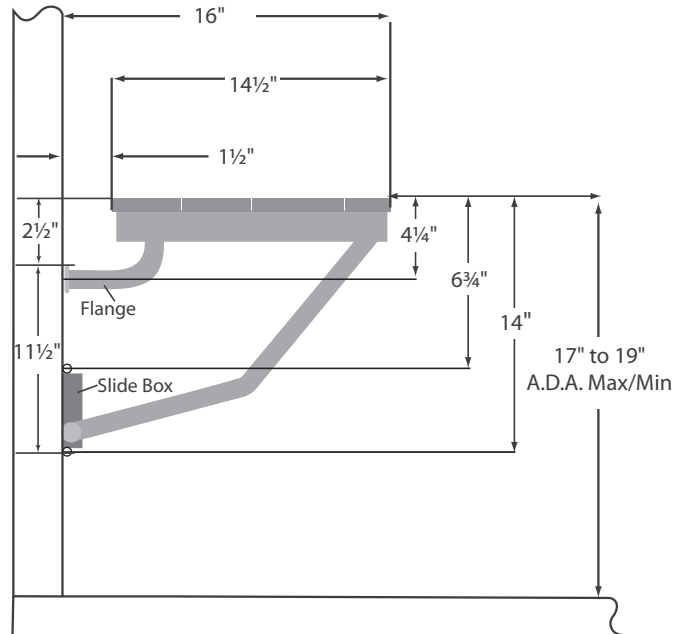
- Heavy Duty Type 304 Stainless Steel Wall Brackets, Supports and Frame
- Seat remains in raised position until you pull it down
- Low pressure spring action makes it easy to raise and lower the seat
- Rounded edges on seat battens for comfort and safety
- Seat battens are spaced to allow water to drain through

Dimensions:

- 18"L x 16"D (457.2 x 406.4mm)
Height Range: 17" to 19" (431.8 to 482.6mm)

Options:

- Natural or oiled finish
- Burmese Teak, Garapa, Plantation Teak, Cypress or White Cedar seat



**To Be Specified When Ordering:
Wood Species**



- Orientation** Left Right
Finish Natural Oiled Finish*

*Oiled Finish only applies to Burmese Teak & Plantation Teak

Installation & Load Bearing:

All shower seats must only be installed using suitable fasteners and sufficient in-wall backing materials. ADA mounting height for lowered seat is 17" (432mm) to 19" (482mm). When properly installed, all Teakworks4u shower seats have been designed and manufactured to support loads exceeding the downward pull requirements for Federal specifications FHA, VA, HUD, hospital codes, and private construction. The actual "in use" load bearing capacity of any shower seat, however, will be limited by the strength of its mounting surface and installation hardware. Teakworks4u recommends that shower seats be installed using 2" minimum thickness "in wall" solid wood blocking material with #10 x 2" stainless steel, phillips-head, sheet metal screws, or using a wall embedded, minimum 12 ga. (2.8mm) steel anchor plate with #10 x 24 stainless steel machine screws. Please contact Teakworks4u for additional mounting recommendations.

Under no circumstances should any shower seat be mounted to drywall, sheetrock, plaster, fiberglass, acrylic or other similar "hollow" wall surfaces without appropriate wood or steel backing material.

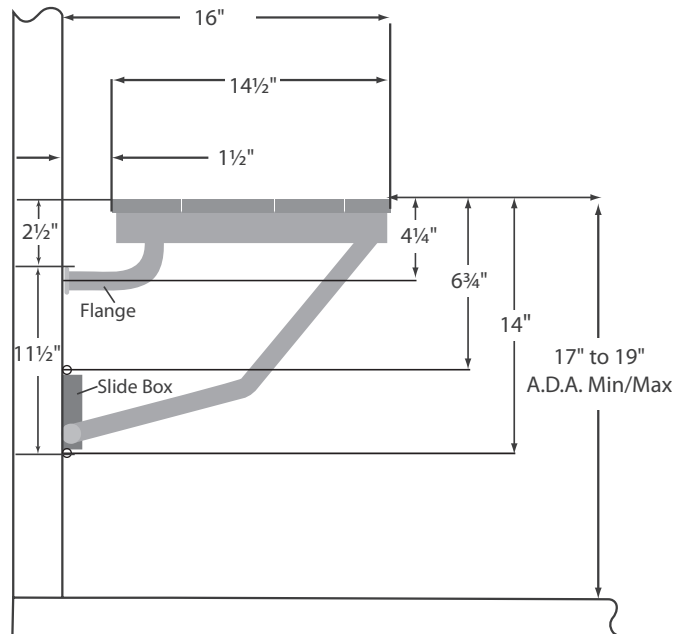
- Heavy Duty Type 304 Stainless Steel Wall Brackets, Supports and Frame
- Seat remains in raised position until you pull it down
- Low pressure spring action makes it easy to raise and lower the seat
- Rounded edges on seat battens for comfort and safety
- Seat battens are spaced to allow water to drain through

Dimensions:

- 32"L x 16"D (457.2 x 406.4mm)
- Height Range: 17" to 19" (431.8 to 482.6mm)

Options:

- Natural or oiled finish
- Burmese Teak, Garapa, Plantation Teak, Cypress or White Cedar seat



**To Be Specified When Ordering:
Wood Species**



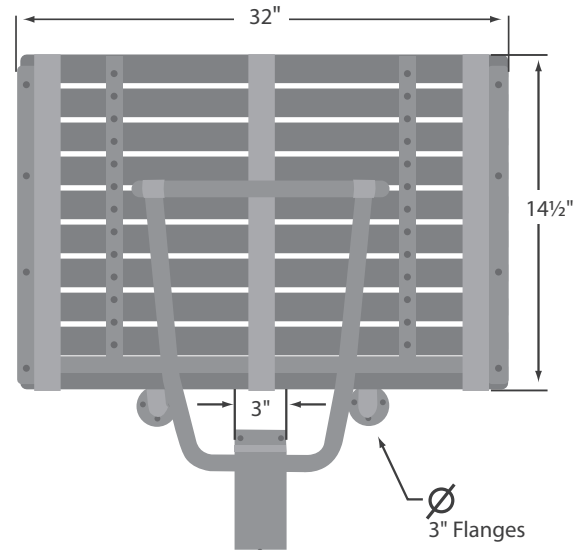
- Orientation** Left Right
Finish Natural Oiled Finish*

*Oiled Finish only applies to Burmese Teak & Plantation Teak

Installation & Load Bearing:

All shower seats must only be installed using suitable fasteners and sufficient in-wall backing materials. ADA mounting height for lowered seat is 17" (432mm) to 19" (482mm). When properly installed, all Teakworks4u shower seats have been designed and manufactured to support loads exceeding the downward pull requirements for Federal specifications FHA, VA, HUD, hospital codes, and private construction. The actual "in use" load bearing capacity of any shower seat, however, will be limited by the strength of its mounting surface and installation hardware. Teakworks4u recommends that shower seats be installed using 2" minimum thickness "in wall" solid wood blocking material with #10 x 2" stainless steel, phillips-head, sheet metal screws, or using a wall embedded, minimum 12 ga. (2.8mm) steel anchor plate with #10 x 24 stainless steel machine screws. Please contact Teakworks4u for additional mounting recommendations.

Under no circumstances should any shower seat be mounted to drywall, sheetrock, plaster, fiberglass, acrylic or other similar "hollow" wall surfaces without appropriate wood or steel backing material.



ADA Compliant Left and Right Hand Folding Transfer Bench

Order No. TBF-320225WL
TBF-320225WR

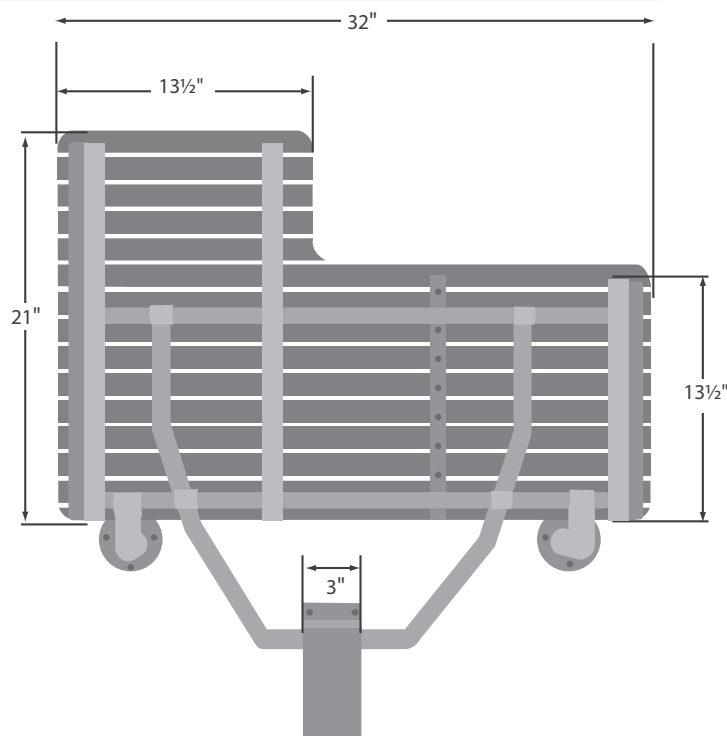
- Heavy Duty Type 304 Stainless Steel Wall Brackets, Supports and Frame
- Seat remains in raised position until you pull it down
- Low pressure spring action makes it easy to raise and lower the seat
- Rounded edges on seat battens for comfort and safety
- Seat battens are spaced to allow water to drain through

Dimensions:

- 32"W x 22½"D (812.8 x 571.5mm)
- Height Range: 17" to 19" (431.8 to 482.6mm)

Options:

- Left or right orientation
- Natural or oiled finish
- Burmese Teak, Garapa, Plantation Teak, Cypress or White Cedar seat



To Be Specified When Ordering: Wood Species



Burmese Teak Plantation Teak Garapa Cypress

- Orientation** Left Right
Finish Natural Oiled Finish*

*Oiled Finish only applies to Burmese Teak & Plantation Teak

Installation & Load Bearing:

All shower seats must only be installed using suitable fasteners and sufficient in-wall backing materials. ADA mounting height for lowered seat is 17" (432mm) to 19" (482mm). When properly installed, all shower seats have been designed and manufactured to support loads exceeding the downward pull requirements for Federal specifications FHA, VA, HUD, hospital codes, and private construction. The actual "in use" load bearing capacity of any shower seat, however, will be limited by the strength of its mounting surface and installation hardware. Teakworks4u recommends that shower seats be installed using 2" minimum thickness "in wall" solid wood blocking material with #10 x 2" stainless steel, phillips-head, sheet metal screws, or using a wall embedded, minimum 12 ga. (2.8mm) steel anchor plate with #10 x 24 stainless steel machine screws. Please contact Teakworks4u for additional mounting recommendations.

Under no circumstances should any shower seat be mounted to drywall, sheetrock, plaster, fiberglass, acrylic or other similar "hollow" wall surfaces without appropriate wood or steel backing material.



ADA Compliant Folding Transfer Bench with Legs

Order No. TBF2-180185W
TBF2-320225W

- Heavy Duty Type 304 18 gauge Stainless Steel Wall Brackets, Supports and Frame
- Seat remains in raised position until you pull it down
- Low pressure spring action makes it easy to raise and lower the seat
- Each leg is capped with a soft rubber Grip-Rite foot.
- Rounded edges on seat battens for comfort and safety
- Seat battens are spaced to allow water to drain through

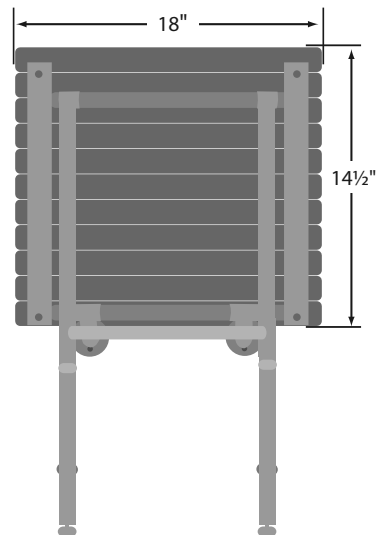


Dimensions:

- 18"L x 16"D (457.2 x 406.4mm)
- 32"L x 16"D (812.8 x 406.4mm)
- Height Range: 17" to 19" (431.8 to 482.6mm)

Options:

- Natural or oiled finish
- Burmese Teak, Garapa, Plantation Teak, Cypress or White Cedar

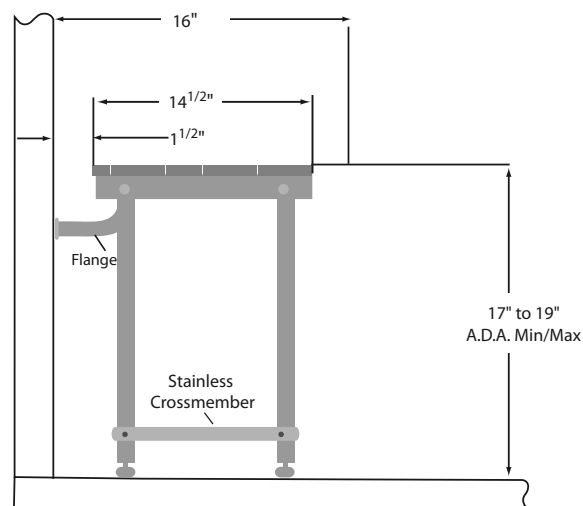


To Be Specified When Ordering: Wood Species



- Orientation** Left Right
- Finish** Natural Oiled Finish*

*Oiled Finish only applies to Burmese Teak & Plantation Teak



Installation & Load Bearing:

All shower seats must only be installed using suitable fasteners and sufficient in-wall backing materials. ADA mounting height for lowered seat is 17" (432mm) to 19" (482mm). When properly installed, all shower seats have been designed and manufactured to support loads exceeding the downward pull requirements for Federal specifications FHA, VA, HUD, hospital codes, and private construction. The actual "in use" load bearing capacity of any shower seat, however, will be limited by the strength of its mounting surface and installation hardware. Teakworks4u recommends that shower seats be installed using 2" minimum thickness "in wall" solid wood blocking material with #10 x 2" stainless steel, phillips-head, sheet metal screws, or using a wall embedded, minimum 12 ga. (2.8mm) steel anchor plate with #10 x 24 stainless steel machine screws. Please contact Teakworks4u for additional mounting recommendations.

Under no circumstances should any shower seat be mounted to drywall, sheetrock, plaster, fiberglass, acrylic or other similar "hollow" wall surfaces without appropriate wood or steel backing material.

ADA Compliant Folding Transfer Bench with Legs

Order No. TBF2-180185W
TBF2-320225W

- Heavy Duty Type 304 18 gauge Stainless Steel Wall Brackets, Supports and Frame
- Seat remains in raised position until you pull it down
- Low pressure spring action makes it easy to raise and lower the seat
- Each leg is capped with a soft rubber Grip-Rite foot.
- Rounded edges on seat battens for comfort and safety
- Seat battens are spaced to allow water to drain through

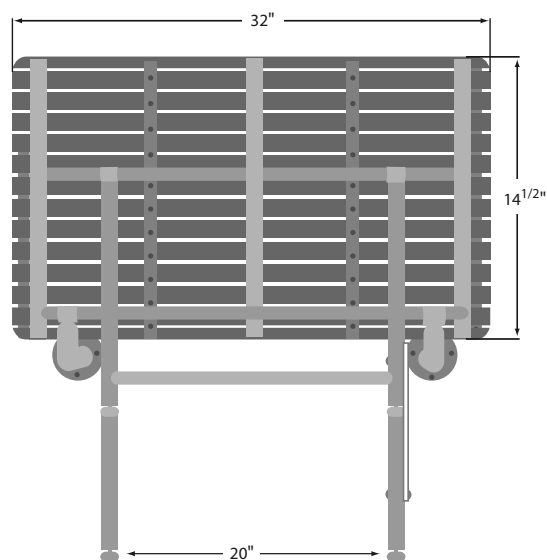


Dimensions:

- 18"L x 18½"D (457.2 x 469.9mm)
- 32"L x 22½"D (812.8 x 571.5mm)
- Height Range: 17" to 19" (431.8 to 482.6mm)

Options:

- Natural or oiled finish
- Burmese Teak, Garapa, Plantation Teak, Cypress or White Cedar



To Be Specified When Ordering: Wood Species



Burmese Teak Plantation Teak Garapa Cypress

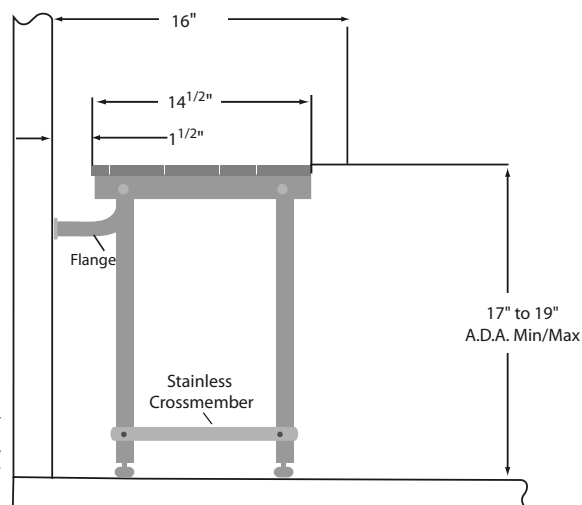
- Orientation** Left Right
Finish Natural Oiled Finish*

*Oiled Finish only applies to Burmese Teak & Plantation Teak

Installation & Load Bearing:

All shower seats must only be installed using suitable fasteners and sufficient in-wall backing materials. ADA mounting height for lowered seat is 17" (432mm) to 19" (482mm). When properly installed, all shower seats have been designed and manufactured to support loads exceeding the downward pull requirements for Federal specifications FHA, VA, HUD, hospital codes, and private construction. The actual "in use" load bearing capacity of any shower seat, however, will be limited by the strength of its mounting surface and installation hardware. Teakworks4u recommends that shower seats be installed using 2" minimum thickness "in wall" solid wood blocking material with #10 x 2" stainless steel, phillips-head, sheet metal screws, or using a wall embedded, minimum 12 ga. (2.8mm) steel anchor plate with #10 x 24 stainless steel machine screws. Please contact Teakworks4u for additional mounting recommendations.

Under no circumstances should any shower seat be mounted to drywall, sheetrock, plaster, fiberglass, acrylic or other similar "hollow" wall surfaces without appropriate wood or steel backing material.



Left & Right Hand ADA Compliant Folding Transfer Bench with Legs

Order No. TBF2-320225WL, TBF2-320225WR

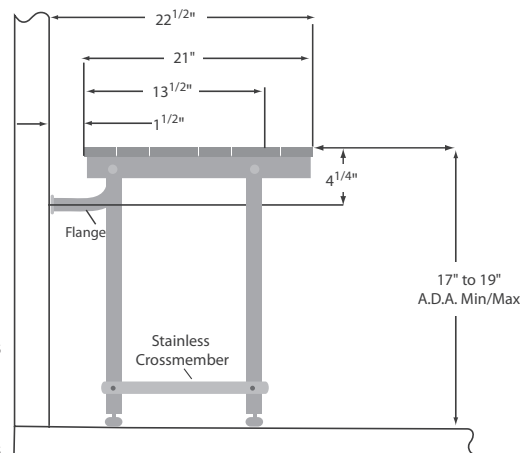
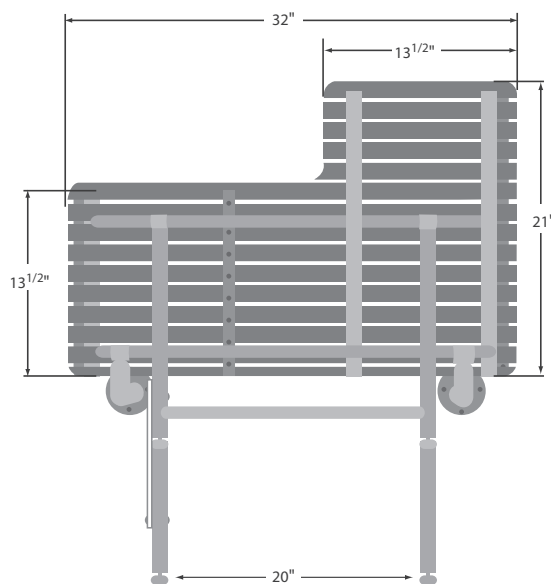
- Heavy Duty Type 304 18 gauge Stainless Steel Wall Brackets, Supports and Frame
- Seat remains in raised position until you pull it down
- Low pressure spring action makes it easy to raise and lower the seat
- Each leg is capped with a soft rubber Grip-Rite foot.
- Rounded edges on seat battens for comfort and safety
- Seat battens are spaced to allow water to drain through

Dimensions:

- 32"L x 22½"D (812.8 x 571.5mm)
Height Range: 17" to 19" (431.8 to 482.6mm)

Options:

- Left or Right Orientation
- Natural or Oiled Finish
- Burmese Teak, Garapa, Plantation Teak, Cypress or White Cedar



To Be Specified When Ordering: Wood Species



Burmese Teak Plantation Teak Garapa Cypress

Orientation Left Right

Finish Natural Oiled Finish*

*Oiled Finish only applies to Burmese Teak & Plantation Teak

Installation & Load Bearing:

All shower seats must only be installed using suitable fasteners and sufficient in-wall backing materials. ADA mounting height for lowered seat is 17" (432mm) to 19" (482mm). When properly installed, all Teakworks4u shower seats have been designed and manufactured to support loads exceeding the downward pull requirements for Federal specifications FHA, VA, HUD, hospital codes, and private construction. The actual "in use" load bearing capacity of any shower seat, however, will be limited by the strength of its mounting surface and installation hardware. Teakworks4u recommends that shower seats be installed using 2" minimum thickness "in wall" solid wood blocking material with #10 x 2" stainless steel, phillips-head, sheet metal screws, or using a wall embedded, minimum 12 ga. (2.8mm) steel anchor plate with #10 x 24 stainless steel machine screws. Please contact Teakworks4u for additional mounting recommendations.

Under no circumstances should any shower seat be mounted to drywall, sheetrock, plaster, fiberglass, acrylic or other similar "hollow" wall surfaces without appropriate wood or steel backing material.

Due to limitations in the printing process, actual colors may vary.

REV0610

Left & Right Hand ADA Compliant Folding Transfer Bench with Legs

Order No. TBF2-320225WL, TBF2-320225WR

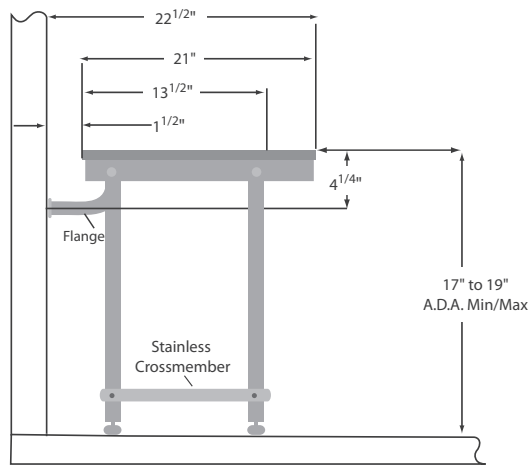
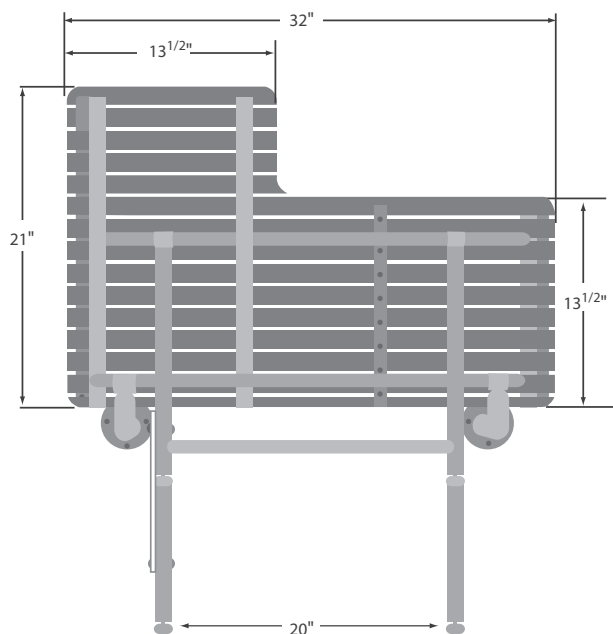
- Heavy Duty Type 304 18 gauge Stainless Steel Wall Brackets, Supports and Frame
- Seat remains in raised position until you pull it down
- Low pressure spring action makes it easy to raise and lower the seat
- Each leg is capped with a soft rubber Grip-Rite foot.
- Rounded edges on seat battens for comfort and safety
- Seat battens are spaced to allow water to drain through

Dimensions:

- 32"L x 22½"D (812.8 x 571.5mm)
Height Range: 17" to 19" (431.8 to 482.6mm)

Options:

- Left or Right Orientation
- Natural or Oiled Finish
- Burmese Teak, Garapa, Plantation Teak, Cypress or White Cedar



To Be Specified When Ordering: Wood Species



Burmese Teak Plantation Teak Garapa Cypress

Orientation Left Right

Finish Natural Oiled Finish*

*Oiled Finish only applies to Burmese Teak & Plantation Teak

Installation & Load Bearing:

All shower seats must only be installed using suitable fasteners and sufficient in-wall backing materials. ADA mounting height for lowered seat is 17" (432mm) to 19" (482mm). When properly installed, all Teakworks4u shower seats have been designed and manufactured to support loads exceeding the downward pull requirements for Federal specifications FHA, VA, HUD, hospital codes, and private construction. The actual "in use" load bearing capacity of any shower seat, however, will be limited by the strength of its mounting surface and installation hardware. Teakworks4u recommends that shower seats be installed using 2" minimum thickness "in wall" solid wood blocking material with #10 x 2" stainless steel, phillips-head, sheet metal screws, or using a wall embedded, minimum 12 ga. (2.8mm) steel anchor plate with #10 x 24 stainless steel machine screws. Please contact Teakworks4u for additional mounting recommendations.

Under no circumstances should any shower seat be mounted to drywall, sheetrock, plaster, fiberglass, acrylic or other similar "hollow" wall surfaces without appropriate wood or steel backing material.

Due to limitations in the printing process, actual colors may vary.

REV0610

- Adjustable clamps slip over the edge of the tub
- Non-slip legs sit securely within the tub
- Heavy Duty Type 304 18 gauge Stainless Steel Brackets, Supports and Frame
- Low pressure spring action makes it easy to raise and lower the seat
- Rounded edges on seat battens for comfort and safety
- Seat battens are spaced to allow water to drain through

Dimensions:

- 26.5"L x 16"D (673.1 x 406.4mm)
Height Range: 13" to 14.25" (330.2 to 361.95mm)

Options:

- Natural or oiled finish
- Burmese Teak, Garapa, Plantation Teak, Cypress or White Cedar seat



**To Be Specified When Ordering:
Wood Species**



- Orientation** Left Right
Finish Natural Oiled Finish*

*Oiled Finish only applies to Burmese Teak & Plantation Teak