

**OWNER'S
MANUAL**

**MODEL NO.
T814**

SERVICE

**READ
INSTRUCTIONS
CAREFULLY!**

TABLE TENNIS CONVERSION TOP FOR POOL TABLES

Net and brackets shipped
with special order tables only.



CAUTION!

**NOT FOR USE WITH POOL TABLES LESS THAN
80 INCHES LONG OR 44 INCHES WIDE!**

Thank you for buying our product. We try hard to insure that our products are of high quality and free of problems, such as manufacturing defects or missing parts. However, if you have any problems with your new product, please call us at:

**TOLL FREE 1-800-426-1421
(THIS IS A CONSUMER ONLY NUMBER)
or in Indiana 1-800-637-4654
FAX: 812-476-1399**

Or write us at:

CUSTOMER SERVICE DEPT., P.O. Box 889, Evansville, IN 47706

Please provide model number, serial number, and/or part number of the product and/or part when you call or write. These numbers can be found on the product, packaging, and/or in this Owner's Manual.

- **INSTALLATION**
- **REPAIR PARTS**

You will need a measuring tape, a pencil,
and masking tape to install.



WARNING:

DO NOT SIT, STAND OR LEAN HEAVILY ON TOPS! THIS UNIT IS DESIGNED TO BE LARGER THAN POOL TABLE TOP. THEREFORE, PORTIONS OF THIS UNIT WILL NOT BE SUPPORTED AT THE OUTER EDGES. DO NOT USE THIS UNIT ON POOL TABLES LESS THAN 80 INCHES LONG OR 44 INCHES WIDE!

BOTTOM SIDE OF HALF TOPS #1 SHOWN

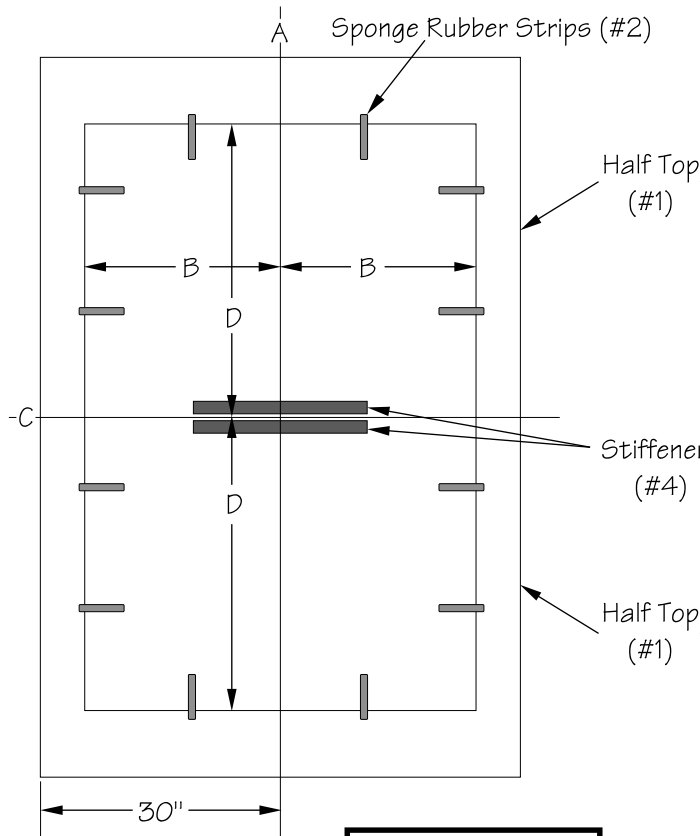


FIGURE 1

TOP SIDE OF HALF TOPS #1 SHOWN WITH POOL TABLE UNDERNEATH.

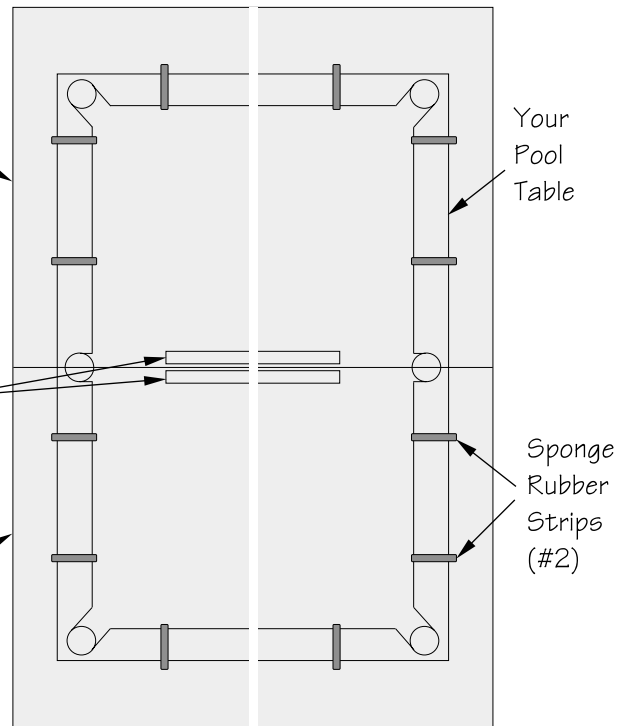


FIGURE 2

INSTALLATION

- Remove table tennis conversion half tops #1 from carton and place them upside down on the carton or carpeted floor. Put ends with stiffeners #4 together (See Figures 1 & 2).
- Determine the placement of sponge rubber strips #2 on the bottom of half tops #1 as follows (Use Figure 1):
 - Mark center line (A) along the length of conversion top. Top is 60 inches wide. Center line (A) is 30 inches in from either side.
 - Measure the width of your pool table.
 - Divide the width of your pool table in half and mark the bottom of the conversion top this amount (B). Measure from center line (A) out toward both sides. These mark the sides of your pool table.
 - Measure the length of your pool table.
 - Divide length of pool table in half and mark the bottom of the conversion top this amount (D). Measure from center line (C) (where two half tops #1 touch) out towards both ends. These mark the ends of your pool table.
 - Temporarily tape sponge rubber strips #2 to bottom surface of conversion top. Space them evenly apart as shown above. (Do not peel backing off strips yet. First check for correct placement. See next step.)
- Set one half top #1 on your pool table to check for correct placement of sponge rubber strips #2.
 - If correctly placed, remove top from pool table, peel backing from sponge rubber strips #2 and apply firmly to back of conversion top. Repeat on other half top #1. Place both half tops on pool table.
 - If incorrectly placed, mark the correct position on bottom of the conversion top, remove top from pool table, and apply strips. Repeat on other half. Set both half tops on pool table.
- Install net brackets and net (not furnished with this table).

MAINTENANCE

- We do not recommend the use of wax on this top. Wax tends to make the top excessively shiny.
- To clean, use a warm, damp cloth and **WIPE GENTLY! DO NOT WIPE EXCESSIVELY! DO NOT USE DETERGENTS OR EXCESSIVE AMOUNTS OF WATER!**
- NOTE:** Changing weather conditions may cause a slight warpage in the playing surface of the table. This will not affect playing conditions. Playing surface will return to its original condition as the weather stabilizes.

STORAGE

This table should be stored indoors.

LIMITED WARRANTY

For ninety days from the date of purchase, manufacturer will repair this table tennis table free of charge, if defective in material or workmanship. Warranty service is available by simply contacting our Customer Service Department. This warranty gives you specific legal rights, and you may also have other rights which vary from state to state.

Replacement Parts List

Item #	Part#	Description	Qty.
1	4A-6536-00	Half Top	2
2	BZ-412	Sponge Rubber Strip	12
3	2L-6623-00	This Owner's Manual	1
4	2S-6259-00	Stiffener	2