

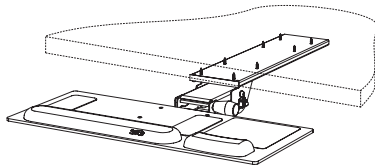
ASSEMBLY INSTRUCTIONS

For questions or concerns, please call
Safco Consumer Hot Line 1-800-664-0042
 available Monday-Friday 8:00 AM to 4:30 PM (Central Time)
 (English-speaking operators)

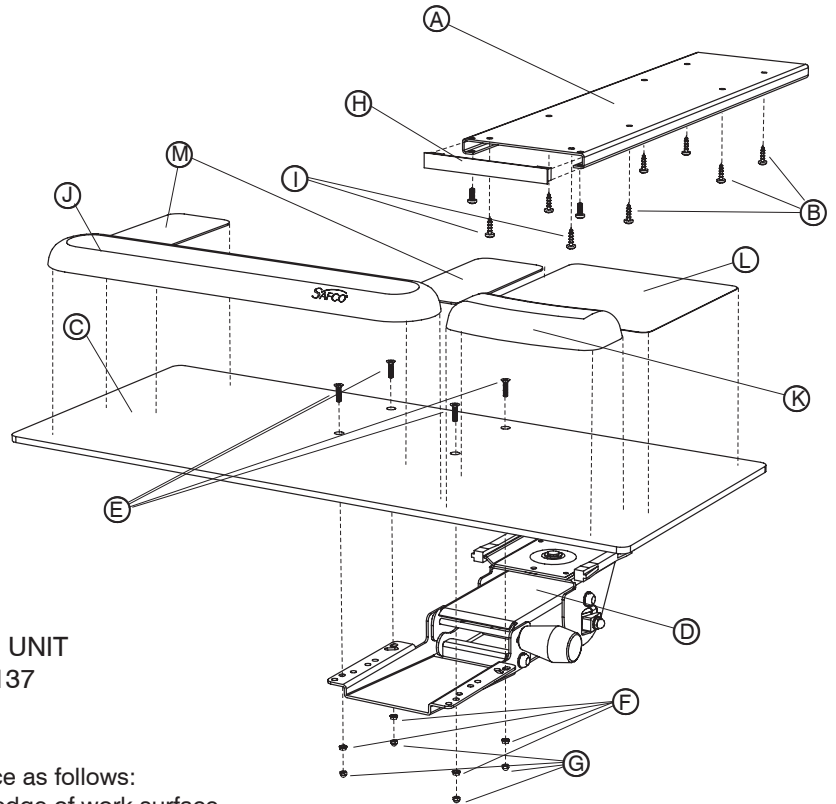
Sort and count your parts!

PARTS LIST			
LETTER CODE	DESCRIPTION	QTY.	PART NO.
(A)	Track	1	2136-06
(B)	5/8" Tapping Screw	8	2136-23
(C)	Keyboard Tray	1	2137-01
(D)	Arm Mechanism	1	2136-05
(E)	Flat Head Machine Screw	4	2137-28
(F)	Lock Nut	4	2137-24
(G)	Acorn Nut	4	2137-23
(H)	Endcap	1	2136-12
(I)	1/2" Threadcutting Screw	2	2136-24
(J)	Keyboard Wrist Rest	1	2136-10
(K)	Mouse Wrist Rest	1	2137-11
(L)	Clear Mousing Surface	1	2137-14
(M)	Keyboard Pad	2	2136-13

**TOOLS REQUIRED: Phillips Screwdriver;
 Drill with 1/8" Bit**



ASSEMBLED UNIT
 MODEL 2137



- 1** Mount the (A) Track to the underside of work surface as follows:
 - a) Make sure Track is mounted square to front edge of work surface.
 - b) Front edge of Track should be approximately 1/2" back from front of work surface.
 - c) Drill 1/8" pilot holes about 5/8" deep at each of the Track holes, taking care NOT to drill through to the other side of the work surface.
 - d) Install eight (B) 5/8" Tapping Screws along both sides of Track (four per side), and tighten enough to remove slight bow from Track.
- 2** Mount the (C) Keyboard Tray to the (D) Arm Mechanism with four (E) Flat Head Machine Screws, and fasten with four (F) Lock Nuts and four (G) Acorn Nuts.
- 3** Loosen the knob on the Arm Mechanism, and lower the Mechanism to its "down" position. Retighten the knob.
- 4** Slide the Mechanism into the grooves of the Track until the Mechanism hits the backstop.
- 5** Fasten the (H) Endcap into place with two (I) 1/2" Threadcutting Screws, going through the Track and into the Endcap.
- 6** Temporarily arrange the (J) Keyboard Wrist Rest, your keyboard, the (K) Mouse Wrist Rest, and the (L) Clear Mousing Surface into place on the Keyboard Tray. Note that the Keyboard Wrist Rest has a slight slant, and the Mouse Wrist Rest has a slight curve; arrange these for your own comfort. Slide the two (M) Keyboard Pads under the ends of your keyboard until they properly support it; mark these positions and remove the keyboard. Peel off the protective paper backing on the backs of the two Wrist Rests and the Keyboard Pads and press them into place.
- 7** If desired, remove the protective paper from the adhesive spots on the (L) Clear Mousing Surface; mount it onto the Keyboard Tray (slide your favorite photo under it).
- 8** Adjust the Mechanism as follows:
 - a) Lift the Keyboard Tray slightly to push in or pull out.
 - b) Lift and press down or pull up to adjust the height; release to lock in place.
 - c) Loosen the tilt knob on the right side of the Mechanism, position the Keyboard Tray at the desired angle, and retighten the knob.
 - d) The Mechanism will also swivel to the left or right with a moderate push to the side.