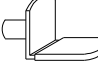
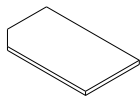


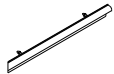


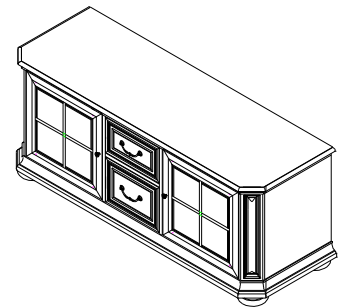


Components and Hardware List

<p>Shelf Pin</p>  <p>(A) 8 pcs.</p>	<p>Wood Shelf</p>  <p>(B) 2 pcs.</p>	<p>Leg W/Leveler</p>  <p>(C) 4 pcs.</p>	<p>Middle Leg W/Leveler</p>  <p>(D) 2 pcs.</p>
<p>Top End Molding (Left & Right)</p>  <p>(E) 1 Set</p>	<p>Base End Rail (Left & Right)</p>  <p>(F) 1 Set</p>	<p>Tipping Restraint</p>  <p>(G) 1 pc.</p>	



4943 63 Inch TV Console

Step 1: Place the Console on it's back on a clean, soft surface such as a blanket or carpet. Assemble the four Bun Feet (C) and Middle Leg (D) onto the bottom. Set the unit upright.

Levelers are installed in the bottom of the Bun Feet and can be adjusted to compensate for uneven flooring if necessary.

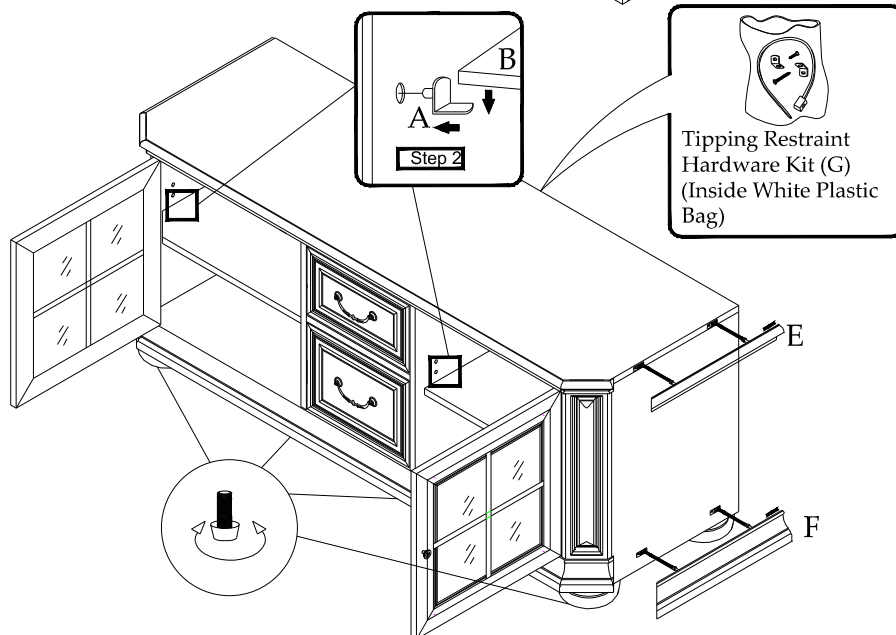
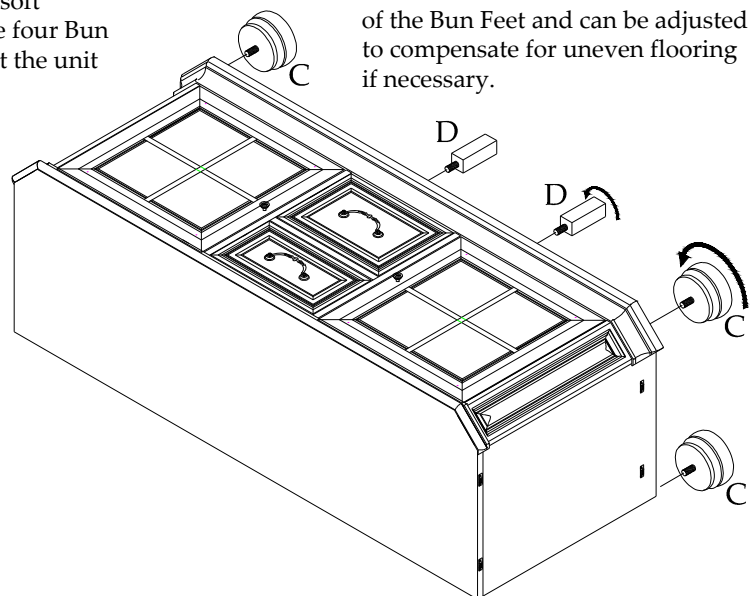
Note: Step #2 below (installing shelves) should only be performed as one of the final steps for setting up the entire wall system, once all cabinets have been moved to their final locations and connected together.

Step 2: Open the door, insert Shelf pins (A) into holes in side panels at the desired locations, then place Wood Shelf (B) on the Shelf pins.

If certain pieces of furniture are misused or abused, the possibility exists that they might tip over. Tip-over restraints, installed correctly, can help to reduce that risk. Please refer to the instructions printed on the furniture restraint package for proper installation instructions.

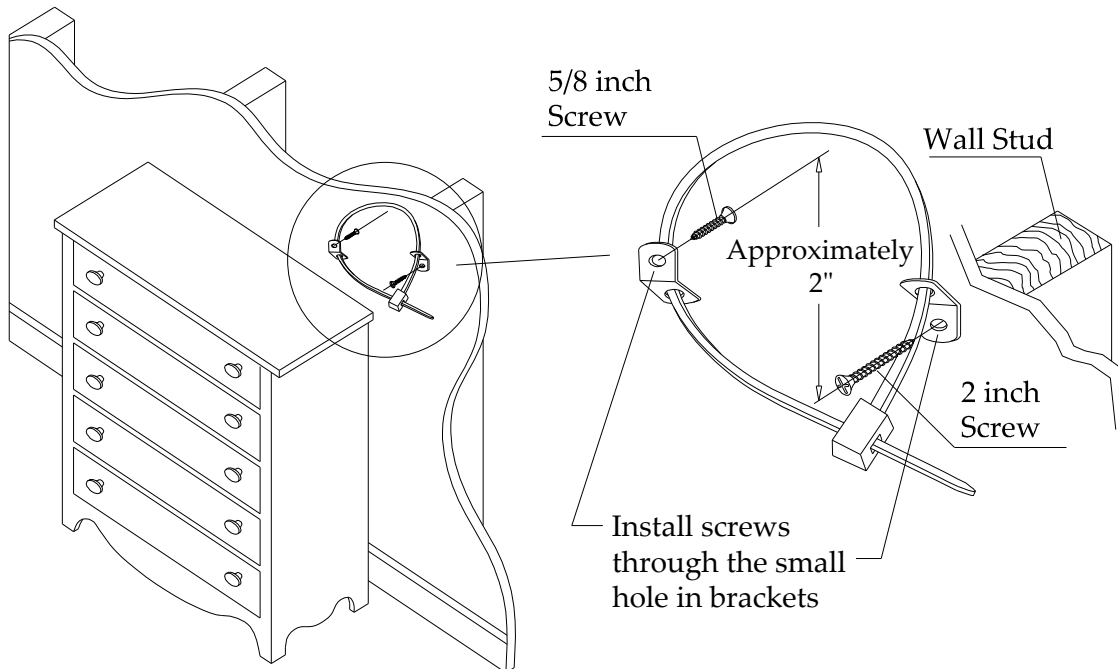
Note: If the Console will be used with the Left and Right Hand Pier Cabinets, remove the Left/Right Top and Base Moldings, as shown.

To remove moldings, slide moldings towards rear of cabinet and pull away from side. It is recommended that the moldings be stored with the unit so they can be reattached if need be. One suggestion is to store the moldings inside or possibly underneath the unit.



Anti-Tip Hardware Installation Instructions

Notice: In homes where small children may be present, Riverside Furniture Corp. recommends that steps be taken for certain furniture items to prevent or minimize the risk of tip-over. This furniture is equipped with Tip-over Restraint Hardware for use to minimize this risk, if used. Please follow below installation steps. Riverside Furniture Corp. recommends that parents and guardians periodically visit the U.S. Consumer Product Safety Commission (CPSC) website at <http://www.cpsc.gov/> and stay up to date on all issues related to children's product safety.

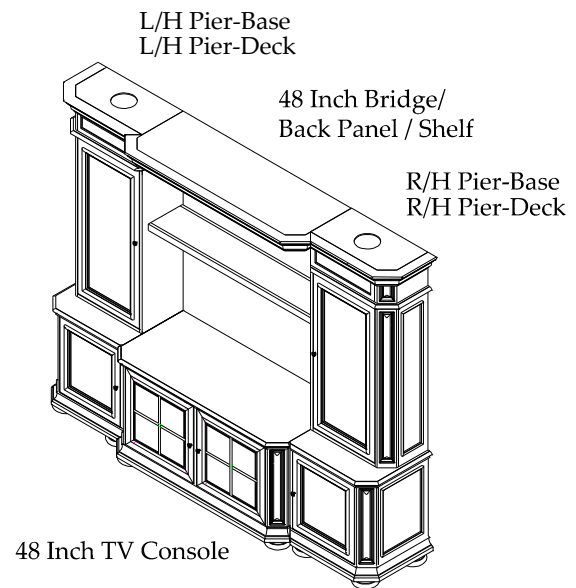
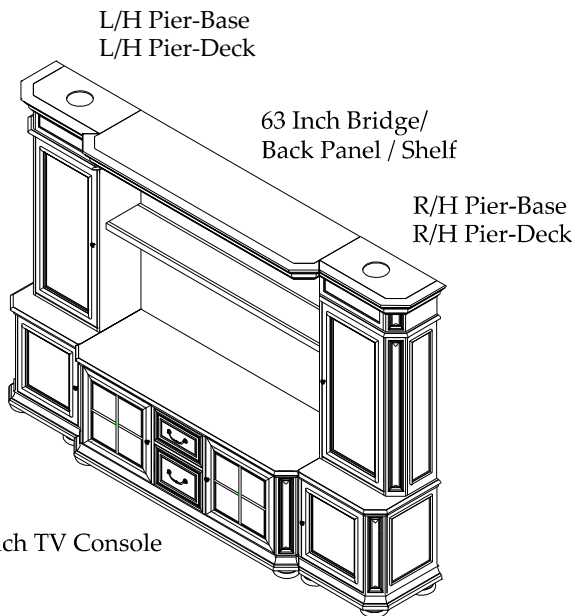


1. Temporarily locate the furniture to near it's final location in the room next to a wall. Locate a wall stud behind your furniture and also mark the stud's location on the back of your furniture.
2. Firmly attach one bracket to the stud approximately 2" below the top of the furniture with the **2 inch long** Wood Screws provided. It may be necessary to drill 3/32 dia. pilot holes for the screws.
3. Firmly attach the other bracket onto a solid, structural part on the back of the furniture using the **5/8 inch long** Wood Screws. It may also be necessary to pilot bore for these screws.
4. Move the furniture into its final position, taking care to line up the wall bracket with the furniture bracket. Thread a strap through the bracket as shown in the illustration. Tighten strap until snug but do not over tighten.

Caution: Riverside Furniture Corp. assumes no liability for improper installation or excessive loads placed on screws, brackets or straps. Failure to detach this restraint before moving furniture may result in personal injury and property damage.

Warning: This tip-over restraint is not to be a substitute for proper adult supervision. Do not allow children to climb on furniture. Items left on top of the TV and furniture, such as toys, remote controls and treats might tempt young children to climb. Push the TV as far back as possible from the front of its stand. Place electrical cords out of a child's reach, and teach children not to play with the cords.

Product No.	Specie	Product Description
4945	Cherry	L/H Pier-Base
4946	Cherry	L/H Pier-Deck
4947	Cherry	R/H Pier-Base
4948	Cherry	R/H Pier-Deck
4940	Cherry	48 Inch TV Console
4941	Cherry	48 Inch Bridge/Back Panel/Shelf
4943	Cherry	63 Inch TV Console
4944	Cherry	63 Inch Bridge/Back Panel/Shelf



General Assembly Instructions

Step A: If anti-tipping hardware will be used, temporarily move Piers to near their final location in the room, allowing appropriate space between Piers for the Bridge. Determine the proper mounting location and install the anti-tip hardware to the top back of the units and onto the wall. Do not install the connecting strap until the last step.

Step B: Install hardware to the back of the Piers that is used to attach the back panels.

Step C: Position left and right Piers in approximate final location, allowing appropriate space between Piers for the TV Console and Bridge.

Step D: Install Bridge between top of Piers but do not fully tighten connecting bolts.

Step E: Install Back Panels.

Step F: Move TV Console into position between Piers, taking care not to bump or scratch units.

Step G: Gently move Piers against TV Console and install Connecting Bolts, if applicable. Tighten bolts connecting Bridge to the top of the Pier Cabinets.

Step H: Install the Shelf between the Piers.

Step I: Install the Connecting Strap for the Anti-Tipping Restraints.