






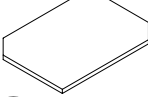
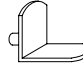
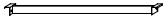
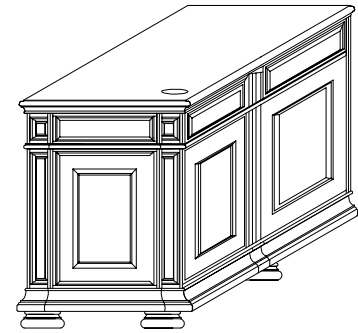


Components and Hardware List

Grommet  (A) 3 pcs.	Flat Washer  (B) 10 pcs.	Lock Washer  (C) 10 pcs.	Allen Head Bolt 1/4" x 1-1/2"  (D) 10 pcs.	4 mm Allen Wrench  (E) 1 pc.
Key  (F) 1 Set.	Bun Foot W/ Leveler  (G) 11 pcs.	Wood Shelf  (H) 1 pc.	Shelf Pin  (I) 4 pcs.	File rod  (J) 2 pcs.



44728 L Return Desk

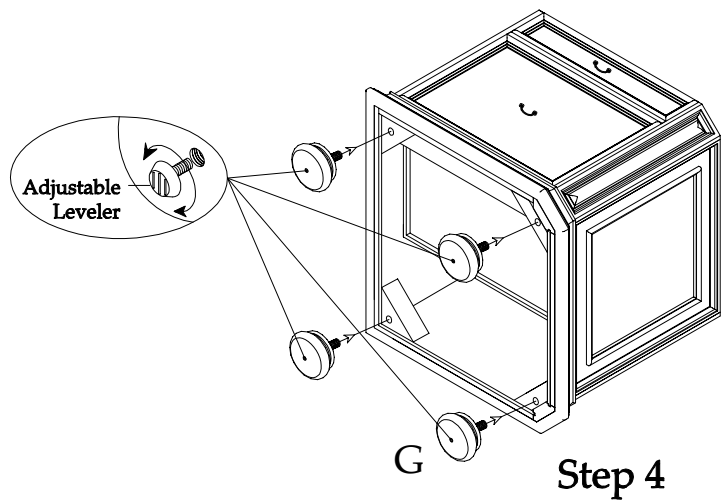
Be sure to check all packing material carefully for small parts, which may have come loose inside the carton during shipment.

Step 1: Place the return desk on a clean, soft surface such as a blanket or carpet. Assemble the four Bun Feet (G) onto the Bottom. Carefully set it upright.

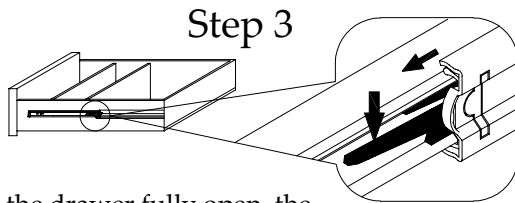
Step 1

Step 2: Assemble the Back Panel to the Return Desk, using Allen-Head Bolts (D) Spring Washers (C) and Flat Washers (B). Tighten the Allen Bolts using the Allen Wrench (E).
Step 3: Remove the middle drawer from the drawer Pedestal (see below).

Step 4: Assemble the Top Panel to the Return Desk, using Allen-Head Bolts (D) Spring Washers (C) and Flat Washers (B). Tighten the Allen Bolts using the Allen Wrench (E).



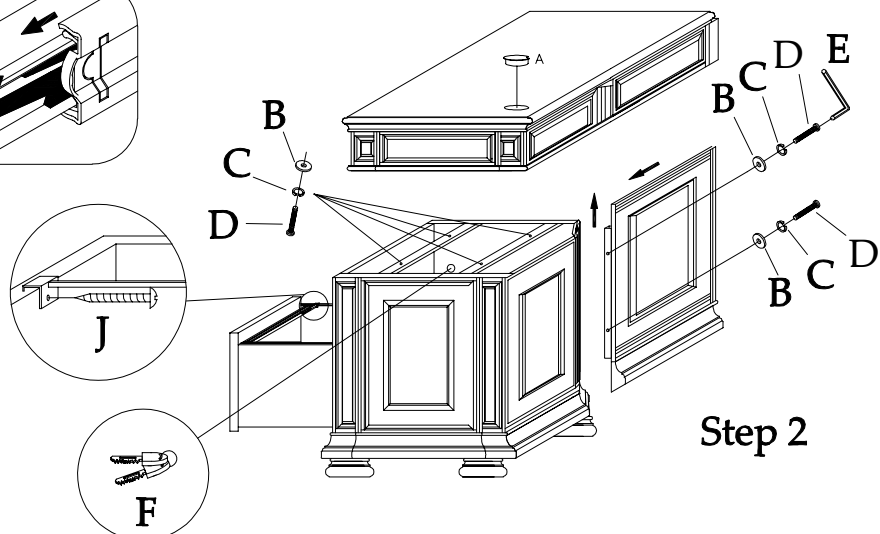
Step 4



Step 3

With the drawer fully open, the drawer slides must be released by pressing the black lever located in the slide either up or down, depending on which slide is being released. With both levers pressed, gently pull the drawer until the slides release.

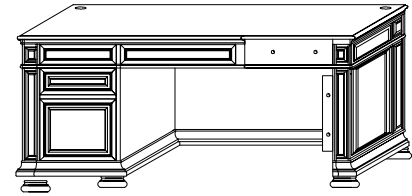
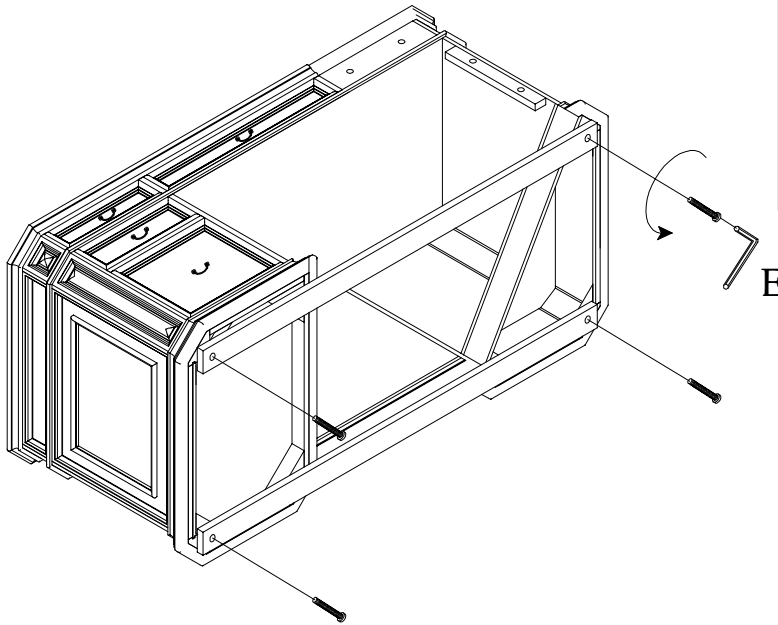
Carefully reinstall the drawers by aligning the channels of the drawer slides and gently pushing the drawers back into the cabinet.



Step 2

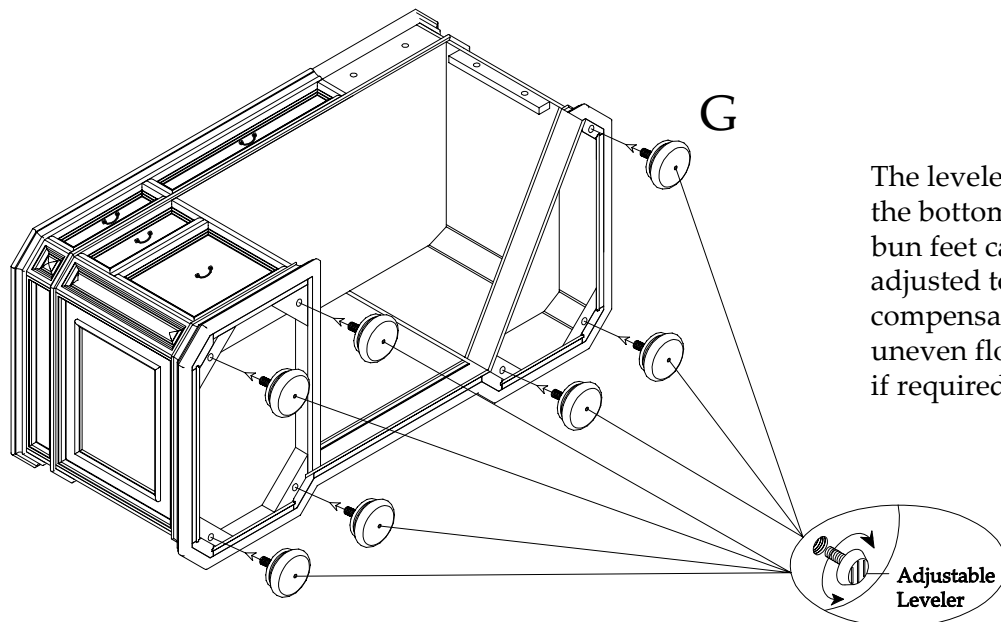
Components and Hardware List

Step 5: Place the L Desk on a clean, soft surface such as a blanket or carpet. Remove and discard the shipping rails attached to the bottom of the Desk.



44728 L Return Desk

Step 6: Assemble the seven Bun feet onto the Bottom. Carefully set the Desk back upright.

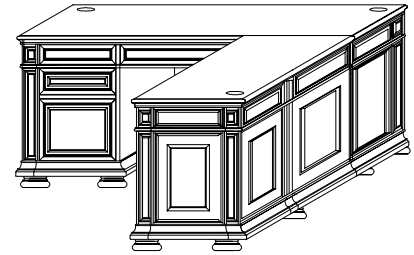
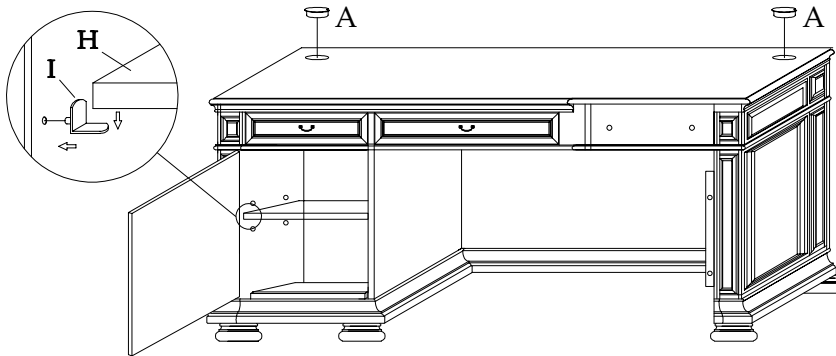


The levelers in the bottom of the bun feet can be adjusted to compensate for uneven flooring, if required.

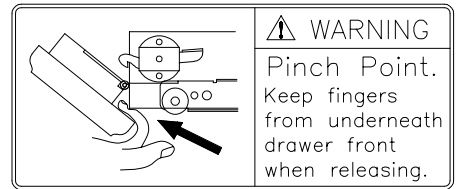
Made in China

Components and Hardware List

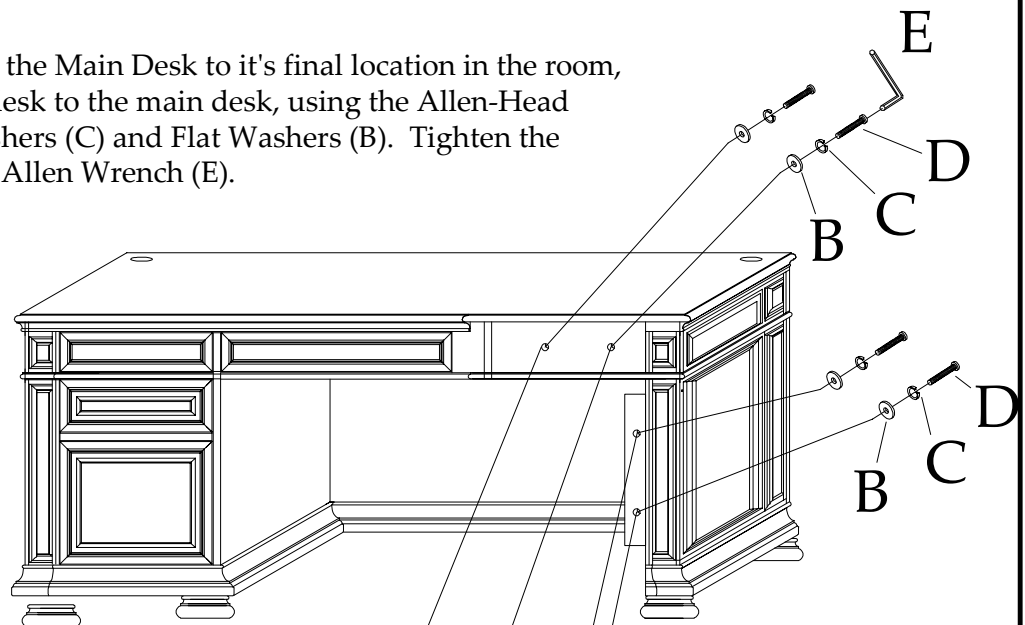
Step 7: Open the Door and insert Shelf Pins (I) into holes in side panels at the desired locations. Then place Wood Shelf (H) on the shelf pins.



44728 L Return Desk



Step 8: After moving the Main Desk to it's final location in the room, assemble the return desk to the main desk, using the Allen-Head Bolts (D), Spring Washers (C) and Flat Washers (B). Tighten the Allen Bolts using the Allen Wrench (E).



If moving this desk from one location to another in the room, always disconnect the two sections from each other to prevent undue stress on the furniture and the connectors.

