

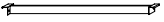
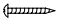
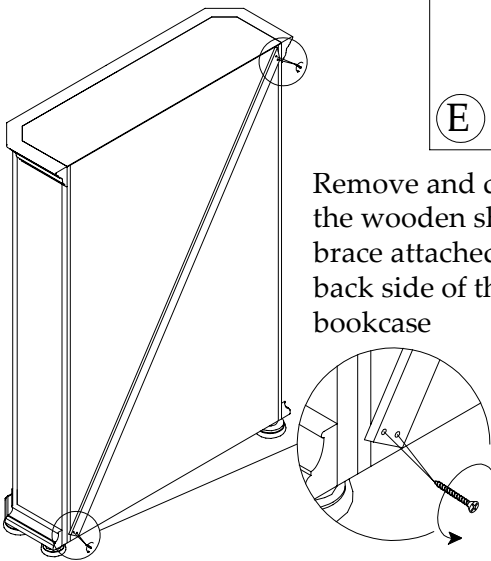


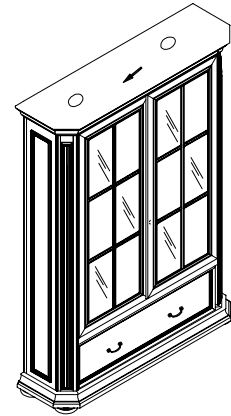


### Components and Hardware List

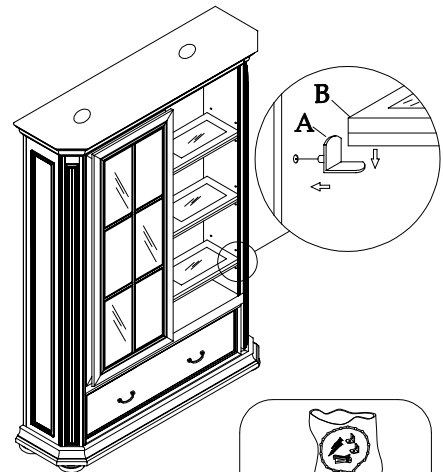
Shelf Pin  <b>A</b> 16 pcs.	Wood Shelf  <b>B</b> 4 pcs.	File Rod  <b>C</b> 2 pcs.	1/2" Wood Screw  <b>D</b> 4 pcs.
		Bun Foot W/ Leveler  <b>E</b> 4 pcs.	Tipping Restraint  <b>F</b> 2 pcs.



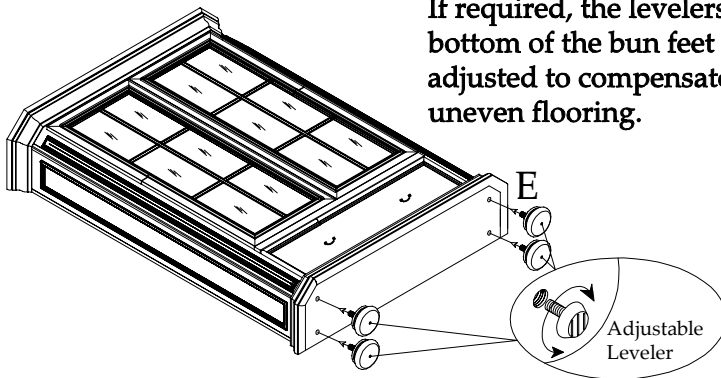
44734 Bookcase

Remove and discard the wooden shipping brace attached on the back side of the bookcase

The lights in the top are controlled with a touch-switch.



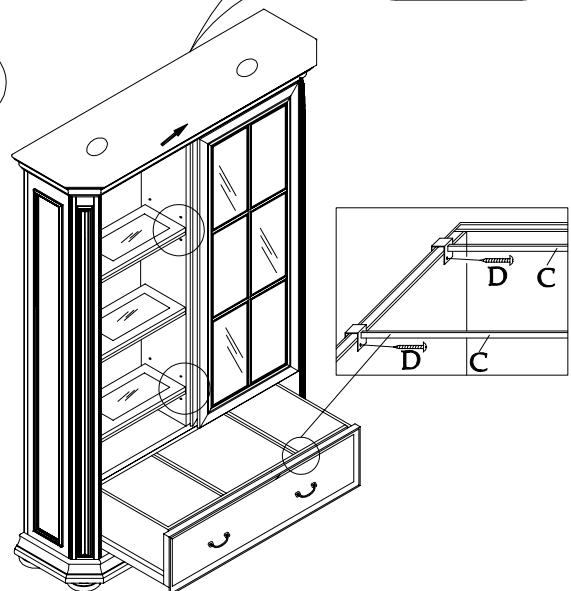
If required, the levelers in the bottom of the bun feet can be adjusted to compensate for uneven flooring.



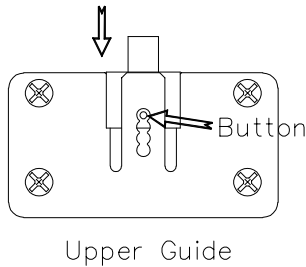
Tipping Restraint Hardware Kit (F) (Inside White Plastic Bag)

**WARNING!!!**  
RISK OF FIRE / INJURY / BURN TO PERSONS / PROPERTY. KEEP COMBUSTIBLES AWAY FROM LIGHTING FIXTURE. TURN OFF / UNPLUG TO CHANGE BULB. DO NOT TOUCH HOT BULB. DO NOT OPERATE LIGHT IF DAMAGED.

The File drawer may be set up to use either letter or legal size hanging file folders using the File Rods supplied. Attaching the File Rods to the drawer front and back using the wood screws is optional.

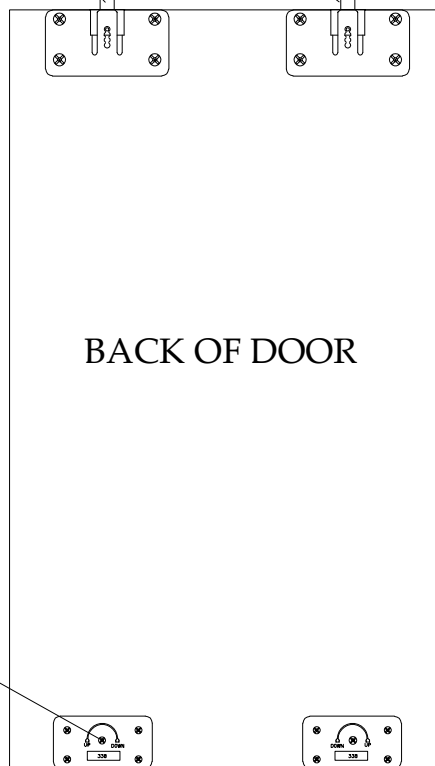


Install Left-Hand and Right-Hand sliding doors by placing the bottom guide rollers of the door onto the track installed in the shelf. Fix the top end by pressing in on the upper guide pin and pushing pin upward, with the pin going into the upper groove. Repeat for all door guides. Check for smooth operation and fit. If required, door "fit" can be modified by adjusting the cabinet levelers underneath the console. If further adjustment is required, the rollers on the bottom back of the doors can also be adjusted. Refer to Below Diagram



DOOR ALIGNMENT AND TRACKING CAN BE ADJUSTED BY TURNING THE ADJUSTMENT SCREW OF THE BOTTOM ROLLER PLATES TO MOVE THE TOP OF THE DOORS TO THE LEFT OR RIGHT AS REQUIRED SO THE DOORS ARE ALIGNED FROM TOP TO BOTTOM. ONLY VERY MINIMAL ROLLER ADJUSTMENT SHOULD BE NEEDED TO CORRECT ANY ALIGNMENT PROBLEMS. IF ENTIRE DOOR MUST BE MOVED EITHER UP OR DOWN, BOTH ROLLERS MUST BE ADJUSTED. THESE ADJUSTMENTS SHOULD ONLY BE PERFORMED BY EXPERIENCED FURNITURE REPAIR PERSONNEL.

ADJUSTING SCREW

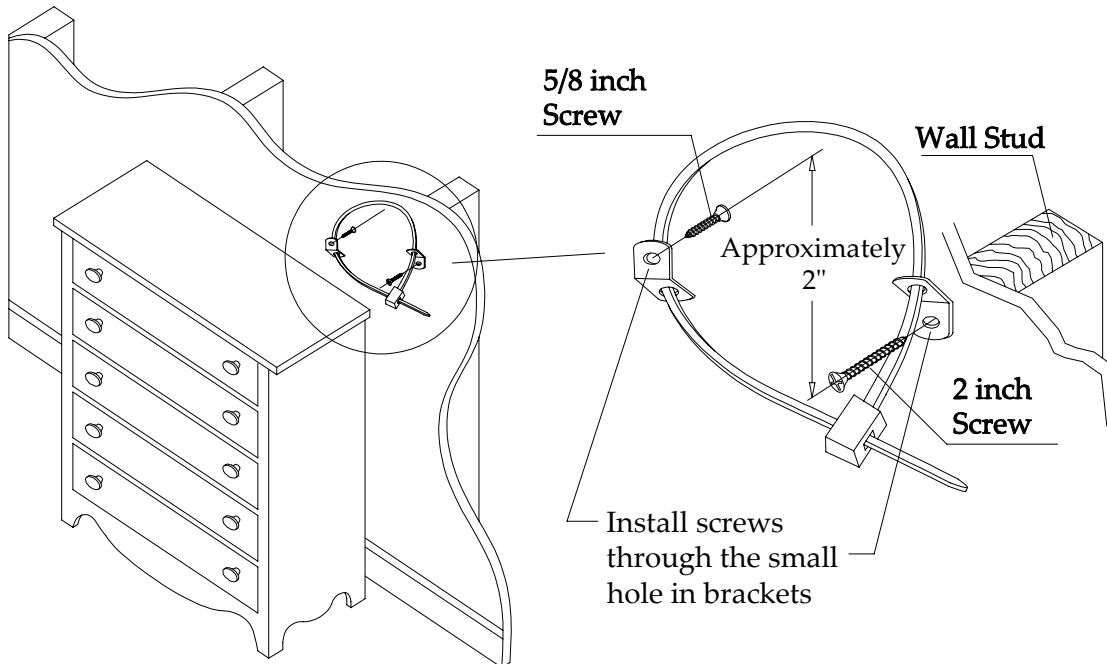


ADJUSTING THIS ROLLER DOWN WILL MOVE THE TOP OF THE DOOR TO THE RIGHT. ADJUSTING ROLLER UP WILL MOVE THE TOP OF THE DOOR TO THE LEFT.

ADJUSTING THIS ROLLER DOWN WILL MOVE THE TOP OF THE DOOR TO THE LEFT. ADJUSTING ROLLER UP WILL MOVE THE TOP OF THE DOOR TO THE RIGHT.

## Anti-Tip Hardware Installation Instructions

Notice: In homes where small children may be present, Riverside Furniture Corp. recommends that steps be taken for certain furniture items to prevent or minimize the risk of tip-over. This furniture is equipped with Tip-over Restraint Hardware for use to minimize this risk, if used. Please follow below installation steps. Riverside Furniture Corp. recommends that parents and guardians periodically visit the U.S. Consumer Product Safety Commission (CPSC) website at <http://www.cpsc.gov/> and stay up to date on all issues related to children's product safety.



1. Temporarily locate the furniture to near it's final location in the room next to a wall. Locate a wall stud behind your furniture and also mark the stud's location on the back of your furniture.
2. Firmly attach one bracket to the stud approximately 2" below the top of the furniture with the **2 inch long** Wood Screws provided. It may be necessary to drill 3/32 dia. pilot holes for the screws.
3. Firmly attach the other bracket onto a solid, structural part on the back of the furniture using the **5/8 inch long** Wood Screws. It may also be necessary to pilot bore for these screws.
4. Move the furniture into its final position, taking care to line up the wall bracket with the furniture bracket. Thread a strap through the bracket as shown in the illustration. Tighten strap until snug but do not over tighten.

Caution: Riverside Furniture Corp. assumes no liability for improper installation or excessive loads placed on screws, brackets or straps. Failure to detach this restraint before moving furniture may result in personal injury and property damage.

Warning: This tip-over restraint is not to be a substitute for proper adult supervision. Do not allow children to climb on furniture. Items left on top of the TV and furniture, such as toys, remote controls and treats might tempt young children to climb. Push the TV as far back as possible from the front of its stand. Place electrical cords out of a child's reach, and teach children not to play with the cords.

email: [info@riverside-furniture.com](mailto:info@riverside-furniture.com)

As the first step in you receiving a quality product, all lighting and electrical products installed in your furniture are checked at the factory before the furniture is packaged. Occasionally however, some connections do not stay firmly intact or other problems develop and the lights do fail to operate. To troubleshoot non-functioning electrical problems follow the steps listed below.

1. Beginning with the most obvious, make sure you have the electrical cord plugged into a working electrical outlet. If there is a wall switch that controls the electrical outlet the light is plugged into, be sure it is turned on.
2. Do any of the lights in your furniture work?
3. Locate the light switch and make sure it is turned on. We use different types of switches to control the lighting in our furniture; a push button, twist knob on-off with dimmer, or a touch switch on-off with dimmer.
  4. A: If a Push Switch is used, look for a small push button on-off switch, normally extending through the bottom side of the top panel of the furniture. Push on, Push off.
  - B: If a Twist Knob Switch is used, look for a small twist knob, normally extending through the bottom side of the top panel of the furniture. Twist on one direction, Twist the other direction for off.
  - C: If your cabinet is equipped with a three-stage Touch Switch, there may be a wire attached to a top door hinge, which is the touch point for the light. There could also be a metal button or other metal object normally mounted to the bottom side of the top panel, which could be the touch point for the light. The first three touches bring the light to low, medium, and high brightness. Touching the fourth time will turn the light off.
5. Be sure the light fixture is plugged into the switch mechanism. Usually this wiring is concealed in the top of the furniture. On touch dimmers, there is also a wire that goes to the hinge or touch button. Be sure it is connected to the switch box and to the touch point and if there is a connection between the hinge or touch button and switch box, make sure it is firmly connected together.
6. If the furniture has more than one light, verify that all the lights are connected.
7. Check sockets for damage and be sure the bulbs are installed properly. Test bulbs to see if they are good. See the precautions below for Halogen Bulbs. If the bulbs are bad, replace bulbs. Never use a bulb with a higher wattage than the fixture is designed for as indicated on a label or stamped onto the fixture.
8. In almost all instances if it is not the bulb, the problem is a malfunctioning switch or dimmer. Replace the switch or dimmer as required by the case.

Some of the lighting in our furniture is "hardwired together" meaning all connections are made at the factory and enclosed within the light fixture or within the switch box, etc. and are not consumer accessible or repairable. Sometimes the different components (lights or switches) use insulated connectors that are pushed or plugged into each other and are consumer accessible and can be checked if needed. If these are not firmly connected together this could cause a light not to function. All connectors should be checked to verify they are firmly connected.

### Handling Precautions of Halogen Bulbs

Any surface contamination, notably fingerprints, can damage the halogen bulb when it is heated. Contaminants will create a hot spot on the glass bulb surface when the bulb is turned on. Consequently, manufacturers recommend that halogen lamps should be handled without touching the clear glass, either by using a clean paper towel, cotton gloves or carefully holding the porcelain base. If the glass is contaminated in any way, it must be thoroughly cleaned with rubbing alcohol and dried before use.

### Safety of Halogen Bulbs

Halogen lamps get hotter than regular incandescent lamps because the heat is concentrated on a smaller bulb surface, and because the surface is closer to the filament. This high temperature is essential to their operation. Because the halogen lamp operates at very high temperatures, it can pose fire and burn hazards. Never operate a halogen lamp without the fixture's lens in place to prevent accidental burns or ignition of flammable objects coming into contact with the bulb, and to reduce the UV radiation exposure from the burning lamp.

Replacement bulbs are available at most home improvement or hardware stores.

*Before replacing halogen puck light bulb, unplug power cord from wall outlet to remove power to fixture.*

To replace bulb, twist lens cover counter-clockwise and lift off cover to remove.

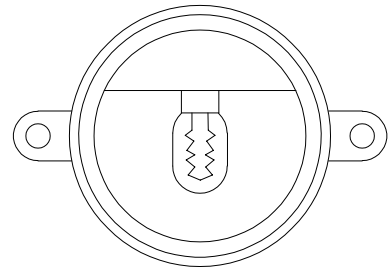
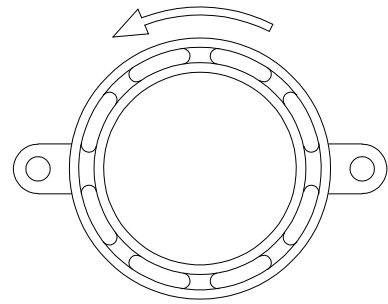
Grasp old bulb and pull straight out of socket.

Install new bulb by inserting pins firmly and fully back into socket. **DO NOT TOUCH NEW BULB WITH BARE FINGERS.**

Please see instructions.

Replace lens cover back on fixture and lock in position by twisting cover clockwise.

To remove lens cover



*Before replacing halogen task light bulb, unplug power cord from wall outlet to remove power to fixture.*

Using your Phillips screwdriver, loosen the two screws on each end of light fixture three to four turns each.

Slide the glass lens out from underneath brackets on the ends.

Grasp old bulb and pull straight out of socket.

Install new bulb by inserting pins firmly and fully back into socket. **DO NOT TOUCH NEW BULB WITH BARE FINGERS.**

Please see instructions.

Slide glass lens back in place underneath the brackets and retighten the four screws.

