

Components and Hardware List



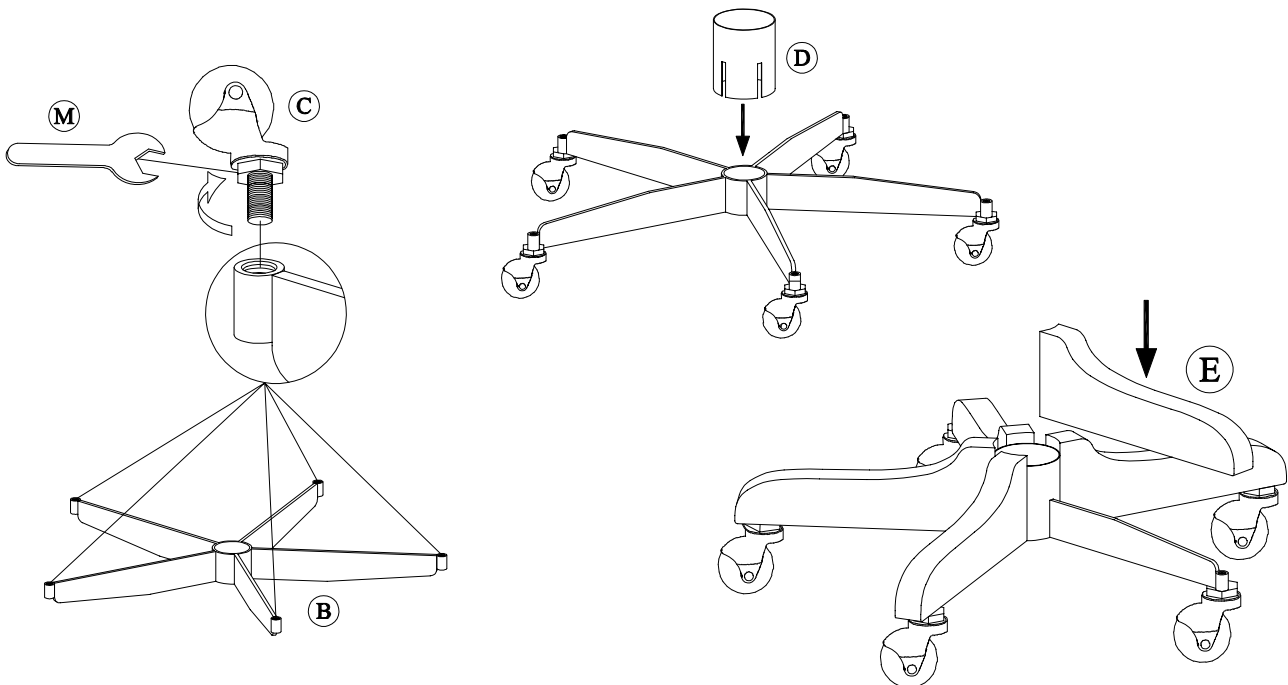
#32438
DESK CHAIR

DESK CHAIR TOP <p>A 1 pc.</p>	Metal Base <p>B 1 pc.</p>	Casters <p>C 5 pcs.</p>		
Metal Cover <p>D 1 pc.</p>	Wood Cover <p>E 5 pcs.</p>	Lift Cylinder <p>F 1 pc.</p>	Plastic Cover <p>G 1 pc.</p>	Chair Control <p>H 1 pc.</p>
M5/16" x 1-1/4" Allen Head Bolt <p>I 4 pcs.</p>	5/16" x 19mm Flat Washer <p>J 4 pcs.</p>	5/16" Spring Washer <p>K 4 pcs.</p>	5mm Allen Wrench <p>L 1 pc.</p>	Wrench 17mm <p>M 1 pc.</p>

Be sure to check all packing material carefully for small parts, which may have come loose inside the carton during shipment.

To prevent scratches or damage, the chair should be assembled on a soft surface such as a blanket or carpet.

- Step 1. Attach the Casters (C) to the Metal Base (B) and tighten with the Wrench (M).
- Step 2. Place the Metal Cover (D) on the Metal Base.
- Step 3. Attach the Wood Covers (E) on the legs of the Metal Base.



Step 4. Insert the Lift Cylinder (F) into the top of the Metal Base and place the Plastic Cover (G) over the Lift Cylinder.

Step 5. Attach the Chair Control (H) to the underneath side of the Chair Seat, using the Allen Head Bolts (I), Spring Washers (K) and Flat Washers (J). Tighten with the Allen Wrench (L). Note: The handle must be positioned to the right side of the chair.

The Control may be shipped in a LOCKED position. To unlock, pull the handle straight out from the seat to operate.

Turn the Chair Seat & Back upright and position on top of the Lift Cylinder and press down on the seat to secure.

To prevent possible damage to some types of flooring, never roll casters on hardwood or vinyl flooring. Use a Floor Protector under the chair.

