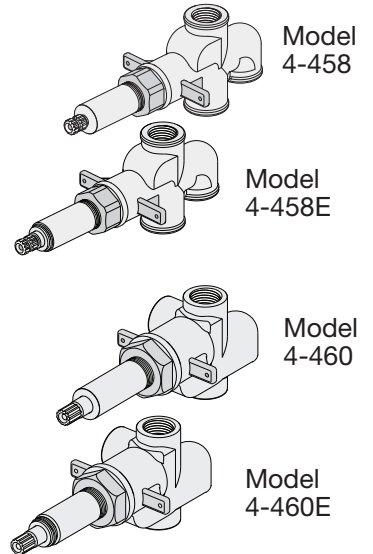




SYMMONS® Levertrol®

Diverter Valve 4-458 / 4-460 Series

Installation and Service Instructions



Model numbers

- 4-458....Dual outlet diverter valve
- 4-458E..Dual outlet diverter valve; includes spindle cartridge assembly for attaching dome cover
- 4-460....Triple outlet diverter valve
- 4-460E..Triple outlet diverter valve; includes spindle cartridge assembly for attaching dome cover

Installation Highlights

Note: These valves are diverter only valves that are used in combination with a mixing valve. They do not act as an ON/OFF and do not control the water temperature.

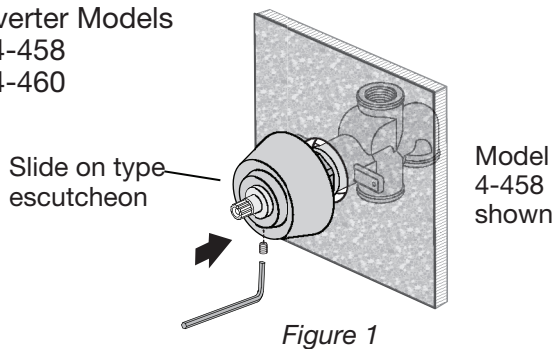
1. Flush the lines thoroughly before installation to ensure any debris is removed that could cause damage to the cartridge.
2. The inlet port is clearly marked with the letter **N** cast into the valve body.
3. Keep the plaster guard in place until the finished wall is complete.

Service

1. Remove handle and dome cover or escutcheon attached to end of diverter valve.
2. Remove cartridge assembly by using a deep socket 27 mm wrench to loosen and unscrew brass hex nut.
3. Slide cartridge assembly out and remove gasket / O-ring from diverter body.
4. Gently slide replacement cartridge assembly and gasket / O-ring into diverter body.
5. Reassemble the valve by reversing the above removal instructions
6. Check system for leaks.

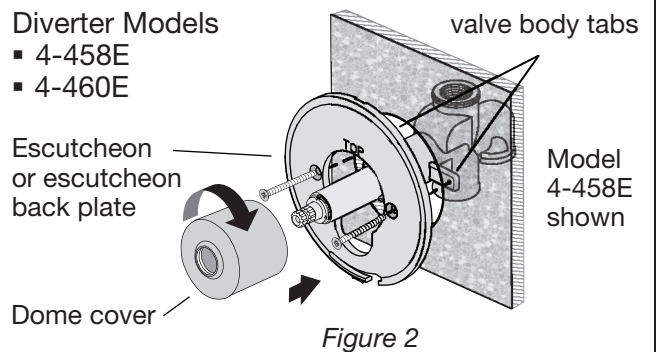
Diverter Models

- 4-458
- 4-460

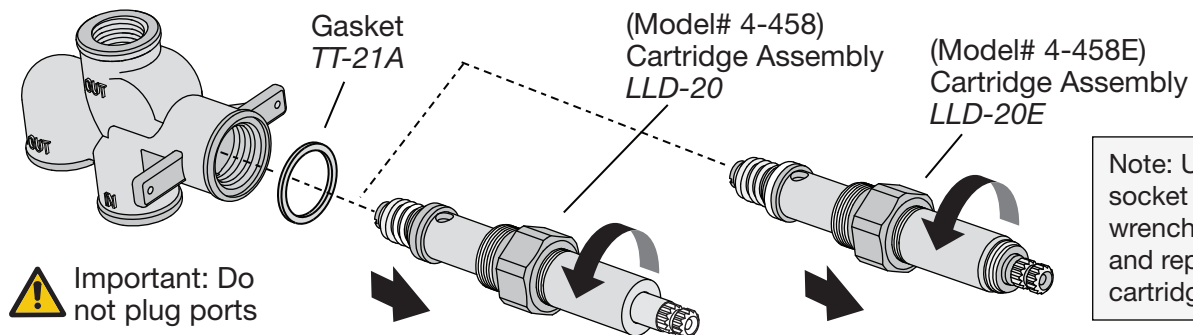



Diverter Models

- 4-458E
- 4-460E



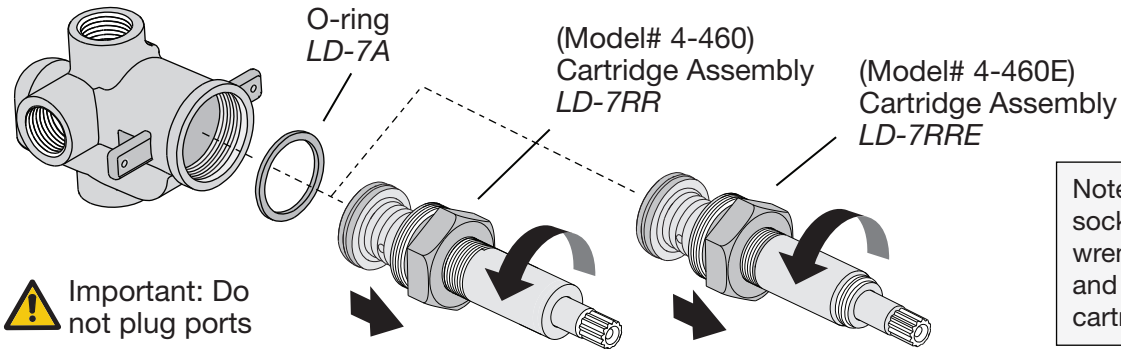
Parts Breakdown Levertrol Diverter, 4-458 / 4-458E



 Important: Do not plug ports

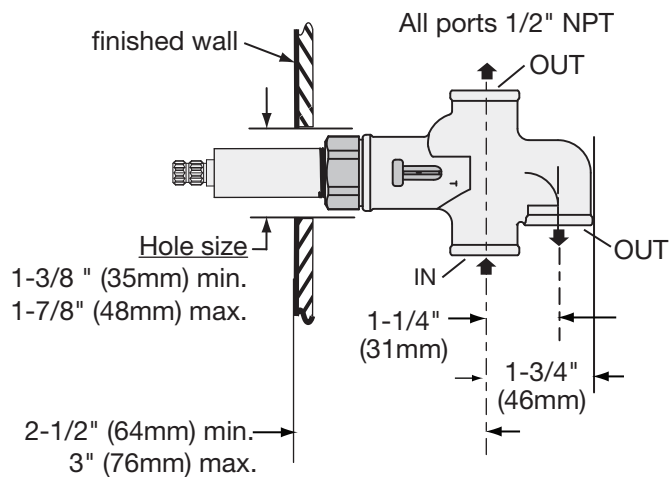
Note: Use a deep socket 1-1/8 inch wrench to remove and replace cartridge assembly.

Parts Breakdown Levertrol Diverter, 4-460 / 4-460E

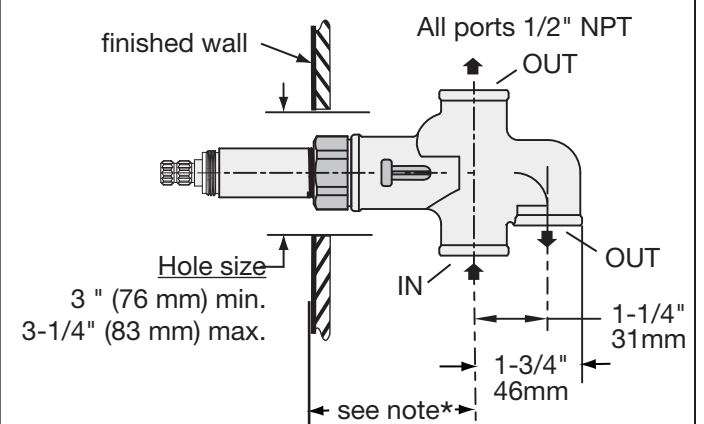


Dimensions Levertrol Dual Output Diverter, 4-458 / 4-458E

Diverter Model# 4-458



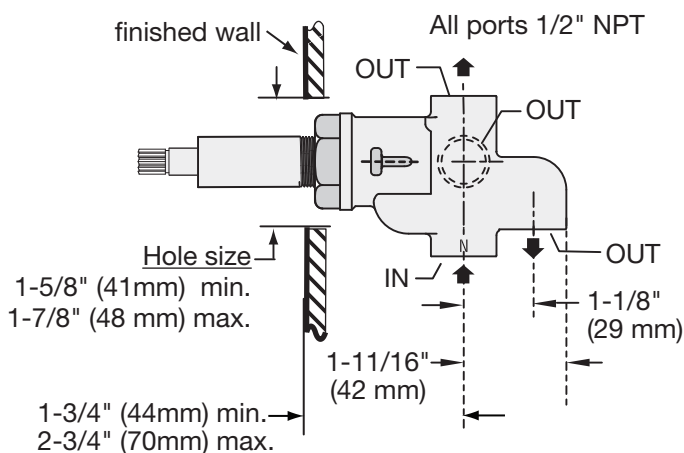
Diverter Model# 4-458E



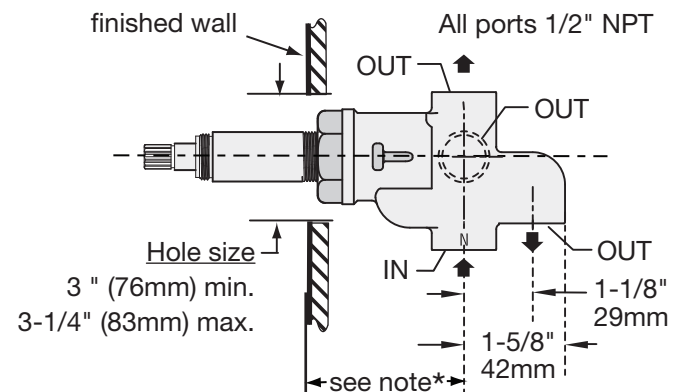
* Note: Figure is determined by style of trim attached to shower valve. See rough-in dimension drawing for shower valve application with diverter valve.

Dimensions Levertrol Triple Output Diverter, 4-460 / 4-460E

Diverter Model# 4-460



Diverter Model# 4-460E



* Note: Figure is determined by style of trim attached to shower valve. See rough-in dimension drawing for shower valve application with diverter valve.