

# SCOT<sup>®</sup>/METERING

Slow-Closing Omni-Temperature and Fixed Temperature Faucets



2" →  
51mm

1 3/8" →

*Symmons*<sup>®</sup>

# SCOT<sup>®</sup>...Born to Save

**On Water:**

As shown below, the SCOT faucet delivers 0.5 gpm for 30 seconds, for a total of 0.25 gallons. In the same time period, a standard faucet would deliver 1.1 gallons. That's a minimum savings of 0.6 gallons per comparable use. But of course there is no comparison. SCOT closes automatically and the cycle time can be set for less than 30 seconds for even greater savings, while the standard faucet could be left running.

**On Energy:**

Compared to fixed-temperature metering faucets, SCOT is an energy miser, because users can select cold water only. That means less hot water demand. Compared to standard metering faucets, SCOT's temperature selection can save countless gallons of hot water.

**On Waste Water:**

Where local sewage costs are predicated on the volume of water used as shown below, SCOT faucets (with flow rates 77% lower than standard faucets) can reduce such costs significantly.

**On Costly Additional Equipment:**

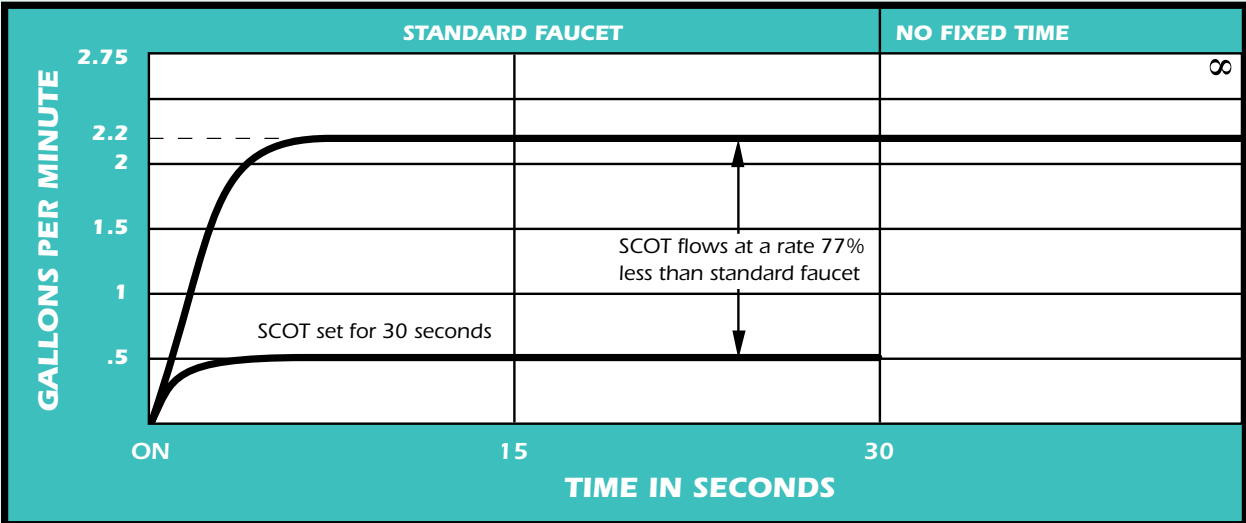
Unlike standard faucets or conventional metering faucets, SCOT does not require additional mixing valves upstream to supply tempered water at 110° F due to its limit stop.

**On Housekeeping:**

The hands-off closing feature of SCOT reduces the build-up of wet soap and other matter on its polished chrome finish... an important clean-up benefit for hotels and commercial applications.

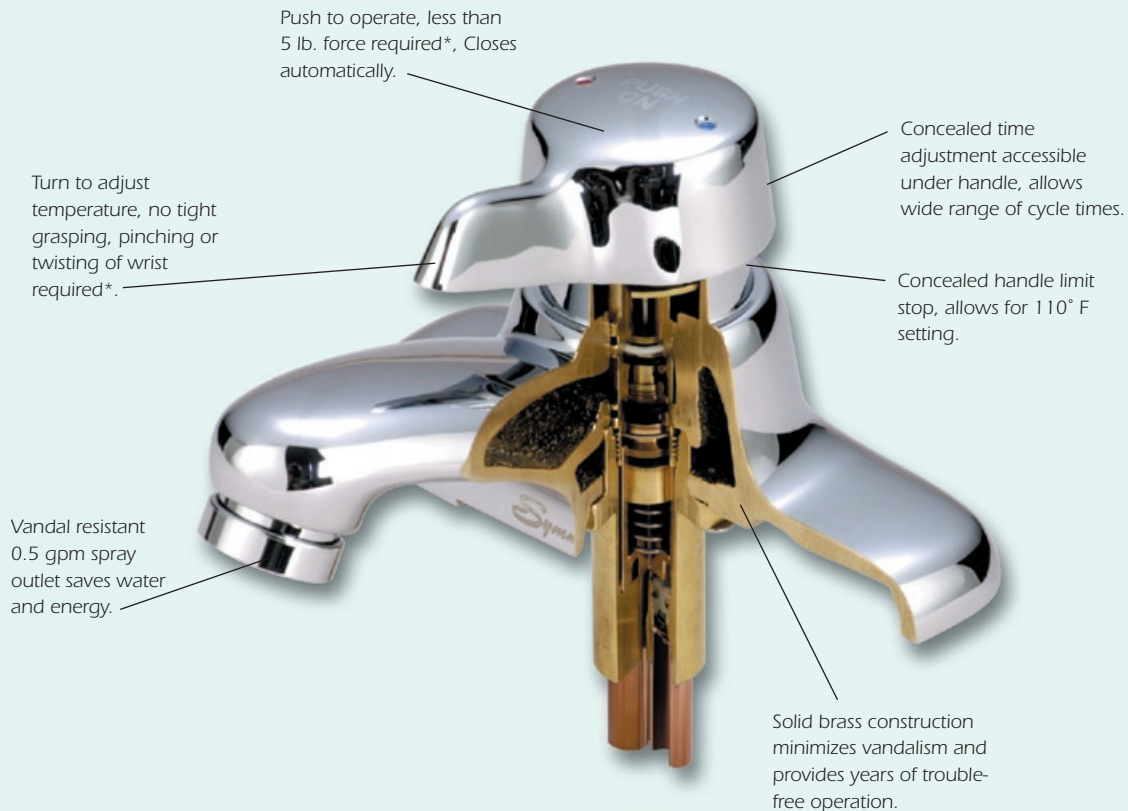
**On Your Next Project:**

Specify SCOT faucets and see how much you can save!



# SCOT<sup>®</sup>...Built to Last

The rugged design of our SCOT faucet features brass, bronze, and stainless steel functioning parts which are housed in a heavy-duty, cast brass body for maximum trouble-free performance. If your next project requires a durable metering faucet that is built to withstand the rigors of high use commercial or institutional projects, think SCOT, the faucet that's Built to Last.



## SCOT... for all users



\*The compliance guide of the Americans with Disabilities Act requires that controls be operable with one hand, not requiring tight grasping or twisting of the wrist, and capable of being activated with a force of five pounds or less. The SCOT faucet meets these requirements and is designed to accommodate those users who can only activate controls with a minimum of force.

# SCOT<sup>®</sup> Faucets

## with Temperature Selection



**S-60-G-H** SCOT metering/temperature selection lavatory faucet with blade type handle. Cast brass 4" centerset slow closing lavatory faucet to meter and mix hot and cold water supply. Temperature limit stop to adjust outlet temperature. Time limit stop to adjust flow time. Includes two (2) in-line check/screen assemblies. Spray outlet with 0.5 gpm flow rate. Vandal resistant. Grid strainer drain assembly.

**S-60-H** Faucet only



**S-60-P-H** SCOT metering/temperature selection lavatory faucet with blade type handle. Cast brass 4" centerset slow-closing lavatory faucet to meter and mix hot and cold water supply. Temperature limit stop to adjust outlet temperature. Time limit stop to adjust flow time. Includes two (2) in-line check/screen assemblies. Spray outlet with 0.5 gpm flow rate. Vandal resistant. Pop-up drain assembly.

**S-60-1-H** Faucet with lift rod only



**S-60-G-H-DP** SCOT metering/temperature selection lavatory faucet with blade type handle and adaptor plate drilled on 8" centers. Cast brass slow-closing lavatory faucet to meter and mix hot and cold water supply. Temperature limit stop to adjust outlet temperature. Time limit stop to adjust flow time. Includes two (2) in-line check/screen assemblies. Spray outlet with 0.5 gpm flow rate. Vandal resistant. Grid strainer drain assembly.

**S-60-H-DP** Faucet with adaptor plate only

**Modifications:** **Suffix A:** Standard aerator in place of spray outlet (standard aerator flow rate is 1.25 gpm at 50 psi) **Suffix OC:** Quick-closing feature ▪ **Suffix IPS:** 1/2" male IPS connections ▪ **Suffix STE:** Supply tube extensions (8" with compression couplings) ▪ **Suffix DP:** Adaptor plate for 8" center installations ▪ **Suffix G:** Grid strainer drain assembly **Suffix P:** Pop-up drain assembly ▪ **Suffix OFG:** Offset grid strainer

# Metering Faucets without Temperature Selection



**S-61-G** Metering faucet. Cast brass 4" centerset slow-closing lavatory faucet to meter a single tempered water supply. Time limit stop to adjust flow time. Includes in-line check/screen assembly. Spray outlet with 0.5 gpm flow rate. Vandal resistant. Grid strainer drain assembly.

**S-61-P** Metering faucet with pop-up drain assembly.

**S-61-1** Faucet with lift rod only

**S-61** Faucet only



**S-61-G-DP** Metering faucet with adaptor plate drilled on 8" centers. Cast brass slow-closing lavatory faucet to meter a single tempered water supply. Time limit stop to adjust flow time. Includes in-line check/screen assembly. Spray outlet with 0.5 gpm flow rate. Vandal resistant. Grid strainer drain assembly.

**S-61-DP** Faucet with adaptor plate only

## Conventional Faucet for use where Metering Faucet is not desired



Model shown with Suffix W

**S-20-2-G-FR** SYMMETRIX® 4" centerset single lever lavatory faucet. Lever handle with red/blue indicators. Spray outlet with 0.5 gpm flow rate. Vandal resistant. Grid strainer drain assembly.

**S-20-2-FR** Faucet with pop-up drain assembly.

**S-20-FR** Faucet only.

**Modifications:** **Suffix A:** Standard aerator in place of spray outlet (standard aerator flow rate is 1.25 gpm at 50 psi) **Suffix IPS:** 1/2" male IPS connections ▪ **Suffix DP:** Adaptor plate for 8" center installations (S-61 series only) ▪ **Suffix G:** Grid strainer drain assembly ▪ **Suffix P:** Pop-up drain assembly ▪ **Suffix OFG:** Offset grid strainer ▪ **Suffix W:** 6" long wrist operation handle with red/blue indicators (S-20 series only)

# Metering Faucets

## without Temperature Selection

- Solid brass and bronze construction provides durable performance in high use applications.
- Push to operate; Requires less than 5 lb. force to activate. Meets requirements of ANSI A-117.1 and the Americans with Disabilities Act (ADA).
- Vandal resistant design prevents damage and theft.
- Low flow 0.5 gpm (1.9 L/min.) vandal resistant spray outlet helps conserve water and energy. Provides full rate of flow throughout cycle .25 g/cycle (1.0 L/cycle).
- Concealed time adjustment accessible under cap allows cycle time to be accurately set to the needs of users.
- Replaceable brass cartridge allows for ease of repair.



**S-71-G** Single Post Metering faucet to meter a single cold, hot or tempered water supply. Adjustable time limit stop to adjust flow time. Vandal resistant 0.5 gpm spray outlet. Grid strainer drain assembly.

**S-71** Faucet only



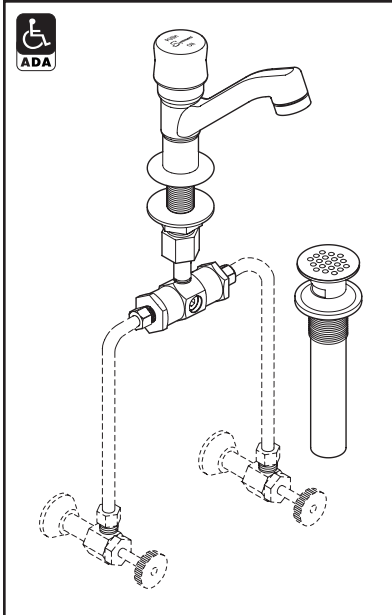
**S-72-G** Metering faucet with deck plate to accommodate 4" center, 3 hole mounting sink basins. Faucet to meter a single cold, hot or tempered water supply. Adjustable time limit stop to adjust flow time. Vandal resistant 0.5 gpm spray outlet. Grid strainer drain assembly.

**S-72** Faucet with deck plate only

**Modifications:** **Suffix A:** Standard aerator in place of spray outlet (standard aerator flow rate is 1.25 gpm at 50 psi) ▪ **Suffix OFG:** Offset grid strainer ▪ **Suffix C:** Cold marking on cap (S-71 Series) ▪ **Suffix H:** Hot marking on cap (S-71 Series) ▪ **Suffix OC:** Quick closing feature ▪ **Suffix NA:** Non-aerated laminar flow outlet ▪ **Suffix DP:** Adapter plate for 8" center installations

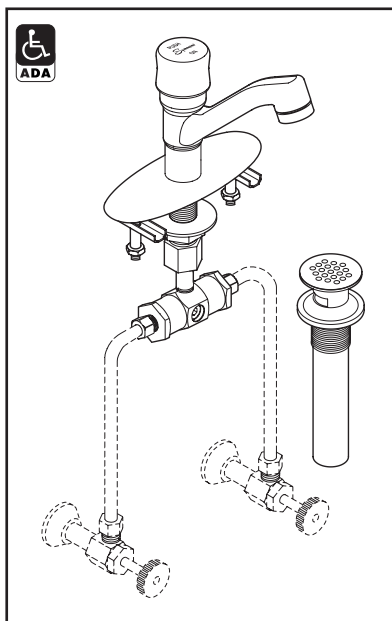


# Metering Faucets with Mechanical Mixing Valves



**S-73-G** Single Post Metering Faucet with adjustable mechanical mixing valve for tempered water supply. Adjustable time limit stop to adjust flow time. Vandal resistant 0.5 gpm spray outlet. Grid strainer drain assembly.

**S-73** Faucet and mechanical mixing valve only



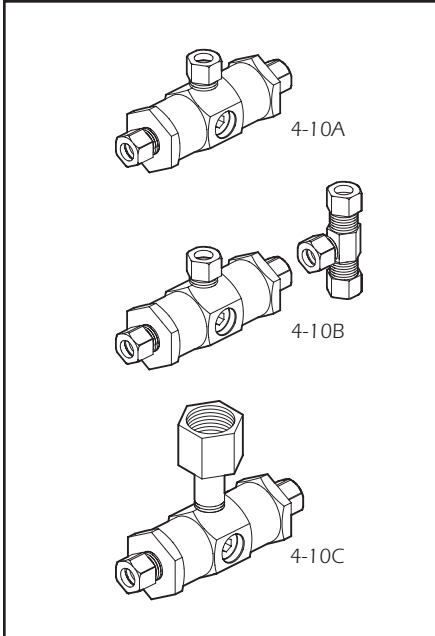
**S-74-G** Metering faucet with deck plate to accommodate 4" center 3 hole mounting sink basins. Includes mechanical mixing valve for adjustable tempered water supply. Adjustable time limit stop to adjust flow time. Vandal resistant 0.5 gpm spray outlet. Grid strainer drain assembly.

**S-74** Faucet with deck plate and mechanical mixing valve only

**Modifications:** **Suffix A:** Standard aerator in place of spray outlet (standard aerator flow rate is 1.25 gpm at 50 psi) ▪ **Suffix OFG:** Offset grid strainer ▪ **Suffix C:** Cold marking on cap (S-71 Series) ▪ **Suffix H:** Hot marking on cap (S-71 Series) ▪ **Suffix OC:** Quick closing feature ▪ **Suffix NA:** Non-aerated laminar flow outlet ▪ **Suffix DP:** Adapter plate for 8" center installations

# Mixing Valves

to supply tempered water to metering and conventional faucets



**Mechanical Mixing Valves** for tempered water supply to an individual faucet. Includes 3/8" compression connections and integral checks. Vandal resistant temperature adjustment. Chrome finish. Supply stops and piping to and from mechanical mixing valve not supplied.

**4-10A** To supply tempered water to a single supply faucet. 3/8" compression connections.

**4-10B** To supply tempered water to the hot inlet of a two supply faucet.

**4-10C** To supply tempered water to a single supply faucet. (2) 3/8" compression connections and (1) 1/2" IPS connection.



**Thermostatic Mixing Valve** for tempered water supply to an individual or group of faucets. Adjustable temperature with vandal resistant lockable handle feature.

**5-120-CK** THERMIXER™ Thermostatic Mixing Valve with 1/2" IPS connections (for bottom supplies) and separate checks. Flow rate 15 gpm @ 45 psi.

**5-110-CK** THERMIXER™ Thermostatic Mixing Valve with 3/8" compression connections checks. Flow rate 5 gpm @ 45 psi.

**Modifications:** **Suffix CK:** Separate checks (recommended to prevent by-pass when a Thermixer is installed with a downstream shut-off device) ▪ **Suffix CKX:** Separate check stops (5-120 only) ▪ **Suffix NI:** Rough chrome finish ▪ **Suffix SW:** Sweat connections (not available on 5-110) ▪ **Refer to THERMIXER catalog ZT-TMX-1 for additional models and information.**

The Symmons logo is written in a stylized, cursive font. The word "Symmons" is in a teal color, and a registered trademark symbol (®) is located at the end of the word.

SYMMONS INDUSTRIES, INC., 31 Brooks Drive, Braintree, Massachusetts 02184-3804  
Tel: 1-800-SYMMONS, (781) 848-2250 Fax: 1-800-961-9621, (781) 843-3849  
Website: [www.symmons.com](http://www.symmons.com)  
© 2002 Symmons Industries, Inc.