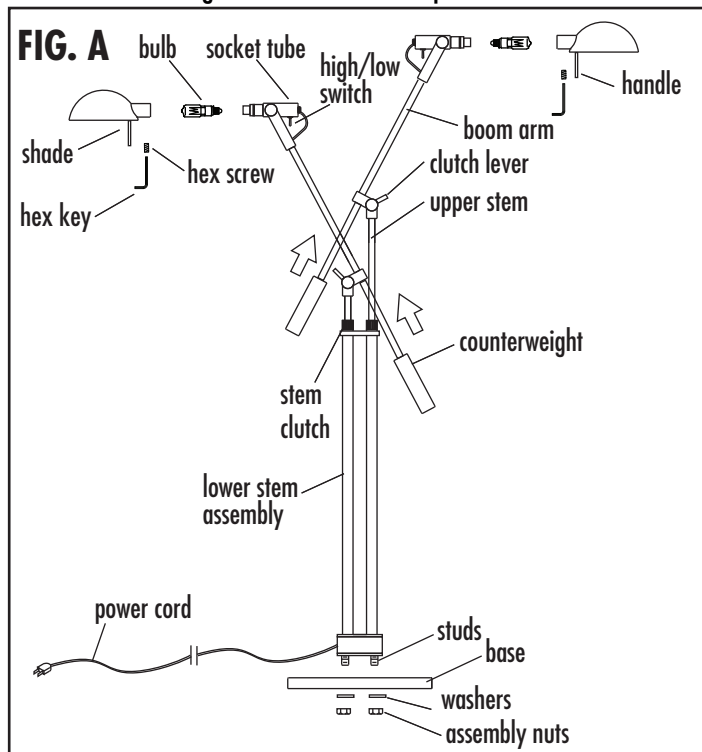


**Important: Always unplug the power cord before installing or replacing bulb and before cleaning or other maintenance.**

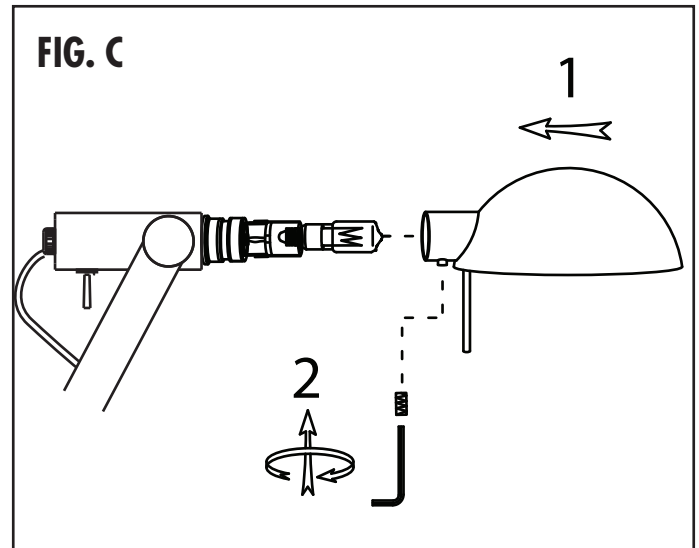
### LAMP ASSEMBLY

1. Insert the studs of lower stem assembly into holes in the base and secure with washers and assembly nuts. (Fig. A)
2. Screw counterweights on to threaded couplers of the boom arms.



### SHADE INSTALLATION (Fig. C)

1. Slide Shade Socket Tube. Make sure slot in Teflon Ring aligns with shade hole.
2. Secure Shade to Socket Tube by screwing in hex screw with hex key provided.

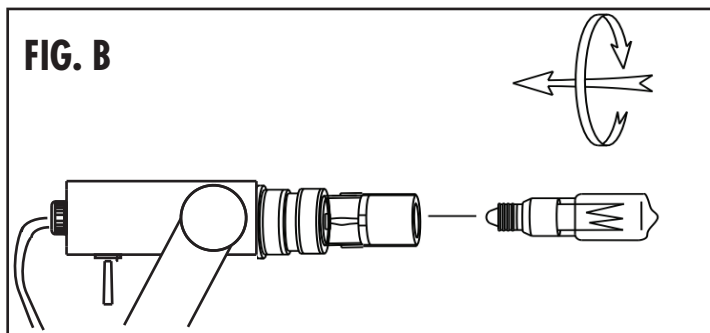


3. Plug in power cord. The High-Low Switch is located on the underside of the Socket Tube.

### BULB INSTALLATION/REPLACEMENT (Fig. B)

1. Remove bulb from box. Hold the bulb by the ceramic part or use protective cloth. Push in bulb while screwing it into the socket. The socket is spring loaded.

**NOTE: DO NOT TOUCH THE GLASS PART OF THE BULB WITH BARE HANDS.** Oil from fingerprints will reduce life of the bulb.

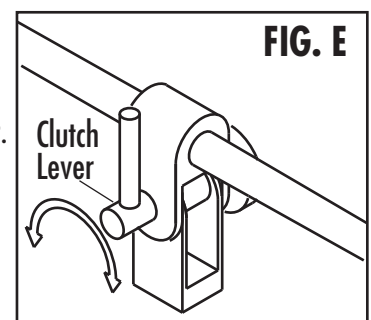


### HEIGHT ADJUSTMENT

- To increase height of lamp, loosen the Stem Clutch and carefully pull up on the Upper Stem. Tighten the Clutch once lamp is at desired height. (Fig. A)
- To decrease height of lamp, loosen the Stem Clutch and carefully push down on the Upper Stem. Tighten the Clutch once lamp is at desired height.

### BOOM ARM ADJUSTMENT

- To adjust boom arm, loosen Clutch Lever and set position. To lock position, tighten Lever. (Fig. E)



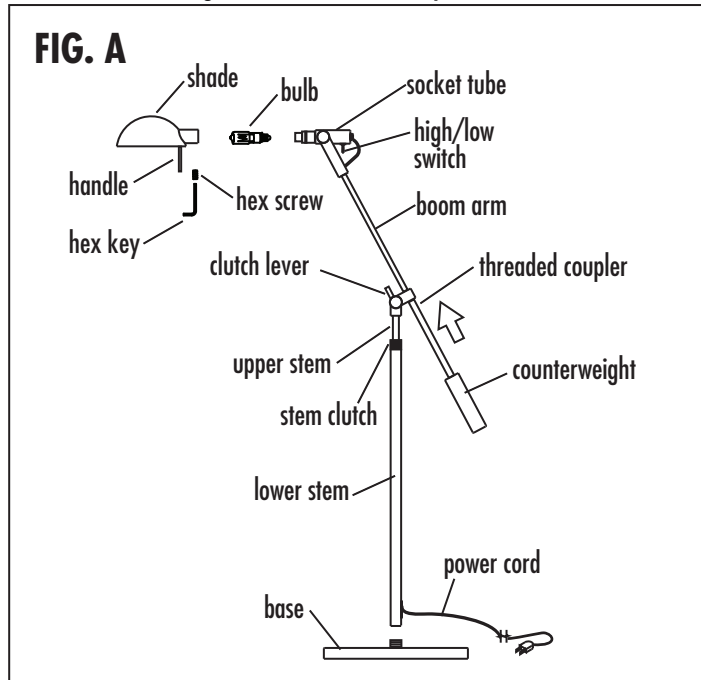
### Important Safety Instructions Lighted lamp is HOT!

1. Disconnect and allow to cool for at least 5 minutes before replacing bulb.
2. Bulb gets HOT quickly! Be sure power is off when re-lamping.
3. Do not touch hot enclosure.
4. Do not direct light at persons.
5. Do not look directly at lighted bulb.
6. Keep lamp away from curtains, draperies, and similar materials.
7. Use only a 120v, 75watt, mini can (E11) base, halogen bulb.
8. Do not touch bulb at any time. Use a soft cloth to clean. Oil from skin may damage bulb integrity.
9. Do not operate the lamp with damaged or missing shield.
10. Damaged shields should be replaced before lamp is used.

**Important: Always unplug the power cord before installing or replacing bulb and before cleaning or other maintenance.**

### LAMP ASSEMBLY

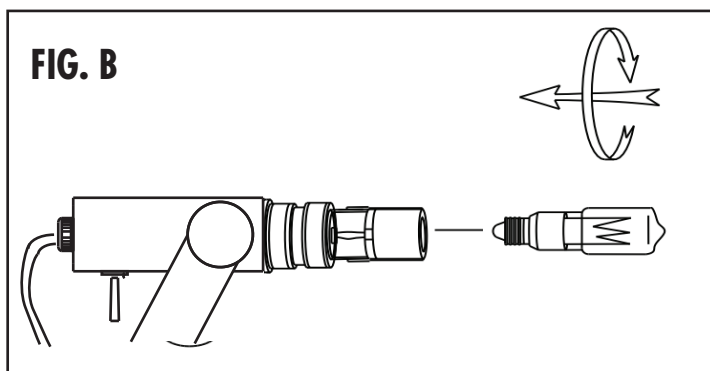
1. Insert the studs of lower stem assembly into holes in the base and secure with washers and assembly nuts. (Fig. A)
2. Screw counterweights on to threaded couplers of the boom arms.



### BULB INSTALLATION/REPLACEMENT (Fig. B)

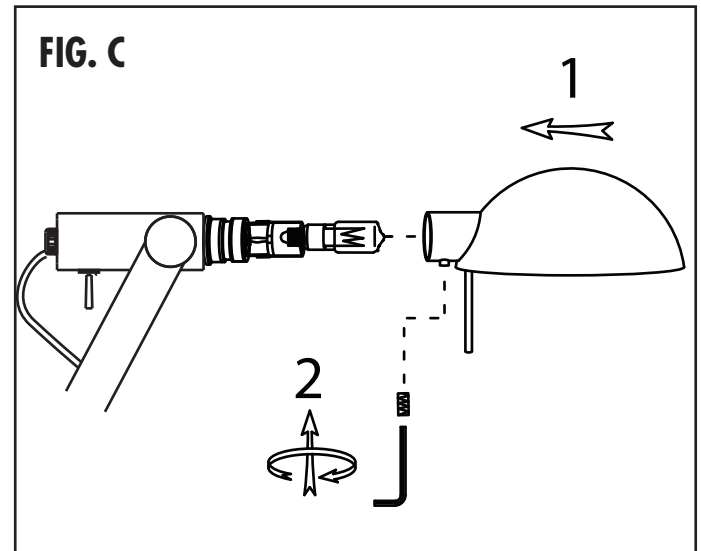
1. Remove bulb from box. Hold the bulb by the ceramic part or use protective cloth. Push in bulb while screwing it into the socket. The socket is spring loaded.

**NOTE: DO NOT TOUCH THE GLASS PART OF THE BULB WITH BARE HANDS.** Oil from fingerprints will reduce life of the bulb.



### SHADE INSTALLATION (Fig. C)

1. Slide Shade Socket Tube. Make sure slot in Teflon Ring aligns with shade hole.
2. Secure Shade to Socket Tube by screwing in hex screw with hex key provided.



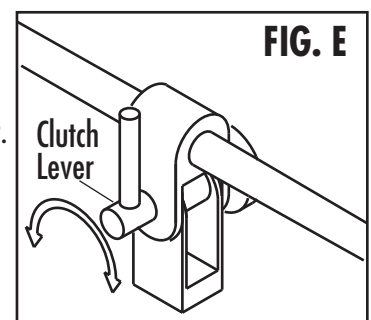
3. Plug in power cord. The High-Low Switch is located on the underside of the Socket Tube.

### HEIGHT ADJUSTMENT

- To increase height of lamp, loosen the Stem Clutch and carefully pull up on the Upper Stem. Tighten the Clutch once lamp is at desired height. (Fig. A)
- To decrease height of lamp, loosen the Stem Clutch and carefully push down on the Upper Stem. Tighten the Clutch once lamp is at desired height.

### BOOM ARM ADJUSTMENT

- To adjust boom arm, loosen Clutch Lever and set position. To lock position, tighten Lever. (Fig. E)



### Important Safety Instructions Lighted lamp is HOT!

1. Disconnect and allow to cool for at least 5 minutes before replacing bulb.
2. Bulb gets HOT quickly! Be sure power is off when re-lamping.
3. Do not touch hot enclosure.
4. Do not direct light at persons.
5. Do not look directly at lighted bulb.
6. Keep lamp away from curtains, draperies, and similar materials.
7. Use only a 120v, 75watt, mini can (E11) base, halogen bulb.
8. Do not touch bulb at any time. Use a soft cloth to clean. Oil from skin may damage bulb integrity.
9. Do not operate the lamp with damaged or missing shield.
10. Damaged shields should be replaced before lamp is used.