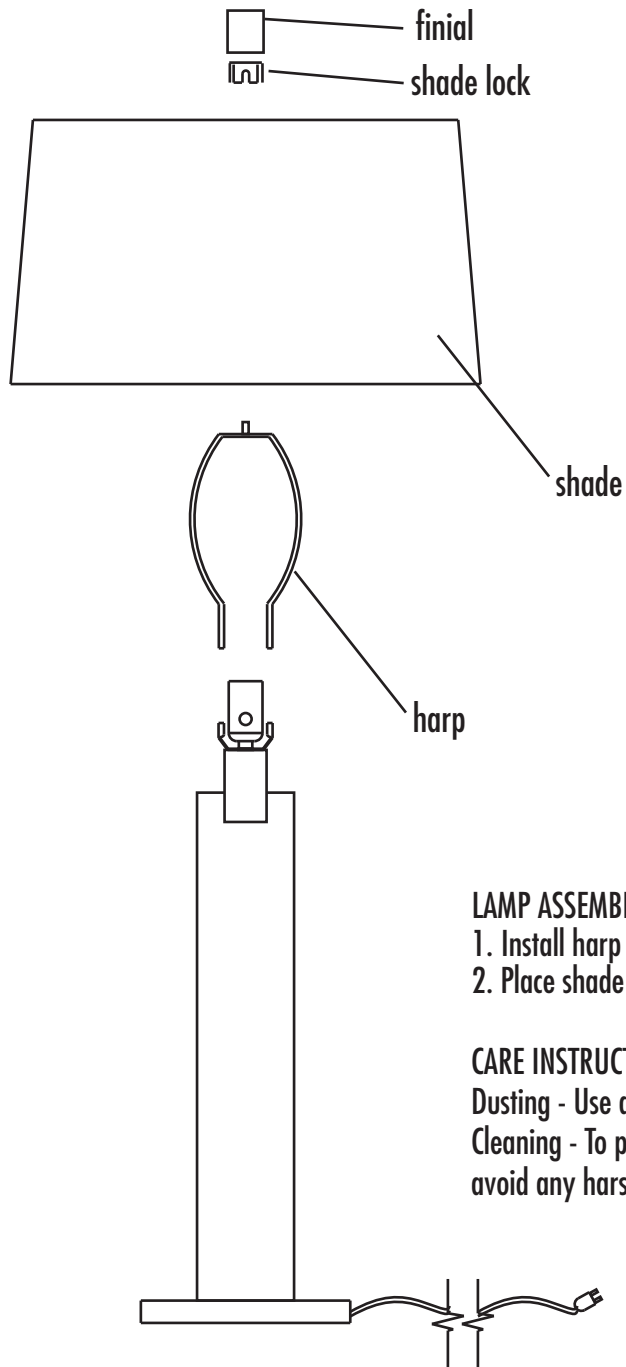


**Important: Always unplug the power cord before installing or replacing bulb and before cleaning or other maintenance.**



#### LAMP ASSEMBLY

1. Install harp on socket.
2. Place shade on harp and secure with shade lock and finial.

#### CARE INSTRUCTIONS

Dusting - Use a clean, dry cloth.  
Cleaning - To protect the finish,  
avoid any harsh abrasives or chemicals.