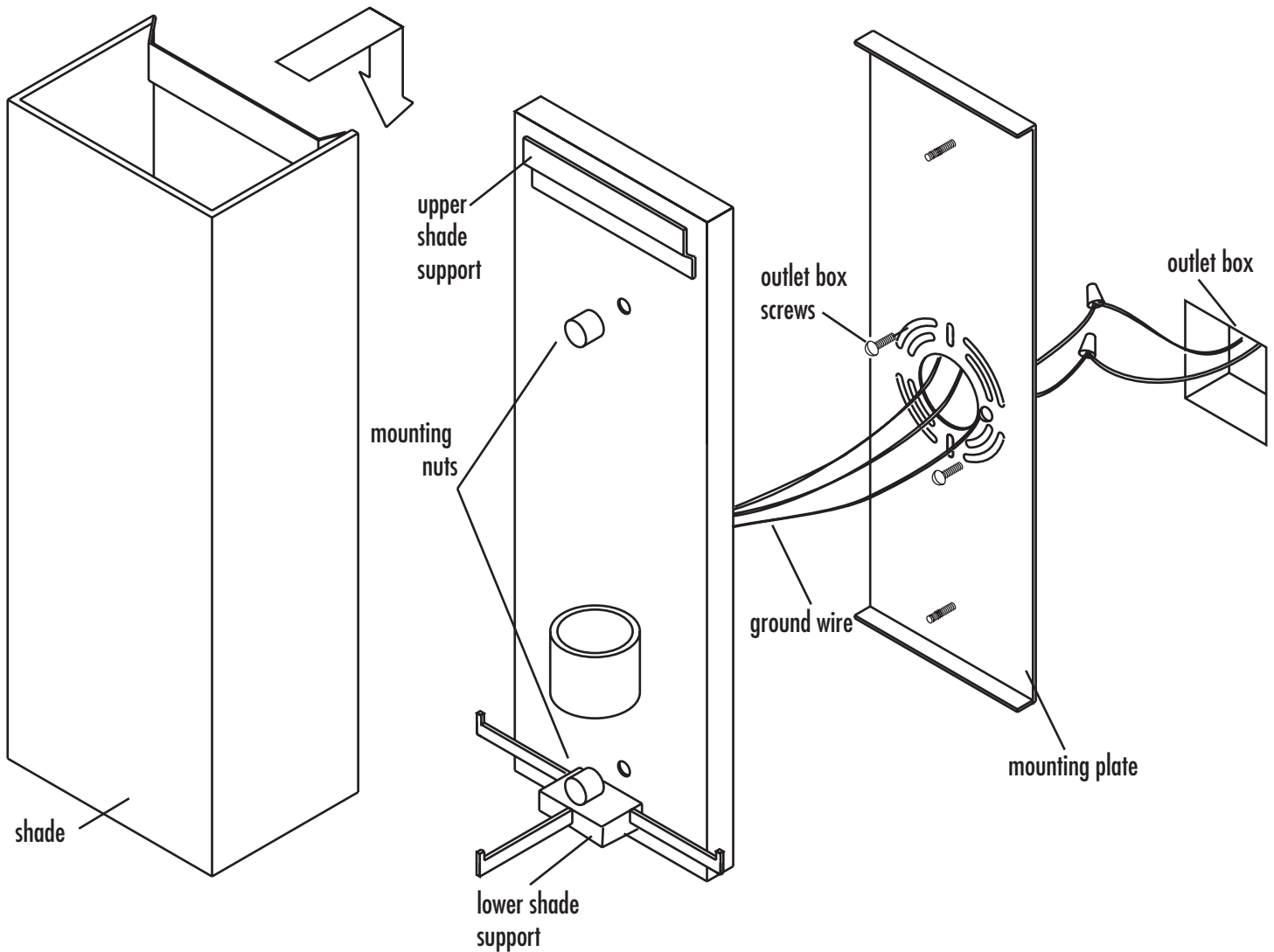


SONNEMAN[®]

A WAY OF LIGHT

Installation Instructions for: Boxus Series Sconce: 3353

This light should be installed by a licensed electrician



Assembly & Installation Instructions

1. Shut off power to outlet box.
2. Remove mounting plate from fixture.
3. Attach mounting plate to outlet box using outlet box screws.
4. Make appropriate electrical connections using wire nuts.
Connect the black fixture wire to black supply wire.
Connect white fixture wire to white supply wire.
If there is no green ground wire from the outlet box, connect the fixture ground wire to the mounting plate with the green screw provided.
5. Place connections in outlet box.
6. Attach canopy to mounting plate with the two mounting nuts.
7. Place shade over back plate and hook on to upper shade support.