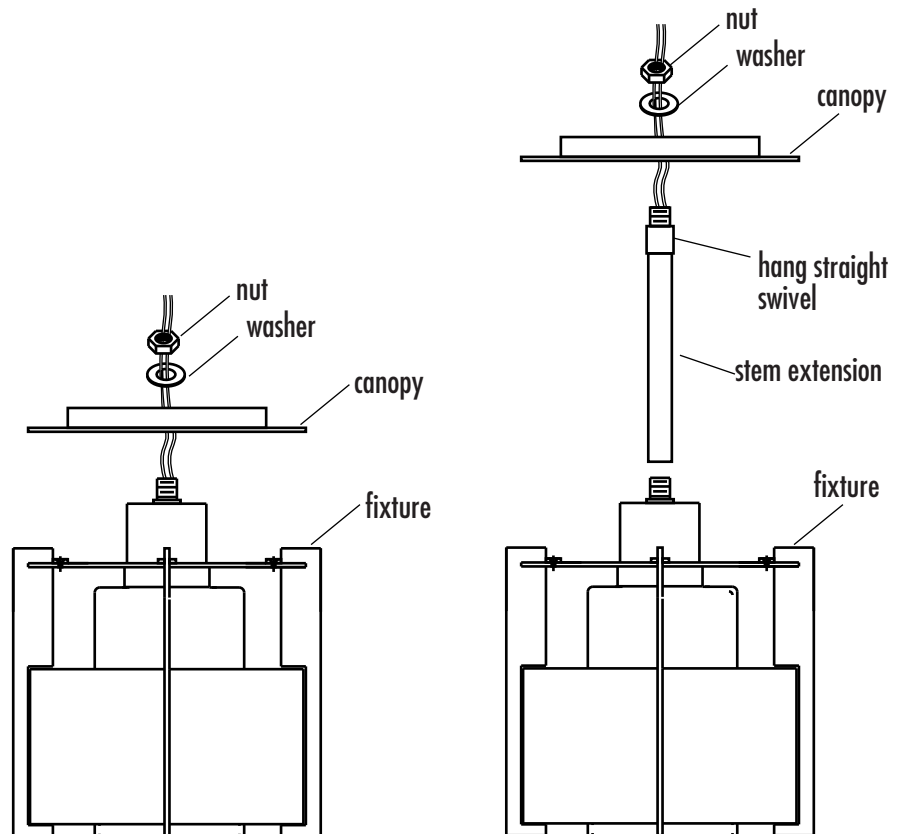
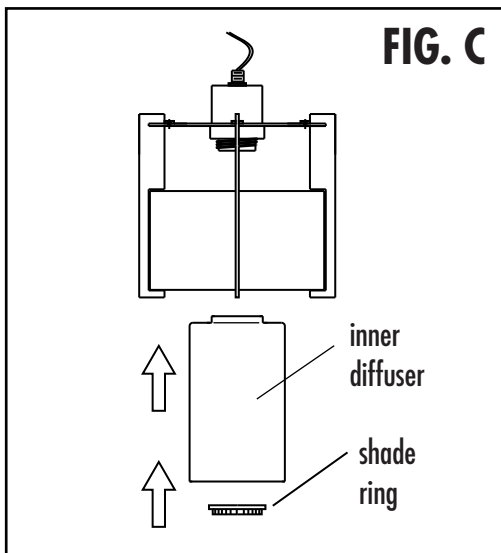
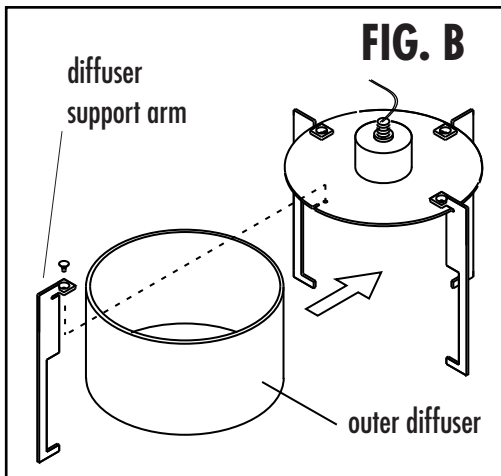
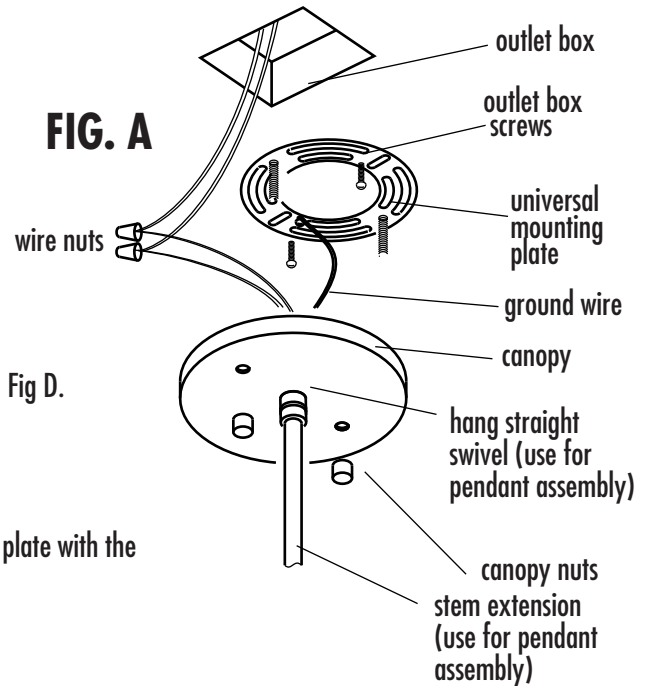


**This light should be installed
by a licensed electrician.**

LAMP INSTALLATION AND ASSEMBLY

1. Shut off power to the outlet box.
2. Attach the universal mounting plate to the outlet box using outlet box screws. (Fig. A)
3. Remove one diffuser support arm to insert outer diffuser. Re-attach support arm to secure diffuser. (Fig. B)
4. Install inner diffuser by securing with shade ring. (Fig. C)
5. If the fixture is to be a surface mount, then assemble canopy to fixture as shown in Fig D.
6. If the fixture is to be a pendant, then assemble the canopy with extension stems and hang straight swivel as shown in Fig. E
7. Make appropriate electrical connections using wire nuts. If there is no green ground wire from the outlet box, then connect the fixture wire to the mounting plate with the green screw provided. Place connections in outlet box. (Fig. A)
8. Attach canopy over outlet box with canopy nuts.
9. Install bulb.
10. Restore power to fixture.



**FIG. D
Surface Mount**

**FIG. E
Pendant**