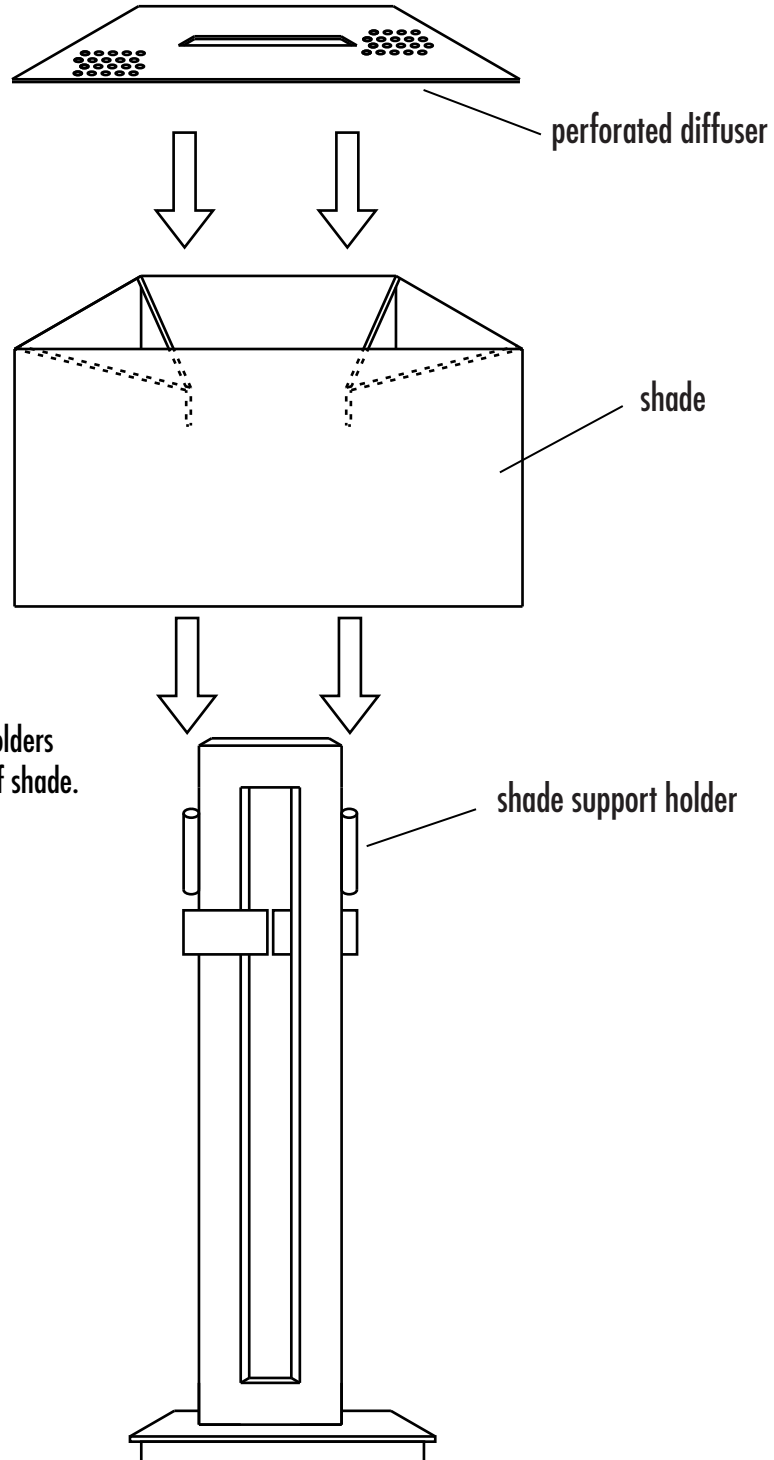


**Important: Always unplug the power cord before installing or replacing bulb and before cleaning or other maintenance.**



**Assembly Instructions**

1. Insert shade into shade support holders
2. Place perforated diffuser on top of shade.