

Important: Always disconnect the power before installing or replacing bulb and before cleaning or other maintenance.

This light should be installed by a licensed electrician

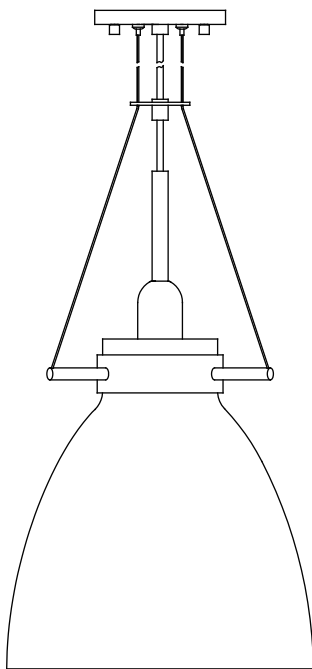
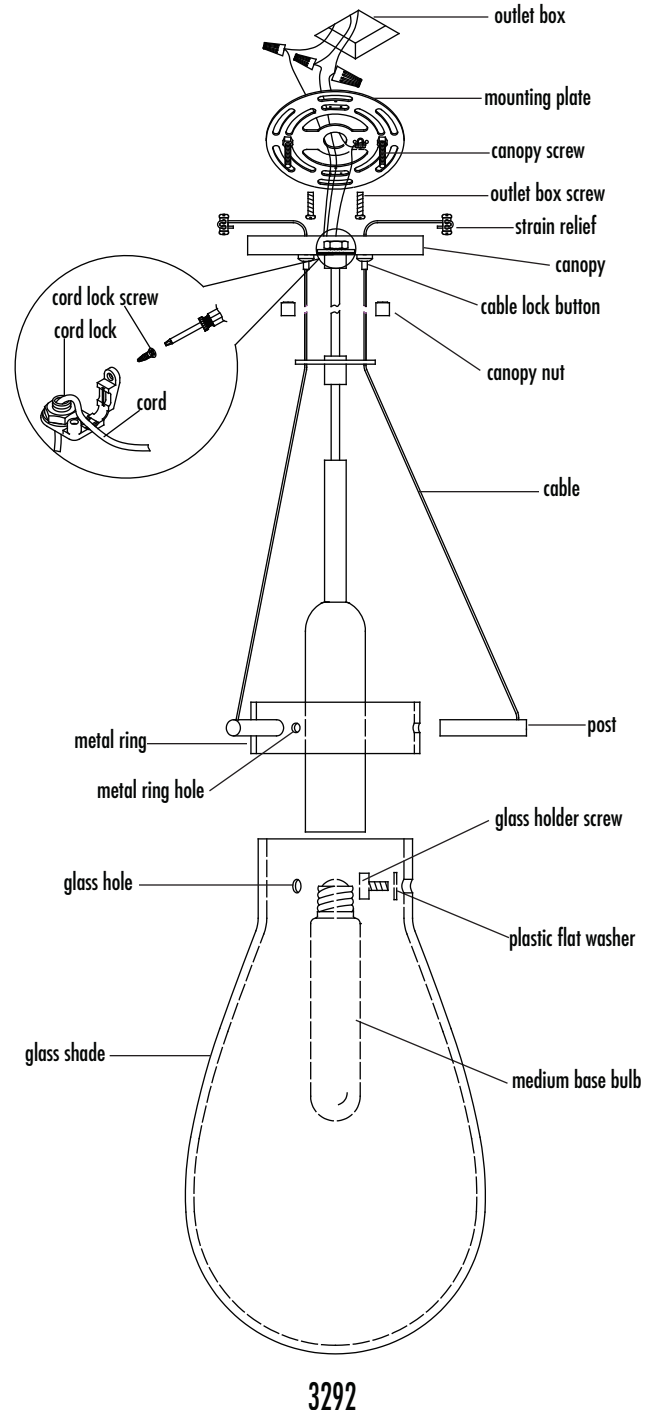
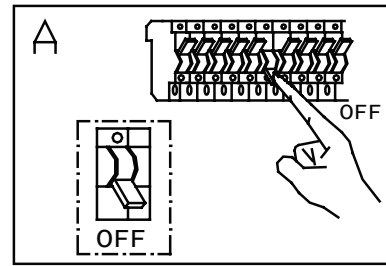
LAMP INSTALLATION AND ASSEMBLY

1. Shut off power to the outlet box. (fig. A)
2. Attach the mounting plate to the outlet box using outlet box screws.
3. Install 60W medium base bulb. (not included)
4. Attach metal ring to glass by aligning metal ring holes to glass holes. Insert glass holder screws with plastic flat washers, and screw to posts.
5. Loosen the cord lock to adjust the length of the cord. Push the cable lock button to adjust length of cable. Be sure to tighten the strain relief and cord lock once desired length is obtained.
6. Make appropriate electrical connections using wire nuts:
 - a. Connect the fixture's live wire (black) to the live outlet box wire.
 - b. Connect the fixture's neutral wire (white) to the neutral outlet box wire.
 - c. Connect fixture's ground wire (green or uncoated) to the ground outlet box wire. If no ground is present in outlet box, connect fixture's ground wire to the mounting plate using the green screw (included).
 - d. Carefully place connections in outlet box.
7. Attach canopy to mounting plate with canopy nuts.
8. Restore power to the fixture.

CARE INSTRUCTIONS

Dusting – Use a clean, dry cloth.

Cleaning – To protect the finish, avoid any harsh abrasives or chemicals.



3294

3292